

DO NOT SCALE DRAWING

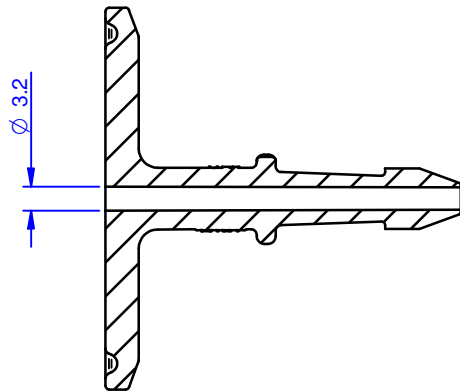
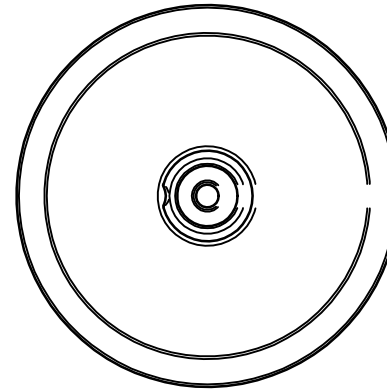
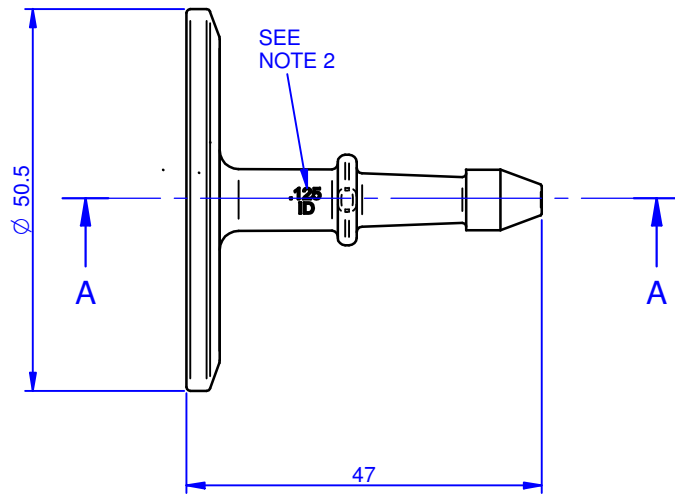
IF IN DOUBT - ASK

3rd ANGLE PROJECTION

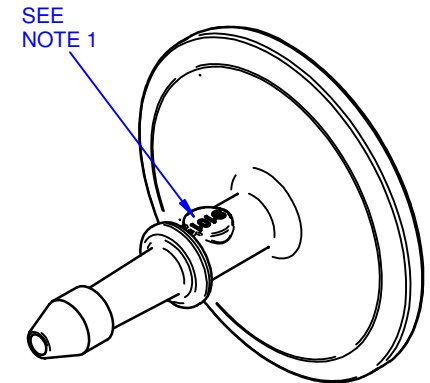
DRAWING NUMBER

PP100/150TC0125BB-CD

ISSUE	DESCRIPTION	DATE
B	RIBS REMOVED	22/10/07



SECTION A-A



NOTES:

1. BATCH CODE TO BE MOULDED ON PART IN THIS AREA.
2. COMPONENT SIZE IDENTIFICATION TO MOULDED IN THIS POSITION.
3. NO FLASH OR IMPERFECTIONS PERMISSABLE ON FRONT EDGE OF BARB.
4. PART TO BE MANUFACTURED IN CLEANROOM ENVIROMENT.
5. FLANGE DETAIL TO CONFORM TO RELEVANT ISO, BS & DIN STANDARDS

© COPYRIGHT

This drawing and its associated design is the property of Bio-Pure Technology Ltd & may not be copied or used for any purpose other than that for which it is supplied, without the express written authority of Bio-Pure Technology Ltd

DIMENSIONS IN MILLIMETERS

TOLERANCES UNLESS STATED
 0 DEC PLACE +/- 0.5
 1 DEC PLACE +/- 0.25
 2 DEC PLACES +/- 0.10
 ANGULAR +/- 0.5 DEG

MATERIAL AND SPECIFICATION

PP Natural
 Borealis HD810MO

DRAWN BY

MJF

CHECKED BY

PJR

DATE

22/10/07

APPROVED BY

RM

FINISH

CLEAN

SCALE

1:1

BioPure Technology
 7 Falcon Court, Denmead, Hants, PO7 6BZ England
 Tel: +44 (0) 2392 499000 Fax: +44 (0) 2392 499001
 Email. sales@biopuretech.com
 Web. www.biopuretech.com

TITLE

**BIOBARB
 LARGE FLANGE x 0.125**

PART No:

PP100/150TC0125BB

DO NOT SCALE DRAWING

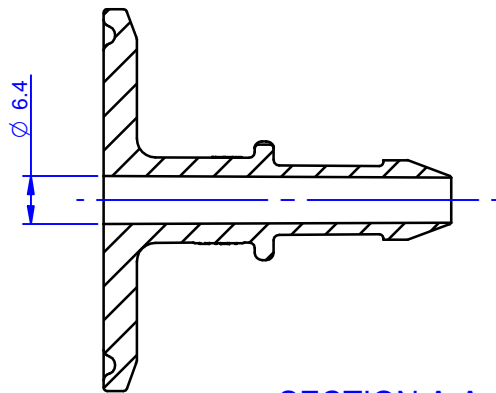
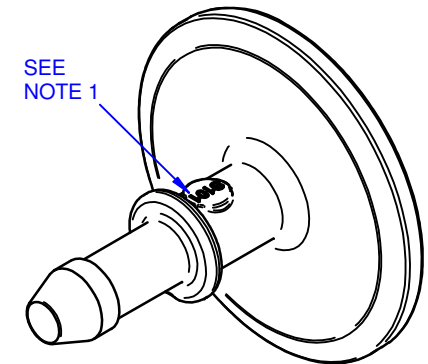
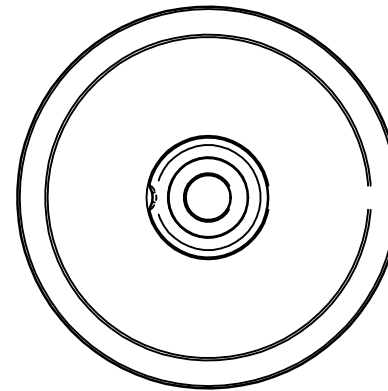
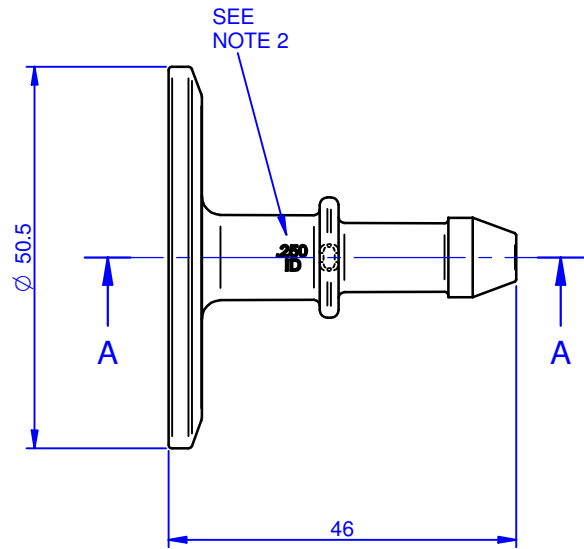
IF IN DOUBT - ASK

3rd ANGLE PROJECTION 

DRAWING NUMBER

PP100/150TC0250BB-CD

ISSUE	DESCRIPTION	DATE
B	RIBS REMOVED	22/10/07



SECTION A-A

NOTES:

1. BATCH CODE TO BE MOULDED ON PART IN THIS AREA.
2. COMPONENT SIZE IDENTIFICATION TO MOULDED IN THIS POSITION.
3. NO FLASH OR IMPERFECTIONS PERMISSABLE ON FRONT EDGE OF BARB.
4. PART TO BE MANUFACTURED IN CLEANROOM ENVIROMENT.
5. FLANGE DETAIL TO CONFORM TO RELEVANT ISO, BS & DIN STANDARDS

© COPYRIGHT

This drawing and its associated design is the property of Bio-Pure Technology Ltd & may not be copied or used for any purpose other than that for which it is supplied, without the express written authority of Bio-Pure Technology Ltd

DIMENSIONS IN MILLIMETERS

TOLERANCES UNLESS STATED
 0 DEC PLACE +/- 0.5
 1 DEC PLACE +/- 0.25
 2 DEC PLACES +/- 0.10
 ANGULAR +/- 0.5 DEG

MATERIAL AND SPECIFICATION

PP Natural
 Borealis HD810MO

DRAWN BY

MJF

CHECKED BY

PJR

DATE

22/10/07

APPROVED BY

RM

FINISH

CLEAN

SCALE

1:1

BioPure Technology
 7 Falcon Court, Denmead, Hants, PO7 6BZ England
 Tel: +44 (0) 2392 499000 Fax: +44 (0) 2392 499001
 Email. sales@biopuretech.com
 Web. www.biopuretech.com

TITLE

**BIOBARB
 LARGE FLANGE x 0.250**

PART No:

PP100/150TC0250BB

DO NOT SCALE DRAWING

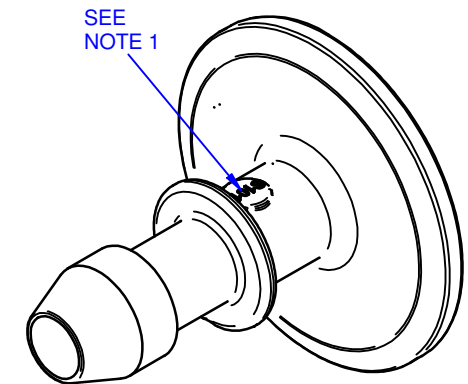
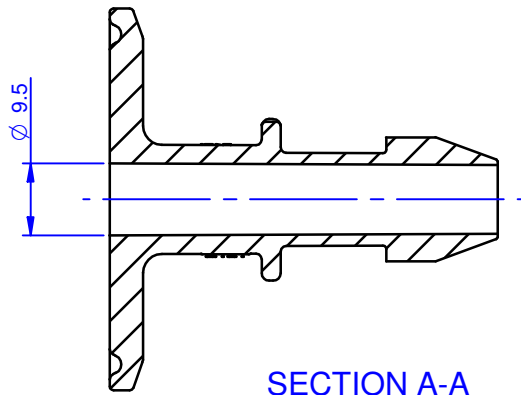
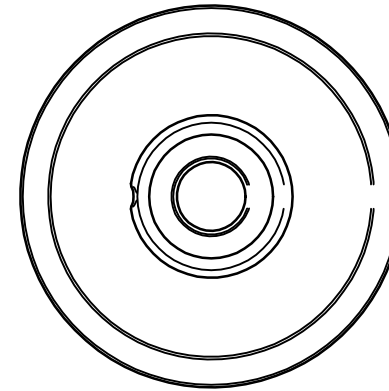
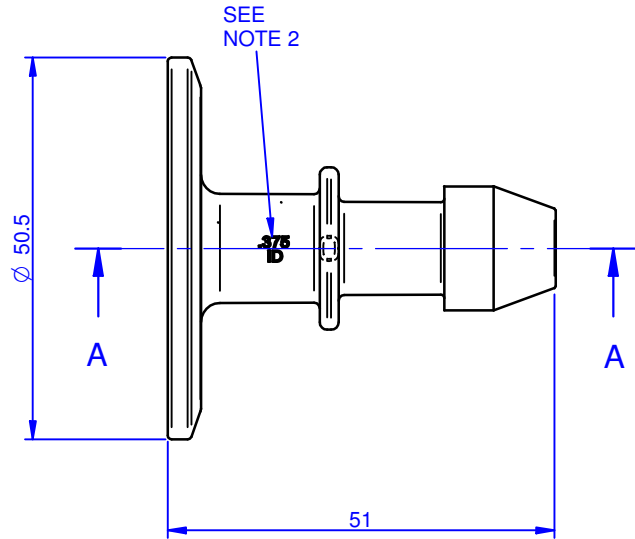
IF IN DOUBT - ASK

3rd ANGLE PROJECTION 

DRAWING NUMBER

PP100/150TC0375BB-CD

ISSUE	DESCRIPTION	DATE
B	RIBS REMOVED	22/10/07



NOTES:

- BATCH CODE TO BE MOULDED ON PART IN THIS AREA.
- COMPONENT SIZE IDENTIFICATION TO MOULDED IN THIS POSITION.
- NO FLASH OR IMPERFECTIONS PERMISSABLE ON FRONT EDGE OF BARB.
- PART TO BE MANUFACTURED IN CLEANROOM ENVIRONMENT.
- FLANGE DETAIL TO CONFORM TO RELEVANT ISO, BS & DIN STANDARDS

© COPYRIGHT

This drawing and its associated design is the property of Bio-Pure Technology Ltd & may not be copied or used for any purpose other than that for which it is supplied, without the express written authority of Bio-Pure Technology Ltd

DIMENSIONS IN MILLIMETERS

TOLERANCES UNLESS STATED
 0 DEC PLACE +/- 0.5
 1 DEC PLACE +/- 0.25
 2 DEC PLACES +/- 0.10

ANGULAR +/- 0.5 DEG

MATERIAL AND SPECIFICATION

PP Natural
 Borealis HD810MO

DRAWN BY

MJF

CHECKED BY

PJR

DATE

22/10/07

APPROVED BY

RM

FINISH

CLEAN

SCALE

1:1

BioPure
 Technology
 7 Falcon Court, Denmead, Hants, PO7 6BZ England
 Tel: +44 (0) 2392 499000 Fax: +44 (0) 2392 499001
 Email: sales@biopuretech.com
 Web: www.biopuretech.com

TITLE

BIOBARB
LARGE FLANGE x 0.375

PART No:

PP100/150TC0375BB

DO NOT SCALE DRAWING

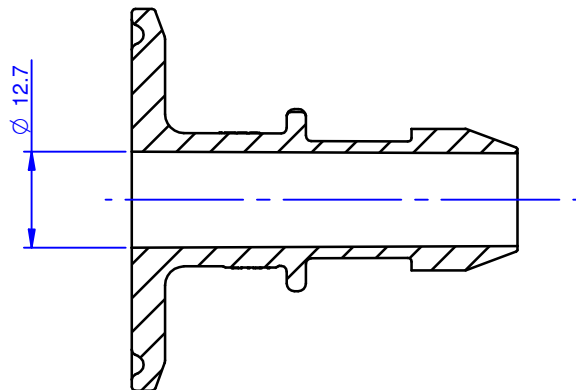
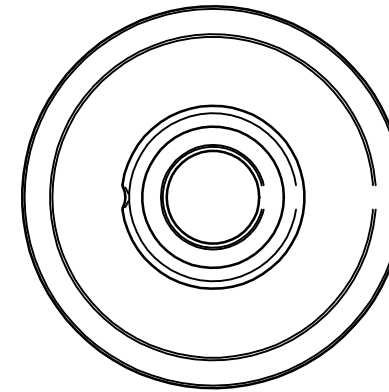
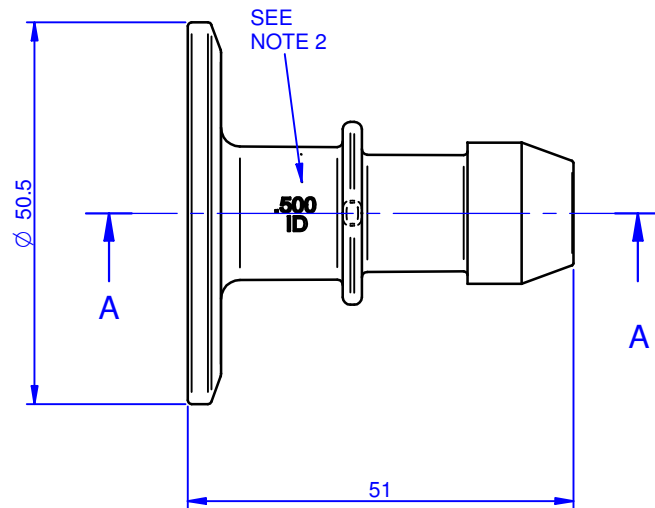
IF IN DOUBT - ASK

3rd ANGLE PROJECTION 

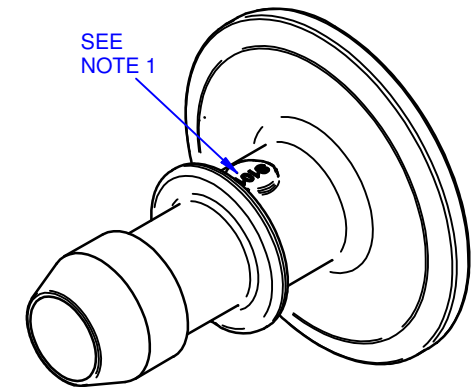
DRAWING NUMBER

PP100/150TC0500BB-CD

ISSUE	DESCRIPTION	DATE
B	RIBS REMOVED	22/10/07



SECTION A-A



NOTES:

1. BATCH CODE TO BE MOULDED ON PART IN THIS AREA.
2. COMPONENT SIZE IDENTIFICATION TO MOULDED IN THIS POSITION.
3. NO FLASH OR IMPERFECTIONS PERMISSABLE ON FRONT EDGE OF BARB.
4. PART TO BE MANUFACTURED IN CLEANROOM ENVIRONMENT.
5. FLANGE DETAIL TO CONFORM TO RELEVANT ISO, BS & DIN STANDARDS

© COPYRIGHT

This drawing and its associated design is the property of Bio-Pure Technology Ltd & may not be copied or used for any purpose other than that for which it is supplied, without the express written authority of Bio-Pure Technology Ltd

DIMENSIONS IN MILLIMETERS

TOLERANCES UNLESS STATED
 0 DEC PLACE +/- 0.5
 1 DEC PLACE +/- 0.25
 2 DEC PLACES +/- 0.10

ANGULAR +/- 0.5 DEG

MATERIAL AND SPECIFICATION

PP Natural
 Borealis HD810MO

DRAWN BY

MJF

CHECKED BY

PJR

DATE

22/10/07

APPROVED BY

RM

FINISH

CLEAN

SCALE

1:1

BioPure
 Technology
 7 Falcon Court, Denmead, Hants, PO7 6BZ England
 Tel: +44 (0) 2392 499000 Fax: +44 (0) 2392 499001
 Email: sales@biopuretech.com
 Web: www.biopuretech.com

TITLE

BIOBARB
LARGE FLANGE x 0.500

PART No:

PP100/150TC0500BB

DO NOT SCALE DRAWING

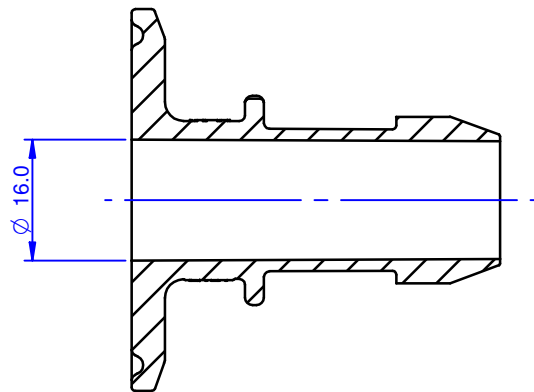
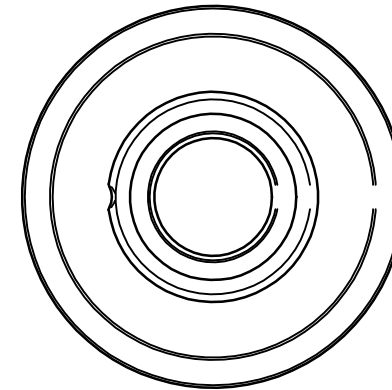
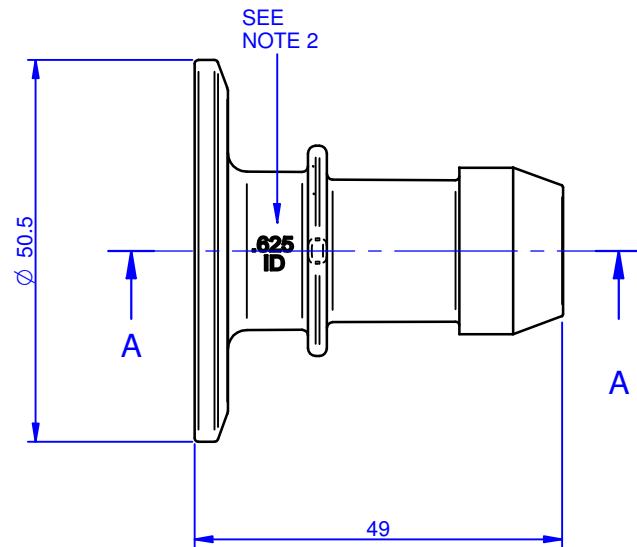
IF IN DOUBT - ASK

3rd ANGLE PROJECTION 

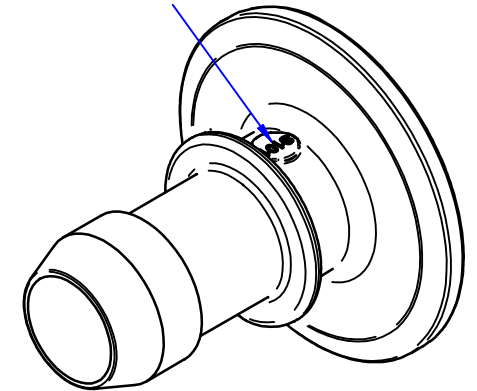
DRAWING NUMBER

PP100/150TC0625BB-CD

ISSUE	DESCRIPTION	DATE
B	RIBS REMOVED	22/10/07



SECTION A-A

SEE
NOTE 1

NOTES:

1. BATCH CODE TO BE MOULDED ON PART IN THIS AREA.
2. COMPONENT SIZE IDENTIFICATION TO MOULDED IN THIS POSITION.
3. NO FLASH OR IMPERFECTIONS PERMISSABLE ON FRONT EDGE OF BARB.
4. PART TO BE MANUFACTURED IN CLEANROOM ENVIROMENT.
5. FLANGE DETAIL TO CONFORM TO RELEVANT ISO, BS & DIN STANDARDS

© COPYRIGHT

This drawing and its associated design is the property of Bio-Pure Technology Ltd & may not be copied or used for any purpose other than that for which it is supplied, without the express written authority of Bio-Pure Technology Ltd

DIMENSIONS IN MILLIMETERS

TOLERANCES UNLESS STATED
 0 DEC PLACE +/- 0.5
 1 DEC PLACE +/- 0.25
 2 DEC PLACES +/- 0.10

ANGULAR +/- 0.5 DEG

MATERIAL AND SPECIFICATION

PP Natural
 Borealis HD810MO

DRAWN BY

MJF

CHECKED BY

PJR

DATE

22/10/07

APPROVED BY

RM

FINISH

CLEAN

SCALE

1:1

**BioPure
 Technology**
 7 Falcon Court, Denmead, Hants, PO7 6BZ England
 Tel: +44 (0) 2392 499000 Fax: +44 (0) 2392 499001
 Email. sales@biopuretech.com
 Web. www.biopuretech.com

TITLE

**BIOBARB
 LARGE FLANGE x 0.625**

PART No:

PP100/150TC0625BB

DO NOT SCALE DRAWING

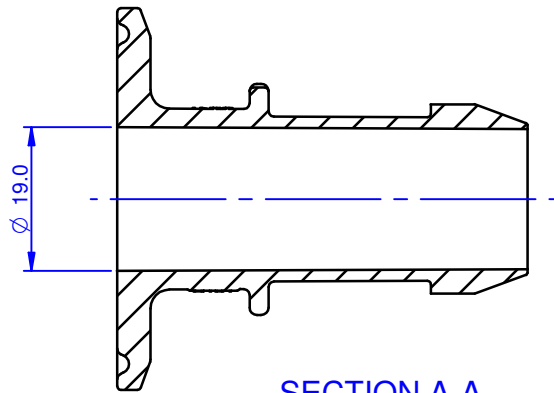
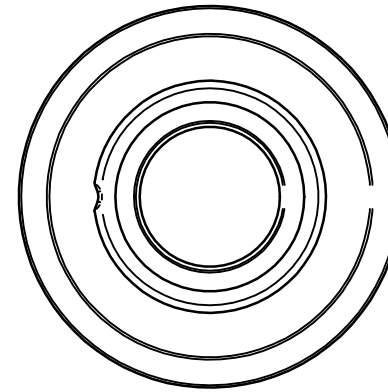
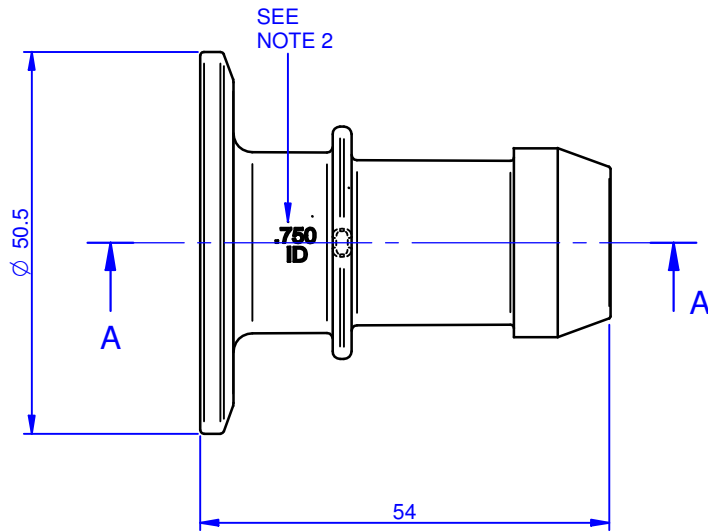
IF IN DOUBT - ASK

3rd ANGLE PROJECTION

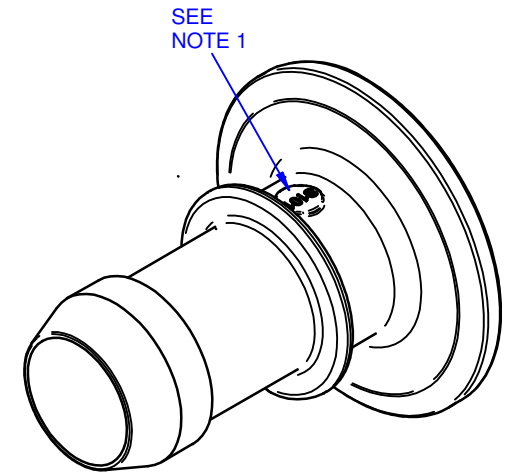
DRAWING NUMBER

PP100/150TC0750BB-CD

ISSUE	DESCRIPTION	DATE
B	RIBS REMOVED	22/10/07



SECTION A-A



NOTES:

1. BATCH CODE TO BE MOULDED ON PART IN THIS AREA.
2. COMPONENT SIZE IDENTIFICATION TO MOULDED IN THIS POSITION.
3. NO FLASH OR IMPERFECTIONS PERMISSABLE ON FRONT EDGE OF BARB.
4. PART TO BE MANUFACTURED IN CLEANROOM ENVIROMENT.
5. FLANGE DETAIL TO CONFORM TO RELEVANT ISO, BS & DIN STANDARDS

© COPYRIGHT

This drawing and its associated design is the property of Bio-Pure Technology Ltd & may not be copied or used for any purpose other than that for which it is supplied, without the express written authority of Bio-Pure Technology Ltd

DIMENSIONS IN MILLIMETERS

TOLERANCES UNLESS STATED
 0 DEC PLACE +/- 0.5
 1 DEC PLACE +/- 0.25
 2 DEC PLACES +/- 0.10
 ANGULAR +/- 0.5 DEG

MATERIAL AND SPECIFICATION

PP Natural
 Borealis HD810MO

DRAWN BY

MJF

CHECKED BY

PJR

DATE

22/10/07

APPROVED BY

RM

FINISH

CLEAN

SCALE

1:1

BioPure Technology
 7 Falcon Court, Denmead, Hants, PO7 6BZ England
 Tel: +44 (0) 2392 499000 Fax: +44 (0) 2392 499001
 Email. sales@biopuretech.com
 Web. www.biopuretech.com

TITLE

**BIOBARB
 LARGE FLANGE x 0.750**

PART No:

PP100/150TC0750BB

DO NOT SCALE DRAWING

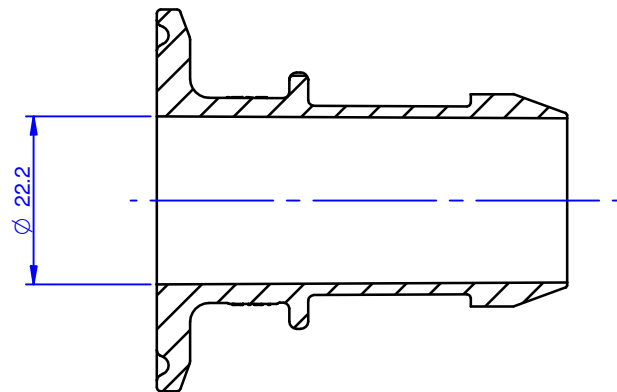
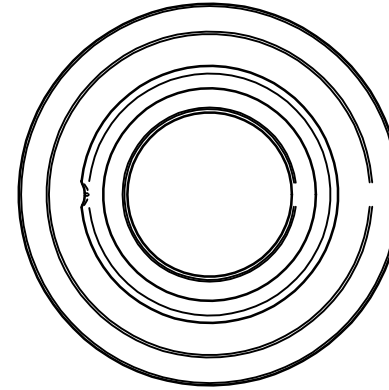
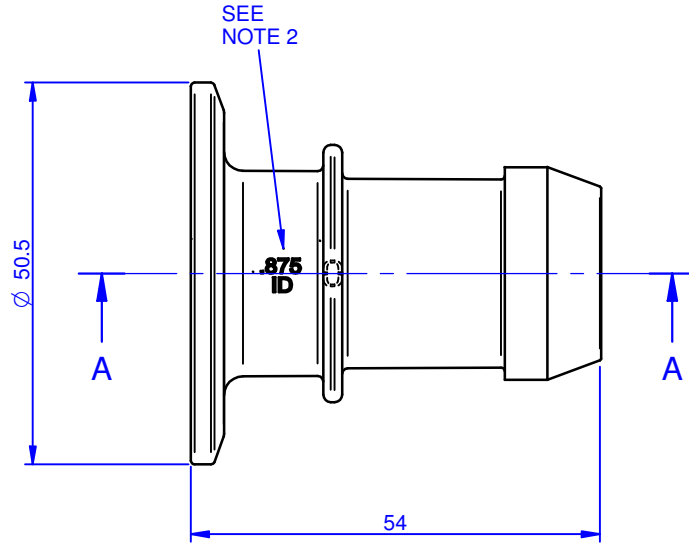
IF IN DOUBT - ASK

3rd ANGLE PROJECTION

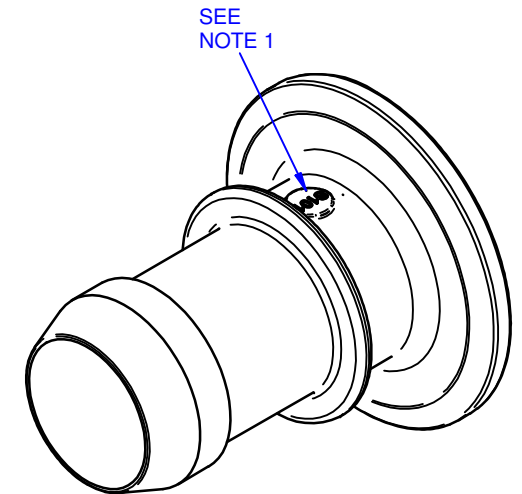
DRAWING NUMBER

PP100/150TC0875BB-CD

ISSUE	DESCRIPTION	DATE
B	RIBS REMOVED	22/10/07



SECTION A-A



NOTES:

1. BATCH CODE TO BE MOULDED ON PART IN THIS AREA.
2. COMPONENT SIZE IDENTIFICATION TO MOULDED IN THIS POSITION.
3. NO FLASH OR IMPERFECTIONS PERMISSABLE ON FRONT EDGE OF BARB.
4. PART TO BE MANUFACTURED IN CLEANROOM ENVIROMENT.
5. FLANGE DETAIL TO CONFORM TO RELEVANT ISO, BS & DIN STANDARDS

© COPYRIGHT

This drawing and its associated design is the property of Bio-Pure Technology Ltd & may not be copied or used for any purpose other than that for which it is supplied, without the express written authority of Bio-Pure Technology Ltd

DIMENSIONS IN MILLIMETERS

TOLERANCES UNLESS STATED
 0 DEC PLACE +/- 0.5
 1 DEC PLACE +/- 0.25
 2 DEC PLACES +/- 0.10
 ANGULAR +/- 0.5 DEG

MATERIAL AND SPECIFICATION

PP Natural
 Borealis HD810MO

DRAWN BY

MJF

CHECKED BY

PJR

DATE

22/10/07

APPROVED BY

RM

FINISH

CLEAN

SCALE

1:1

BioPure Technology
 7 Falcon Court, Denmead, Hants, PO7 6BZ England
 Tel: +44 (0) 2392 499000 Fax: +44 (0) 2392 499001
 Email. sales@biopuretech.com
 Web. www.biopuretech.com

TITLE

**BIOBARB
 LARGE FLANGE x 0.875**

PART No:

PP100/150TC0875BB

DO NOT SCALE DRAWING

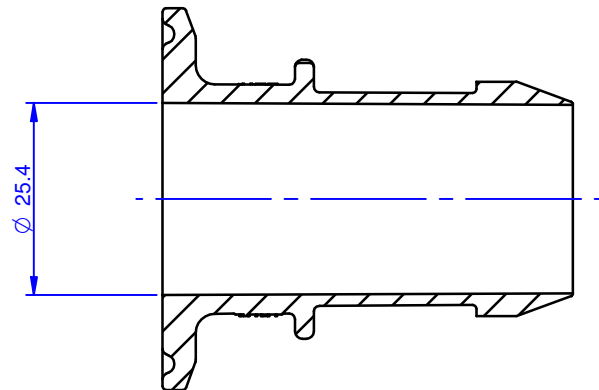
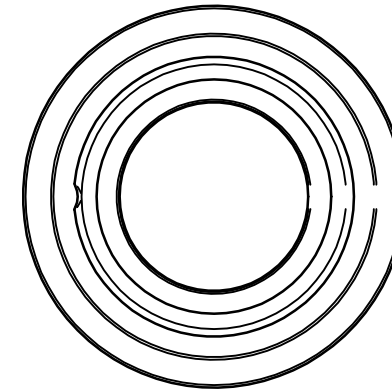
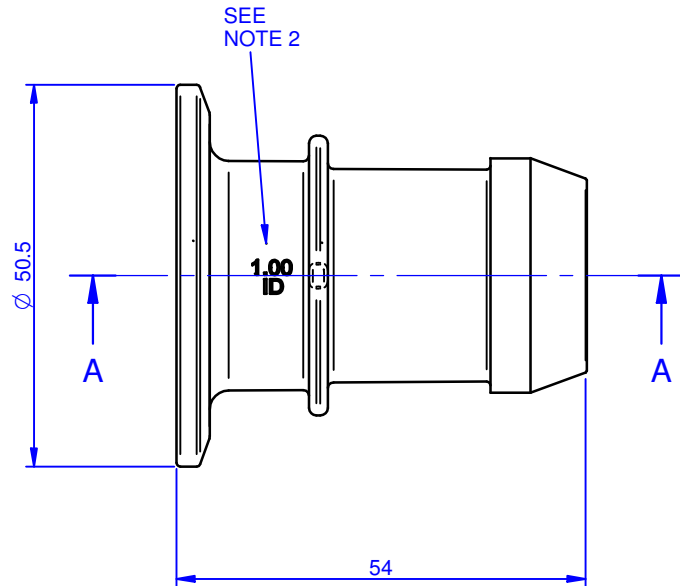
IF IN DOUBT - ASK

3rd ANGLE PROJECTION 

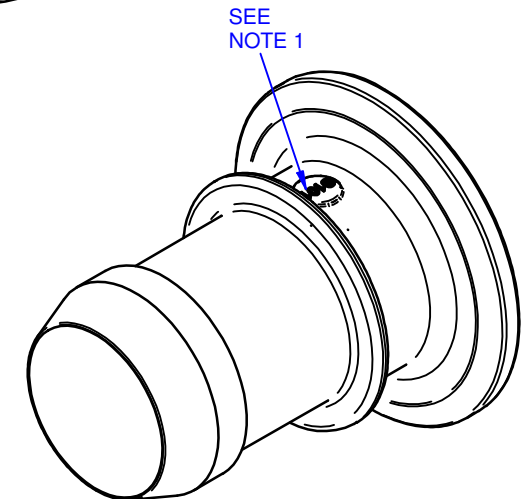
DRAWING NUMBER

PP100/150TC1000BB-CD

ISSUE	DESCRIPTION	DATE
B	RIBS REMOVED	22/10/07



SECTION A-A



NOTES:

- BATCH CODE TO BE MOULDED ON PART IN THIS AREA.
- COMPONENT SIZE IDENTIFICATION TO MOULDED IN THIS POSITION.
- NO FLASH OR IMPERFECTIONS PERMISSABLE ON FRONT EDGE OF BARB.
- PART TO BE MANUFACTURED IN CLEANROOM ENVIRONMENT.
- FLANGE DETAIL TO CONFORM TO RELEVANT ISO, BS & DIN STANDARDS

© COPYRIGHT

This drawing and its associated design is the property of Bio-Pure Technology Ltd & may not be copied or used for any purpose other than that for which it is supplied, without the express written authority of Bio-Pure Technology Ltd

DIMENSIONS IN MILLIMETERS

TOLERANCES UNLESS STATED
 0 DEC PLACE +/- 0.5
 1 DEC PLACE +/- 0.25
 2 DEC PLACES +/- 0.10

ANGULAR +/- 0.5 DEG

MATERIAL AND SPECIFICATION

PP Natural
 Borealis HD810MO

DRAWN BY

MJF

DATE

22/10/07

FINISH

CLEAN

CHECKED BY

PJR

APPROVED BY

RM

SCALE

1:1

BioPure Technology
 7 Falcon Court, Denmead, Hants, PO7 6BZ England
 Tel: +44 (0) 2392 499000 Fax: +44 (0) 2392 499001
 Email: sales@biopuretech.com
 Web: www.biopuretech.com

TITLE

**BIOBARB
 LARGE FLANGE x 1.000**

PART No:

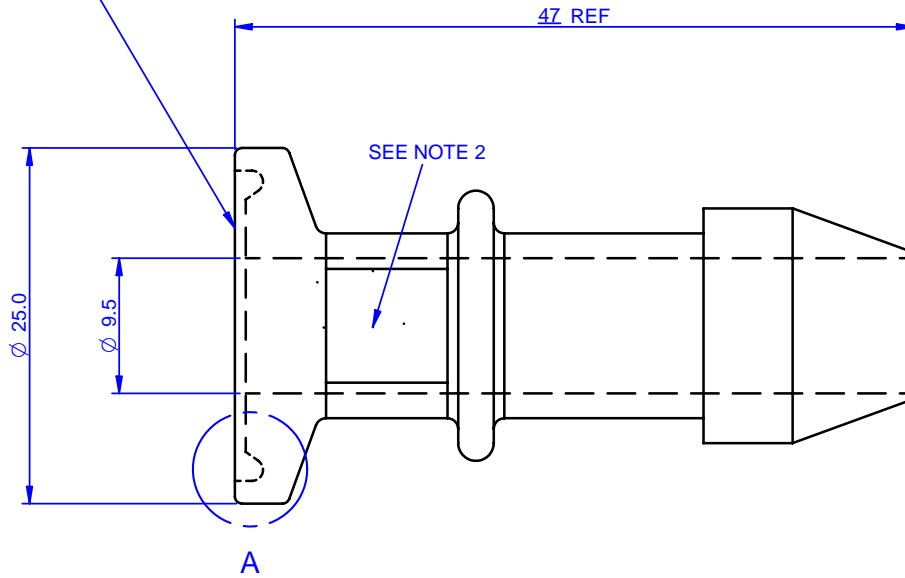
PP100/150TC1000BB

1 2 3 4 5 6 7 8

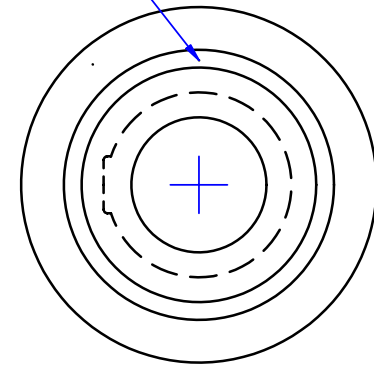
DO NOT SCALE DRAWING IF IN DOUBT - ASK 3rd ANGLE PROJECTION

DRAWING NUMBER		
PPMINITC0375BB-CD		
ISSUE	DESCRIPTION	DATE
A	RELEASED FOR PRODUCTION	05/01/05

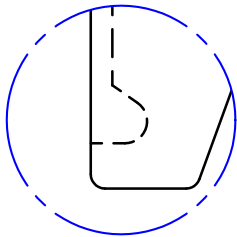
SEE NOTE 1



SEE NOTE 7



SEE NOTE 3



DETAIL A
TO CONFORM TO RELEVANT
ISO, BS & DIN STANDARDS

NOTES:

1. THIS FACE TO BE FLAT TO 0.15 mm. MAXIMUM EJECTOR WITNESS PERMISSABLE 0.07mm.
2. BATCH CODE TO BE MOULDED ON PART IN THIS AREA.
3. NO FLASH OR IMPERFECTION PERMISSABLE ON FRONT EDGE OF MOULDING.
4. NO CONTAMINATION ALLOWED.
5. MAXIMUM SPLIT LINE FLASH 0.2 mm.
6. PART TO BE MANUFACTURED IN CLEANROOM ENVIROMENT.
7. INJECTION GATE MARK TO BE TRIMMED FLUSH.

© COPYRIGHT

This drawing and its associated design is the property of Bio-Pure Technology Ltd & may not be copied or used for any purpose other than that for which it is supplied, without the express written authority of Bio-Pure Technology Ltd

DIMENSIONS IN MILLIMETERS

TOLERANCES UNLESS STATED
0 DEC PLACE +/- 0.5
1 DEC PLACE +/- 0.25
2 DEC PLACES +/- 0.10
ANGULAR +/- 0.5 DEG

MATERIAL AND SPECIFICATION

PP Natural
Borealis HD810MO

DRAWN BY

MJF

CHECKED BY

PRW

DATE

29/11/04

APPROVED BY

RW

FINISH

CLEAN

SCALE

2:1

Bio-Pure Technology Ltd.

17 South Street, Havant, Hants PO91BU ENGLAND
Tel. +44 (0) 2392 499000 Fax. +44 (0) 2392 499001
Email. sales@biopuretech.com
Web. www.biopuretech.com

TITLE

BIO-BARB
SMALL FLANGE x 0.375

PART No:

PPMINITC0375BB

DO NOT SCALE DRAWING

IF IN DOUBT - ASK

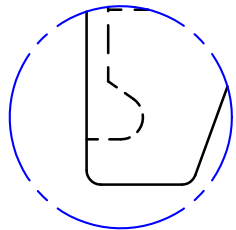
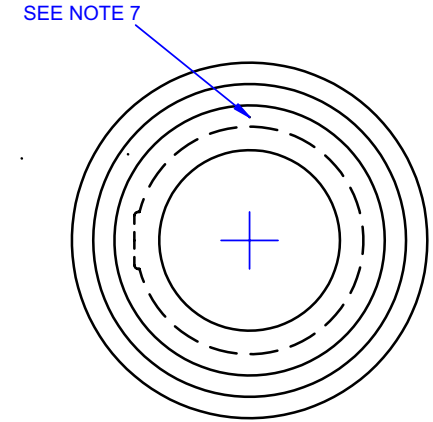
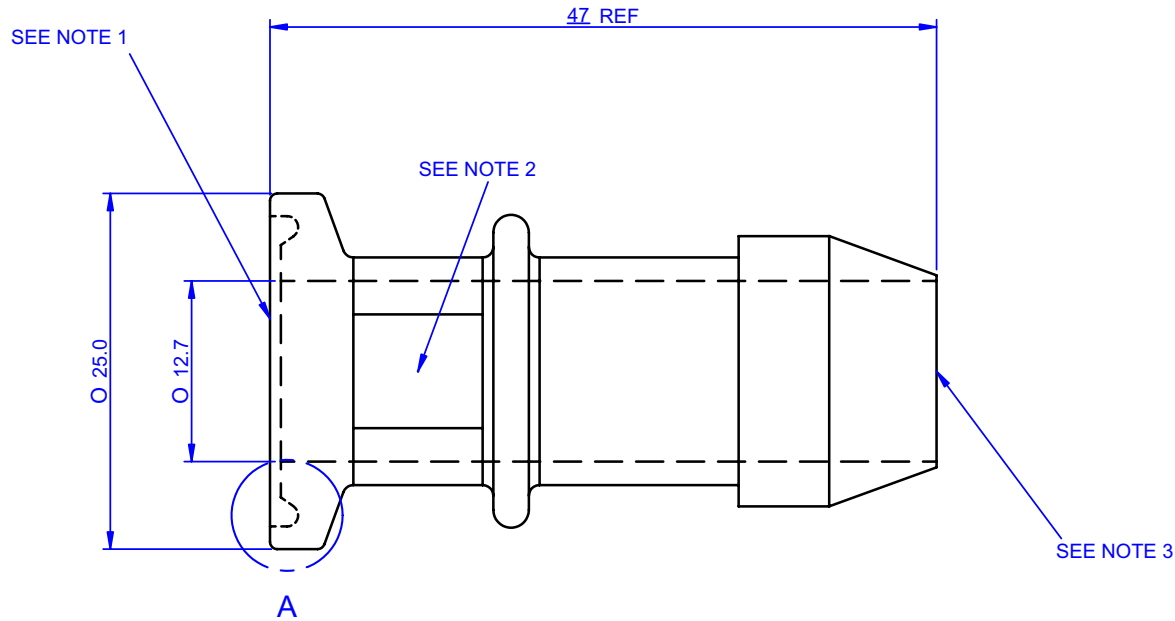
3rd ANGLE PROJECTION

DRAWING NUMBER

PPMINITC0500BB-CD

ISSUE	DESCRIPTION	DATE
B	BS & PATENT DETAIL ADDED	24/05/05

PATENT PENDING GB 0509362.0
 PATENT PENDING US 11/053657
 PATENT PENDING EEC 05075275.7



DETAIL A
 TO CONFORM TO RELEVANT
 ISO, BS & DIN STANDARDS

NOTES:

1. THIS FACE TO BE FLAT TO 0.15 mm. MAXIMUM EJECTOR WITNESS PERMISSABLE 0.07mm.
2. BATCH CODE TO BE MOULDED ON PART IN THIS AREA.
3. NO FLASH OR IMPERFECTION PERMISSABLE ON FRONT EDGE OF MOULDING.
4. NO CONTAMINATION ALLOWED.
5. MAXIMUM SPLIT LINE FLASH 0.2 mm.
6. PART TO BE MANUFACTURED IN CLEANROOM ENVIROMENT.
7. INJECTION GATE MARK TO BE TRIMMED FLUSH.

© COPYRIGHT

This drawing and its associated design is the property of Bio-Pure Technology Ltd & may not be copied or used for any purpose other than that for which it is supplied, without the express written authority of Bio-Pure Technology Ltd

DIMENSIONS IN MILLIMETERS

TOLERANCES UNLESS STATED
 0 DEC PLACE +/- 0.5
 1 DEC PLACE +/- 0.25
 2 DEC PLACES +/- 0.10
 ANGULAR +/- 0.5 DEG

MATERIAL AND SPECIFICATION

PP Natural
 Borealis HD810MO

DRAWN BY

MJF

CHECKED BY

PRW

DATE

29/11/04

APPROVED BY

RW

FINISH

CLEAN

SCALE

2:1

Bio-Pure Technology Ltd.

17 South Street, Havant, Hants PO91BU ENGLAND
 Tel. +44 (0) 2392 499000 Fax. +44 (0) 2392 499001
 Email. sales@biopuretech.com
 Web. www.biopuretech.com

TITLE

BIO-BARB
 SMALL FLANGE x 0.500

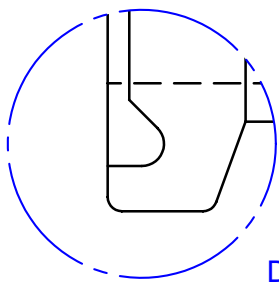
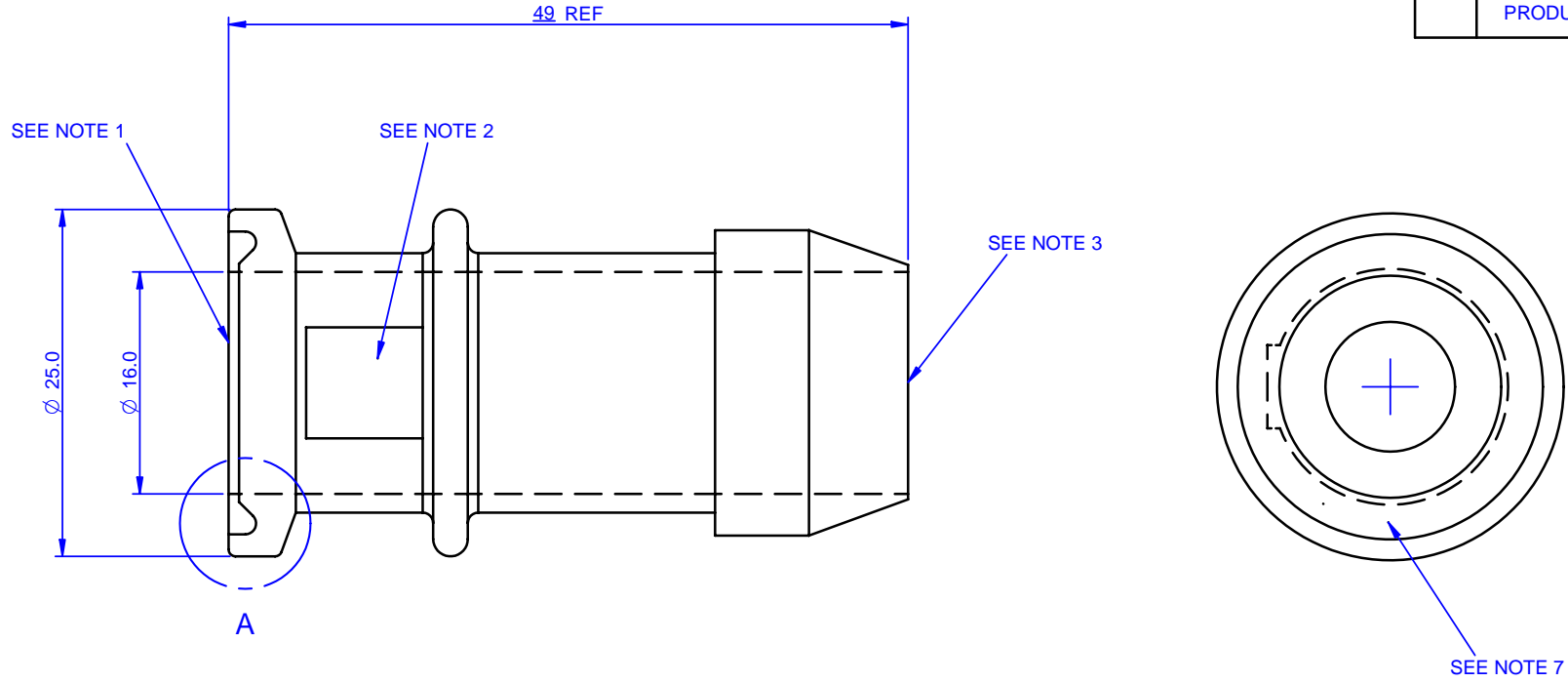
PART No:

PPMINITC0500BB

1 2 3 4 5 6 7 8

DO NOT SCALE DRAWING IF IN DOUBT - ASK 3rd ANGLE PROJECTION

DRAWING NUMBER		
PPMINITC0625BB-CD		
ISSUE	DESCRIPTION	DATE
A	RELEASED FOR PRODUCTION	05/01/05



DETAIL A
TO CONFORM TO RELEVANT
ISO, BS & DIN STANDARDS

- NOTES:**
1. THIS FACE TO BE FLAT TO 0.15 mm.
 2. BATCH CODE TO BE MOULDED ON PART IN THIS AREA.
 3. NO FLASH OR IMPERFECTION PERMISSABLE ON FRONT EDGE OF MOULDING.
 4. NO CONTAMINATION ALLOWED.
 5. MAXIMUM SPLIT LINE FLASH 0.2 mm.
 6. PART TO BE MANUFACTURED IN CLEANROOM ENVIROMENT.
 7. INJECTION GATE MARK TO BE TRIMMED FLUSH.

<p>© COPYRIGHT</p> <p>This drawing and its associated design is the property of Bio-Pure Technology Ltd & may not be copied or used for any purpose other than that for which it is supplied, without the express written authority of Bio-Pure Technology Ltd</p>	<p>DIMENSIONS IN MILLIMETERS</p> <p>TOLERANCES UNLESS STATED</p> <p>0 DEC PLACE +/- 0.5</p> <p>1 DEC PLACE +/- 0.25</p> <p>2 DEC PLACES +/- 0.10</p> <p>ANGULAR +/- 0.5 DEG</p>	<p>MATERIAL AND SPECIFICATION</p> <p>PP Natural</p> <p>Borealis HD810MO</p>	DRAWN BY	DATE	FINISH	<p>Bio-Pure Technology Ltd.</p> <p>17 South Street, Havant, Hants PO91BU ENGLAND</p> <p>Tel. +44 (0) 2392 499000 Fax. +44 (0) 2392 499001</p> <p>Email. sales@biopuretech.com</p> <p>Web. www.biopuretech.com</p>	TITLE
			CHECKED BY	APPROVED BY	SCALE		<p>BIO-BARB</p> <p>SMALL FLANGE x 0.625</p>
			MJF	10/11/04	CLEAN		PART No:
			PRW	RW	1:1		PPMINITC0625BB