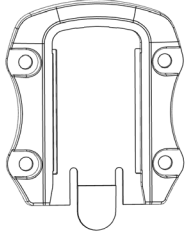


BioProTT™ Clamp-On Bracket for XL Sensors

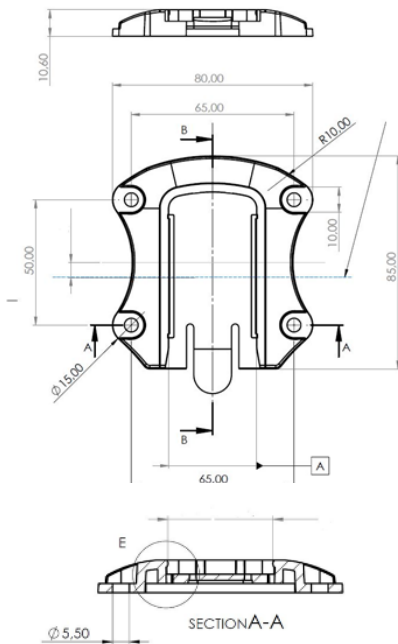


- bracket for the BioProTT™ Clamp-On SL XL sensors
- click mechanism for easy fixation and dismounting of sensors
- available in two sizes

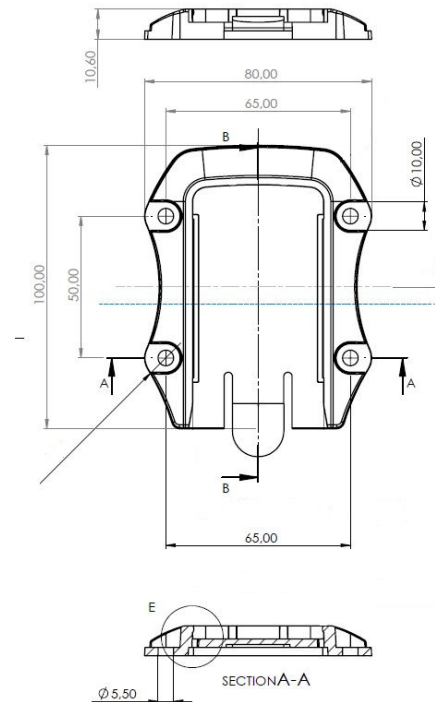
	BioProTT™ Clamp-On Bracket Size 35	BioProTT™ Clamp-On Bracket Size 46
Article No.	13678	13679
Compatible with Sensors of the Sizes	1/2" x 3/16" 3/4" x 1/8" 3/4" x 3/16"	1" x 1/8" 1" x 3/16" 1 - 1/4" x 3/16"
Size (H x W x D)	85 x 80 x 10.6 mm	100 x 80 x 10.6 mm
Weight	28 g	31 g
Material	polyamide	polyamide
Mounting	four M5 screws	four M5 screws
Maximum Load	5 Nm	5 Nm
Expected Product Life	5 years	5 years
Cleaning and Disinfection	disinfect easily using alcohol based surface cleaners	

Technical Drawings

BioProTT™ Clamp-On Bracket Size 35



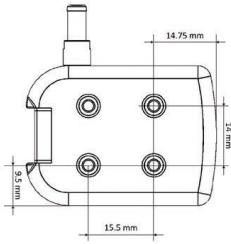
BioProTT™ Clamp-On Bracket Size 46



***Please note:**

The BioProTT™ Clamp-On Bracket in combination with the BioProTT™ Clamp-On SL is not suitable for tube mounting. To fix the tube, you must use another suitable option.

Mounting Feature for Smaller Sensors*



- mounting feature for three different sensor sizes
- for the firm fixation of sensors
- part of the sensor — no additional part or product necessary

Article No. & Size	ID 13650	1/8" x 1/16"
	ID 13651	1/4" x 1/16"
	ID 13652	1/2" x 1/8"
Material	epoxy resin	
Mounting	four M3 screws with a recommended thread length of 4 mm	
Tightening Torque	max. 0.7 Nm	
Maximum Load	2 kg	
Expected Product Life	10 years	
Cleaning and Disinfection	commonly used detergents and/or BacilloI® AF by Hartmann	

***Please note:**

The BioProTT™ Mounting Solution is not suitable for tube mounting. To fix the tube, you must use another suitable option.

Ambient Conditions during Transport, Storage, and Operation

Transport and Storage

Atmospheric Pressure	70 kPa to 106 kPa
Temperature Range	-20 °C to 55 °C (-4 °F to 131 °F)
Relative Humidity	10 % to 96 % (non-condensing)

Operation

Atmospheric Pressure	70 kPa to 106 kPa
Temperature Range	10 °C to 40 °C (50 °F to 104 °F)
Relative Humidity	10 % to 96 % (non-condensing)

em-tec

em-tec GmbH
Lerchenberg 20
86923 Finning, Germany
P: +49 8806 9236 0
F: +49 8806 9236 50
E: em-tec-info@psgdover.com
em-tec.de