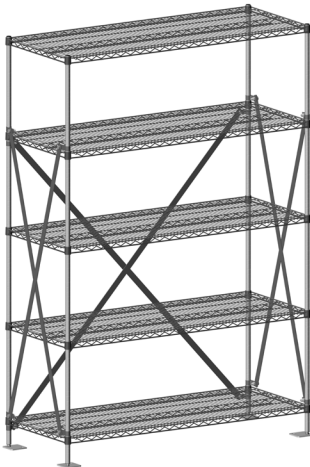


INSTALLATION GUIDE FOR SEISMIC WIRE SHELVING

*(For installations not requiring OSHPD pre-approval.
These seismic components may be used for site specific approvals.)*

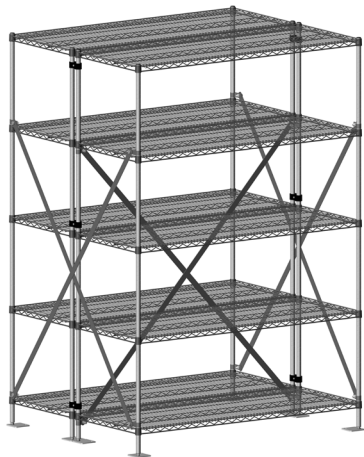


SINGLE UNIT

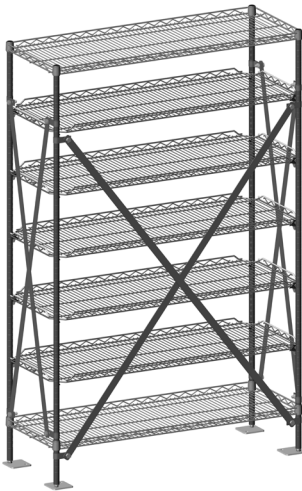


SES

Sway braces are **OPTIONAL** on Super Erecta and Super Adjustable.

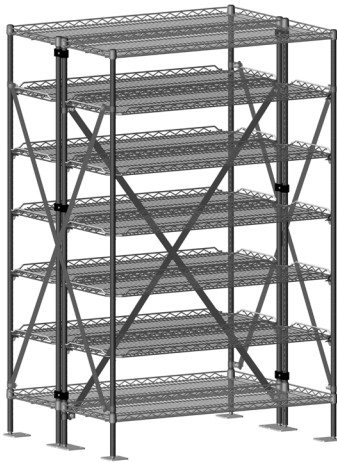


BACK-TO-BACK UNIT



qwikSLOT

Sway braces are **REQUIRED** on qwikSLOT.

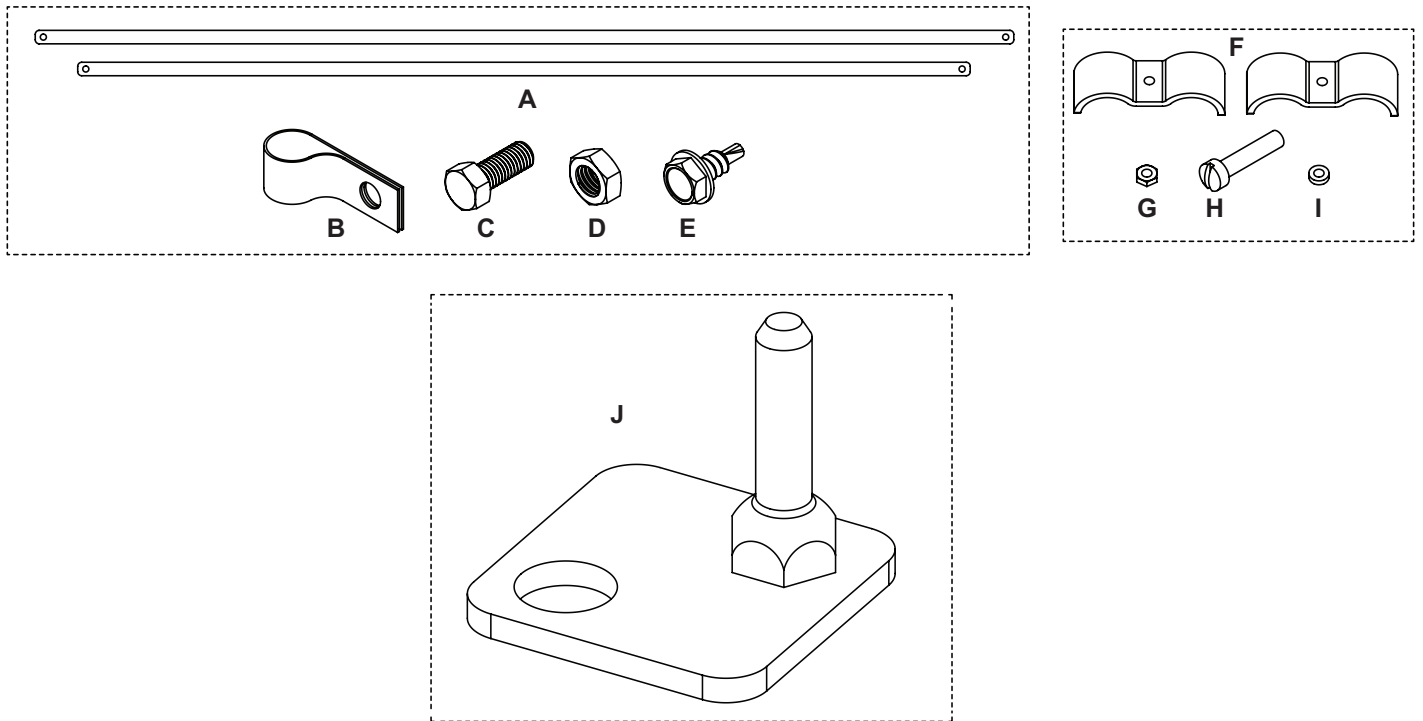


NOTE: The seismic foot plates and sway braces in this document can be used with Metro Super Erecta, Super Adjustable Super Erecta and qwikSLOT to connect the product to the floor. Anchors are not included.

NOTE: Read the following prior to assembling your shelving unit.

- Your shelving must be assembled as per any site-specific or local requirements.
- Assemble the first shelf a maximum of 7" from the floor.
- There must be a clearance of at least 18" below sprinkler systems.
- Each shelving unit, whether single or back-to-back, is a “stand-alone unit” it does not connect to other shelving units or walls.
- Shelving must be assembled using designated seismic posts only.
Reference product spec sheet# 10.16.

LIST OF COMPONENTS



SINGLE UNIT			BACK-TO-BACK UNIT		
ITEM	DESCRIPTION	QTY.	ITEM	DESCRIPTION	QTY.
A	End Sway Brace	4	A	End Sway Brace	4
	Back Sway Brace	2		Back Sway Brace	2
B	Sway Brace Clamp	12	B	Sway Brace Clamp	12
C	3/8 Hex Bolt	12	C	3/8 Hex Bolt	12
D	3/8 Hex Nut	12	D	3/8 Hex Nut	12
E	TEK Screw	12	E	TEK Screw	12
J	Foot Plate Single Hole	4	F	Post Clamp	6
			G	10-24 Nut	6
			H	10-24 Screw	6
			I	Washer	12
			J	Foot Plate Single Hole	8

SINGLE UNIT (SES / SASE)

Two People Required to Assemble Unit.

NOTE: Sway braces are **OPTIONAL** on Super Erecta and Super Adjustable.

<p>1</p>	<p>2</p> <p>ASSEMBLE YOUR SHELVING UNIT AS DESCRIBED IN THE INSTRUCTION SHEET PACKED WITH THE SHELVING</p> <p>BE CERTAIN TO FOLLOW ANY SITE-SPECIFIC OR LOCAL REQUIREMENTS</p>	<p>3 SWAY BRACE CLAMP POSITION</p>	<p>4</p> <p>SPREAD THE CLAMP AND FIT</p>
<p>5</p>		<p>6</p>	
<p>7</p> <p>ON ALL SWAY BRACE CLAMPS</p>	<p>8</p> <p>TEK Screw</p>	<p>9</p>	<p>10</p> <p>ANCHOR THE FOOT PLATES TO THE FLOOR USING APPROVED DIAMETER EXPANSION ANCHORS OR THRU-BOLTS (NOT PROVIDED).</p> <p>NOTE: For site-specific approval the anchorage to the structure must be independently verified for each installation by the Structural Engineer of Record. The Engineer of Record must also verify that the structure itself is adequate for applied loads.</p>

BACK-TO-BACK UNIT (SES / SASE)

Two People Required to Assemble Unit.

NOTE: Sway braces are **OPTIONAL** on Super Erecta and Super Adjustable.

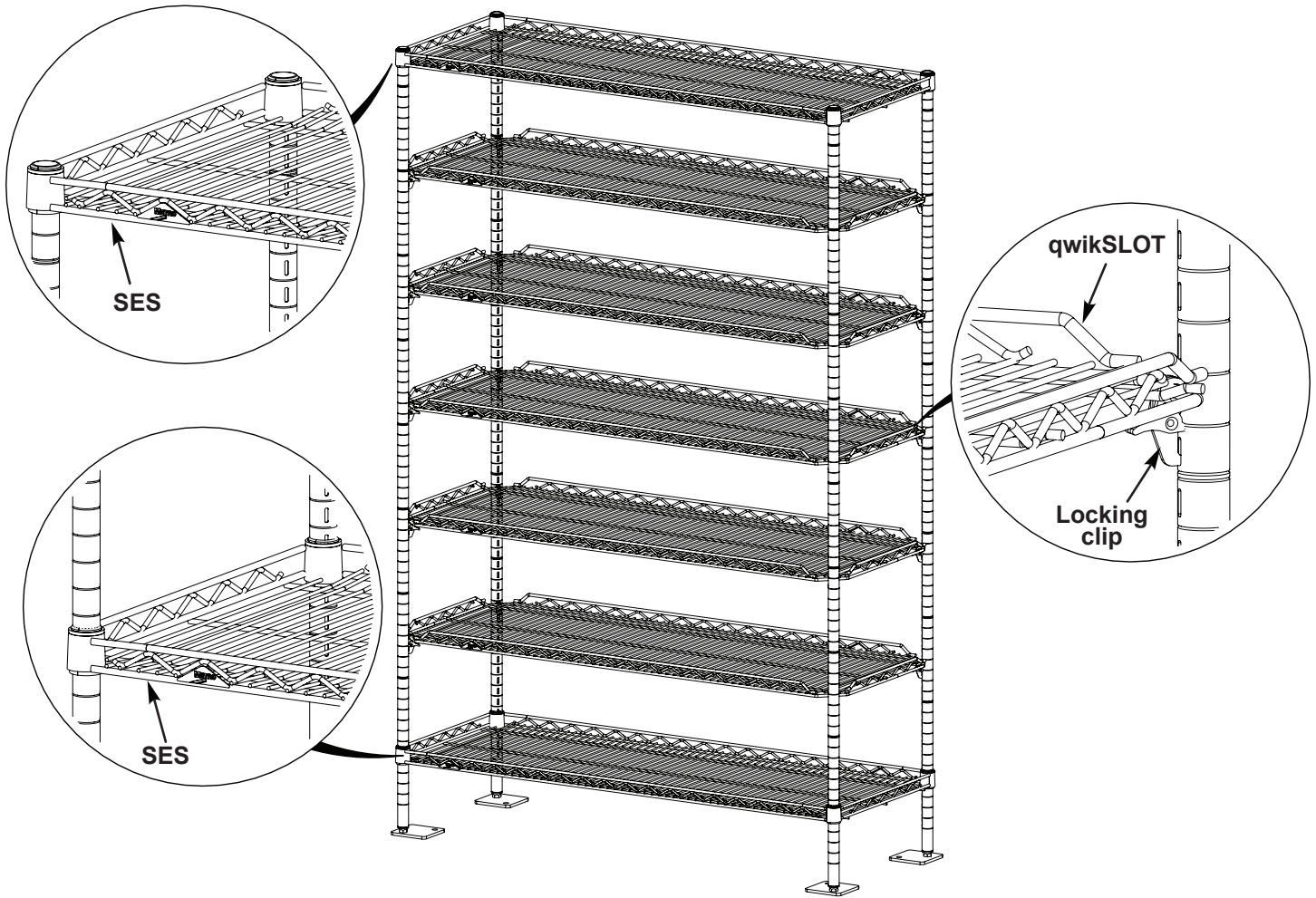
<p>1</p>	<p>2</p> <p>ASSEMBLE YOUR SHELVING UNIT AS DESCRIBED IN THE <u>INSTRUCTION SHEET</u> PACKED WITH THE SHELVING</p> <p>BE CERTAIN TO FOLLOW ANY SITE-SPECIFIC OR LOCAL REQUIREMENTS</p>	<p>3</p> <p>REFER TO PAGE 3 FOR INSTALLATION OF BACK SWAY BRACES ON SINGLE UNIT</p>	<p>4</p>
<p>5</p>		<p>8</p>	
<p>6</p> <p>REFER TO PAGE 3 FOR INSTALLATION OF END SWAY BRACES ON SINGLE UNIT</p>		<p>THIS COMPLETES THE ASSEMBLY OF BACK-TO-BACK UNIT</p>	
<p>7</p> <p>ANCHOR THE FOOT PLATES TO THE FLOOR USING APPROVED DIAMETER EXPANSION ANCHORS OR THRU-BOLTS (NOT PROVIDED).</p> <p>NOTE: For site-specific approval the anchorage to the structure must be independently verified for each installation by the Structural Engineer of Record. The Engineer of Record must also verify that the structure itself is adequate for applied loads.</p>		<p>NOTE: Follow site-specific or local requirements when installing shelving.</p>	

qwikSLOT

Assemble your qwikSLOT shelving unit as described in the instruction sheet packed with the shelving.

qwikSLOT Assembly Specific Rules:

- Locking clips must be used with the qwikSLOT shelves (9985QSL).
- Top and Bottom Shelves MUST be round collar Super Erecta style shelving.
- Follow the assembly instructions included with the qwikSLOT shelves and posts.



SINGLE UNIT (qwikSLOT)

Two People Required to Assemble Unit.

NOTE: Sway braces are **REQUIRED** on qwikSLOT.

<p>1</p> <p>Post 4x Foot Plate</p>	<p>2</p> <p>ASSEMBLE YOUR SHELVING UNIT AS DESCRIBED IN THE INSTRUCTION SHEET PACKED WITH THE SHELVING</p> <p>BE CERTAIN TO FOLLOW ANY SITE-SPECIFIC OR LOCAL REQUIREMENTS</p>	<p>3 SWAY BRACE CLAMP POSITION</p>	<p>4</p> <p>Sway Brace Clamp 12x</p> <p>SPREAD THE CLAMP AND FIT</p>
<p>5</p> <p>End Sway Brace Bolt Nut</p>		<p>6</p> <p>Back Sway Brace</p>	
<p>7</p> <p>ON ALL SWAY BRACE CLAMPS 3/16 Dia Hole</p>	<p>8</p> <p>TEK Screw</p>	<p>9</p>	<p>10</p> <p>ANCHOR THE FOOT PLATES TO THE FLOOR USING APPROVED DIAMETER EXPANSION ANCHORS OR THRU-BOLTS (NOT PROVIDED).</p> <p>NOTE: For site-specific approval the anchorage to the structure must be independently verified for each installation by the Structural Engineer of Record. The Engineer of Record must also verify that the structure itself is adequate for applied loads.</p>

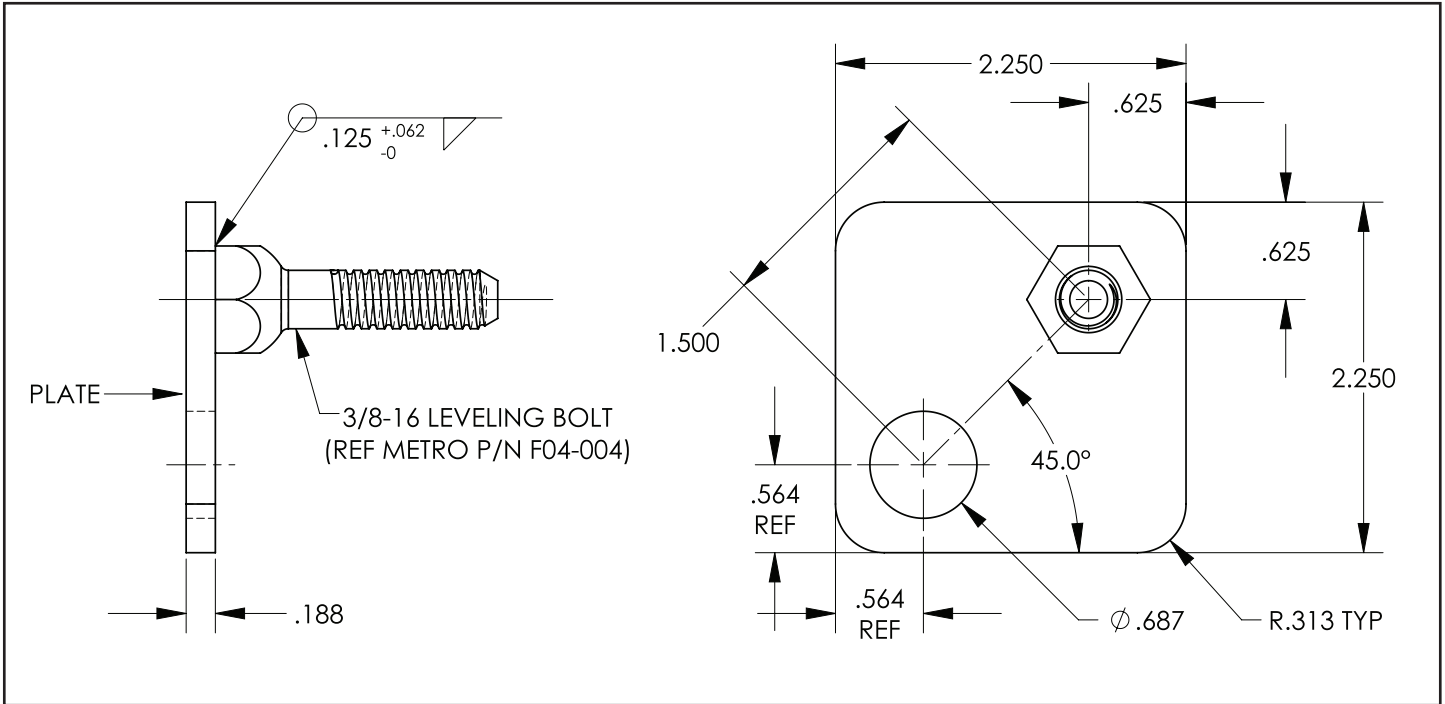
BACK-TO-BACK UNIT (qwikSLOT)

Two People Required to Assemble Unit.

NOTE: Sway braces are **REQUIRED** on qwikSLOT.

<p>1</p>	<p>2</p> <p>ASSEMBLE YOUR SHELVING UNIT AS DESCRIBED IN THE <u>INSTRUCTION SHEET</u> PACKED WITH THE SHELVING</p> <p>BE CERTAIN TO FOLLOW ANY SITE-SPECIFIC OR LOCAL REQUIREMENTS</p>	<p>3</p> <p>REFER TO PAGE 6 FOR INSTALLATION OF BACK SWAY BRACES ON SINGLE UNIT</p>	<p>4</p>
<p>5</p>		<p>8</p> <p>THIS COMPLETES THE ASSEMBLY OF BACK-TO-BACK UNIT</p>	
<p>6</p> <p>REFER TO PAGE 6 FOR INSTALLATION OF END SWAY BRACES ON SINGLE UNIT</p>			
<p>7</p> <p>ANCHOR THE FOOT PLATES TO THE FLOOR USING APPROVED DIAMETER EXPANSION ANCHORS OR THRU-BOLTS (NOT PROVIDED).</p> <p>NOTE: For site-specific approval the anchorage to the structure must be independently verified for each installation by the Structural Engineer of Record. The Engineer of Record must also verify that the structure itself is adequate for applied loads.</p> <p>NOTE: Follow site-specific or local requirements when installing shelving.</p>			

SEISMIC FOOT PLATE WITH SINGLE HOLE



* Save this document for future application, load rating and/or safety reference.

© 2021 InterMetro Industries Corporation, Wilkes-Barre, PA 18705
L01-152 REV C 07/21



We put space to work.®

an Ali Group Company



The Spirit of Excellence