

Flow tube dimensions

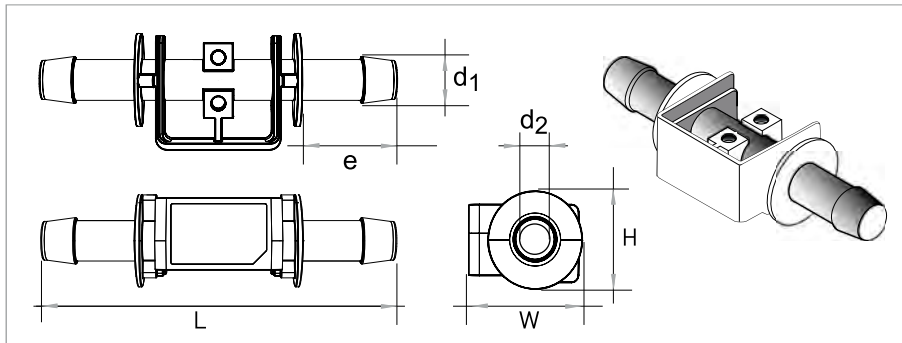


Figure 2-3: Dimensions of the flow tubes

Nominal size	Dimensions flow tube [mm]						Wetted surface [mm <sup>2</sup> ]	Wetted volume [mm <sup>3</sup> ]	Weight [g]
	L	W	H	e	d1	d2			
ID ¼"	70	22	17	16.6	8.5	5.5	1270	1802	6.4
ID 3/8"	95	30	25	25.6	13.6	9.5	2652	5847	13
ID ½"					16.9	12.7	3650	10987	14
ID ¾"	125	45	41	36.0	23.0	19.0	7199	33148	36
ID 1"	140			44.0	30.0	22.2	10026	57470	44

Nominal size	Dimensions flow tube [inches]						Wetted surface [inch <sup>2</sup> ]	Wetted volume [inch <sup>3</sup> ]	Weight [ounce]
	L	W	H	e	d1	d2			
ID ¼"	2.8"	0.9"	0.7"	0.7"	0.3"	0.2"	2.0	0.11	0.22
ID 3/8"	3.7"	1.2"	1"	1"	0.5"	0.4"	4.1	0.36	0.46
ID ½"					0.7"	0.7"	5.7	0.67	0.49
ID ¾"	4.9"	1.8"	1.6"	1.4"	0.9"	0.9"	11.2	2.0	1.3
ID 1"	5.5"			1.7"	1.2"	1.2"	15.5	3.5	1.6