

SECURITY MODULE



SECURITY MODULE - MOUNTED
SECM 2430, SECM 2448, SECM 2460

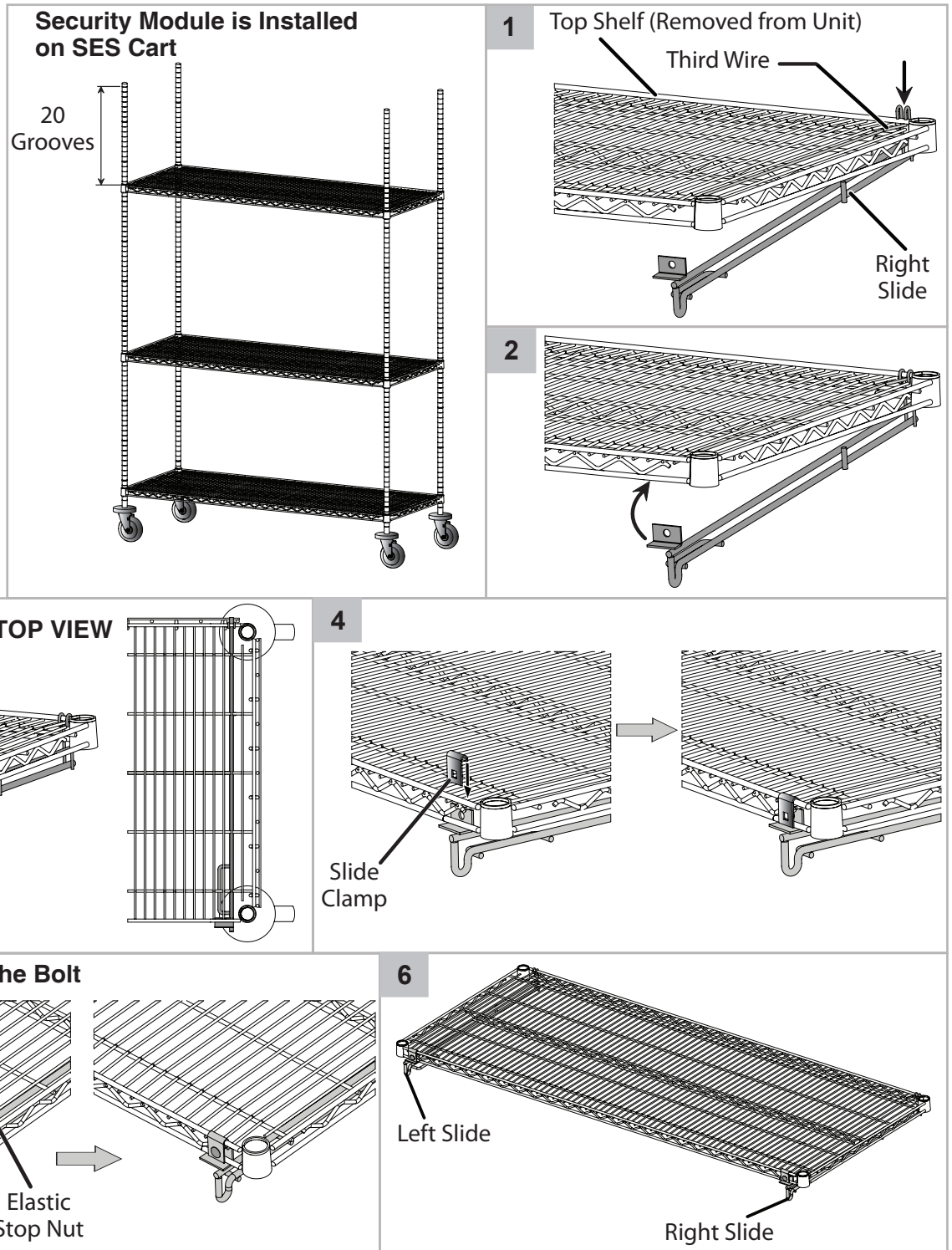


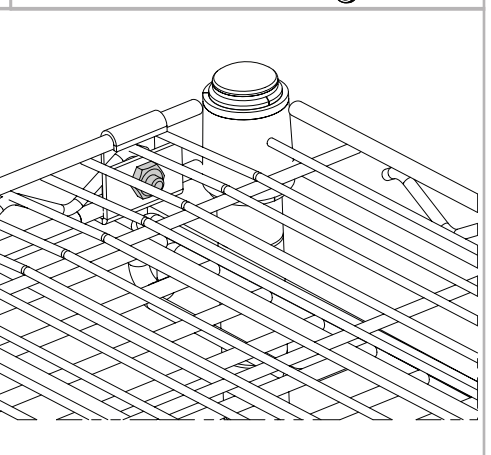
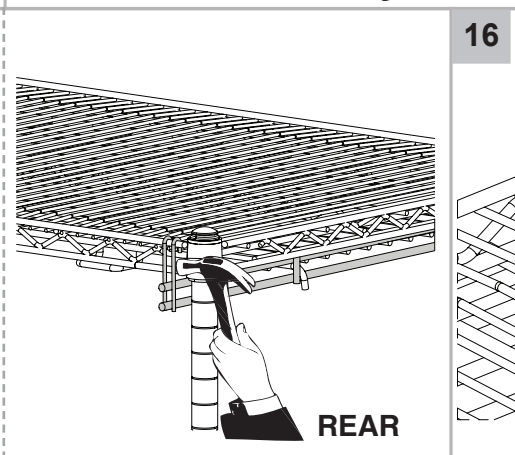
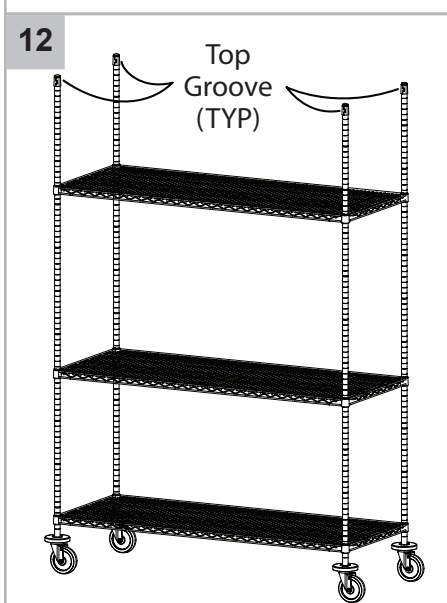
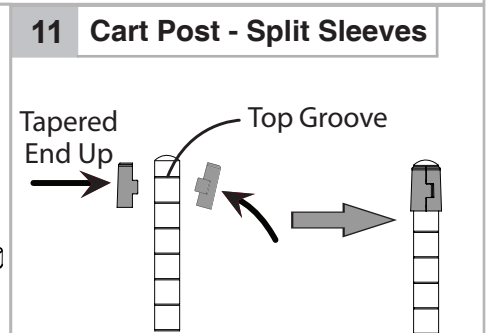
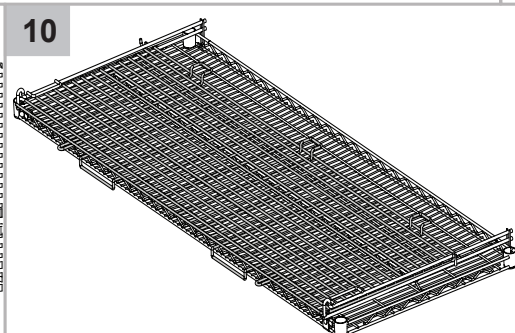
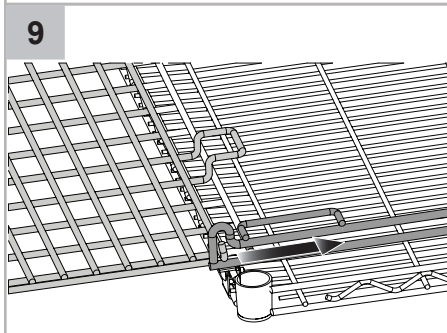
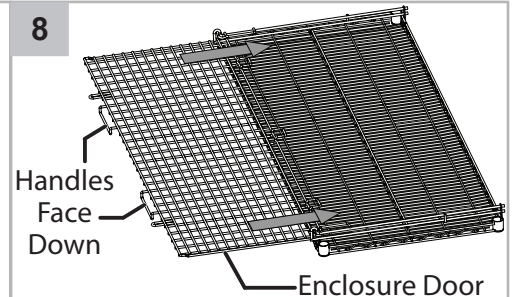
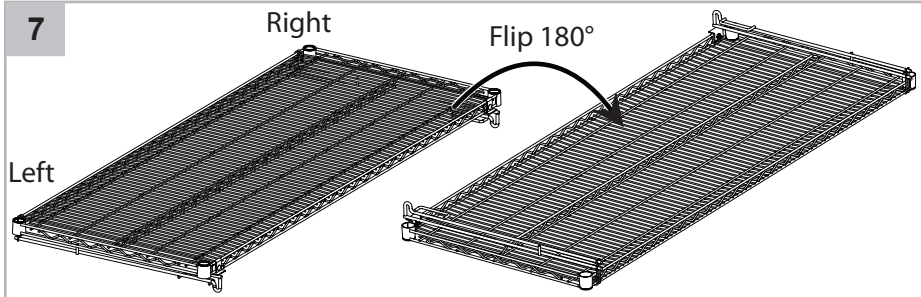
InterMetro Industries Corporation
North Washington Street, Wilkes-Barre, PA USA 18705
For Product Information Call: 1-800-992-1776
Visit Our Web Site: www.metro.com

**INSTRUCTIONS
FOR USE**
Security Module

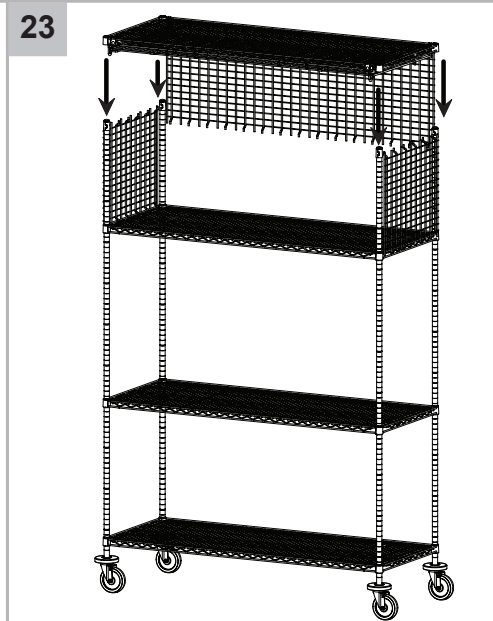
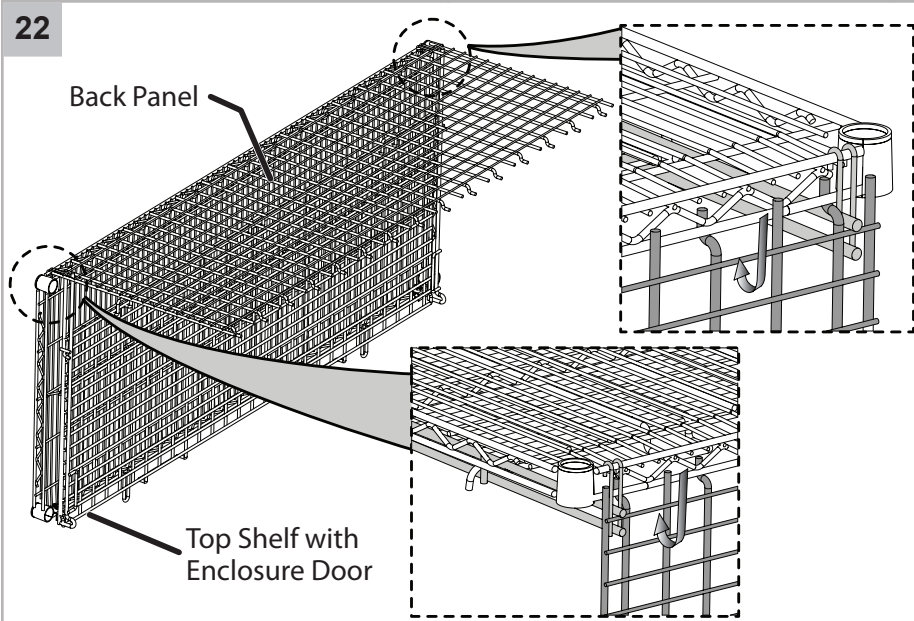
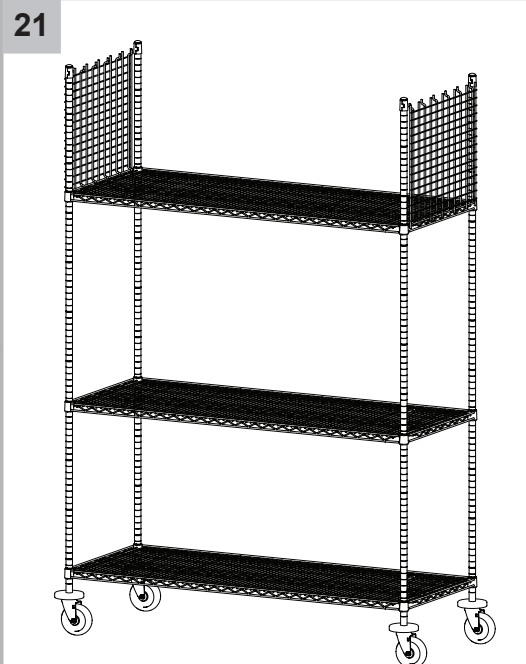
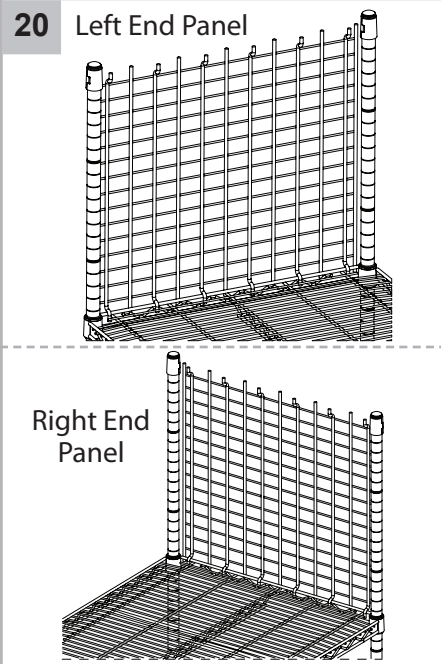
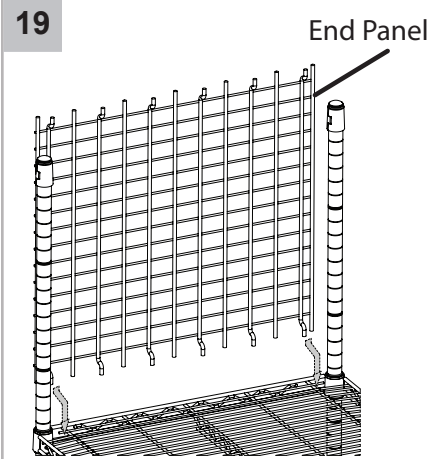
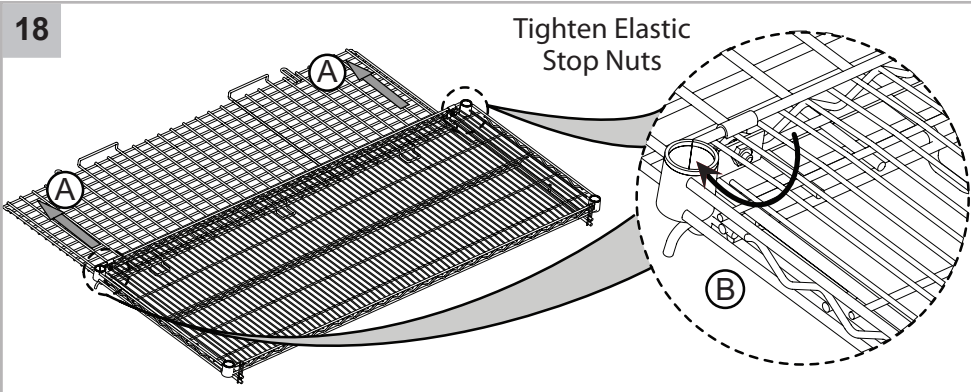
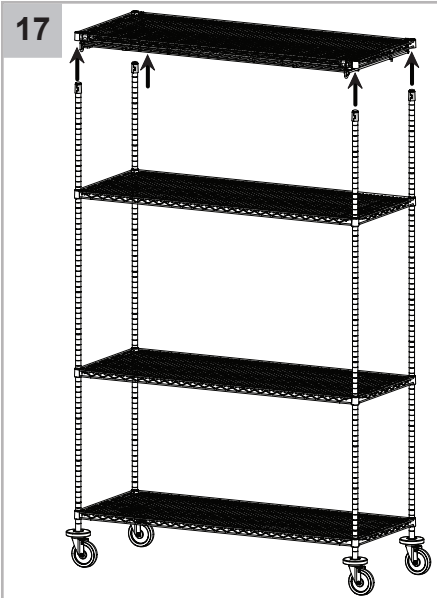
Security Module

INSTRUCTIONS FOR USE -
MODELS SECM 2430,
SECM 2448 & SECM 2460
Two People Required to Assemble Unit.

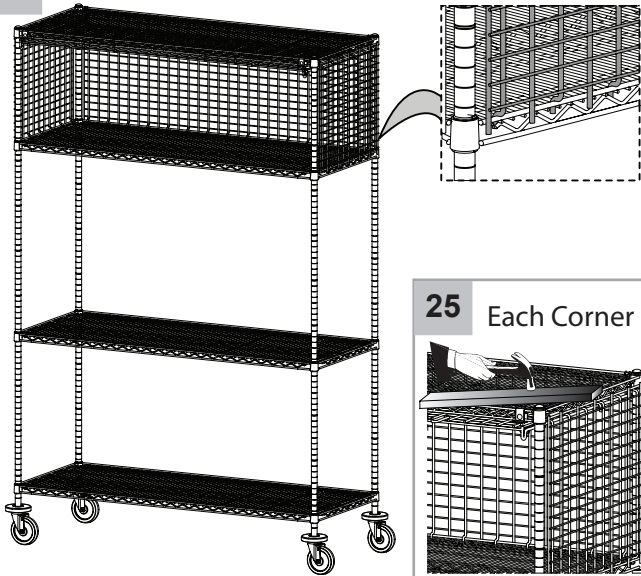




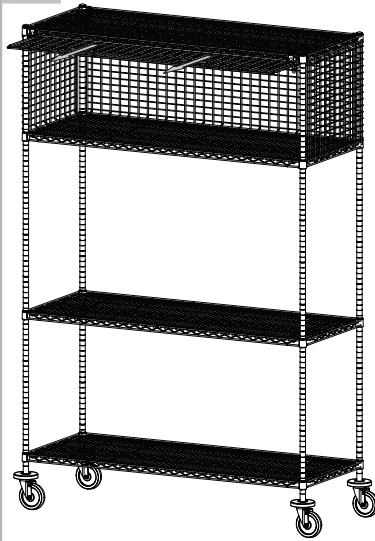
Security Module



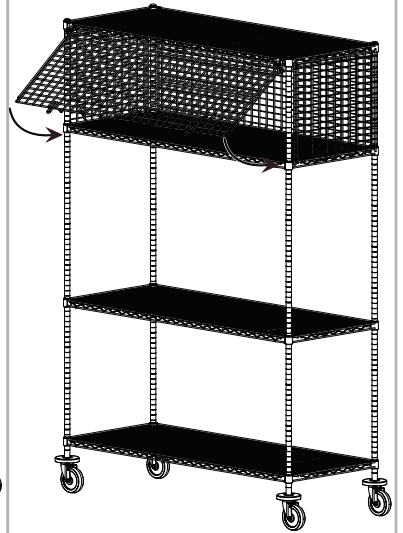
24



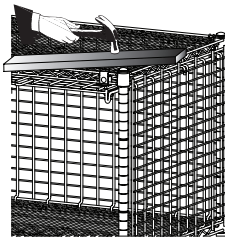
26



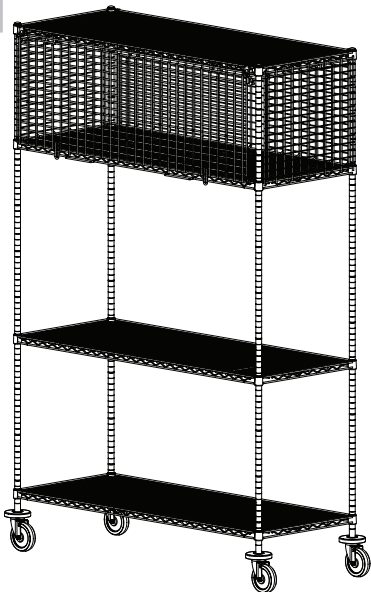
27



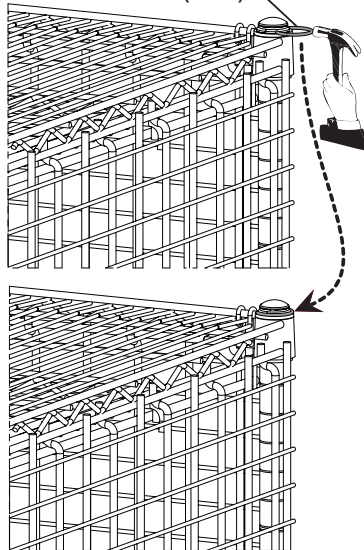
25 Each Corner



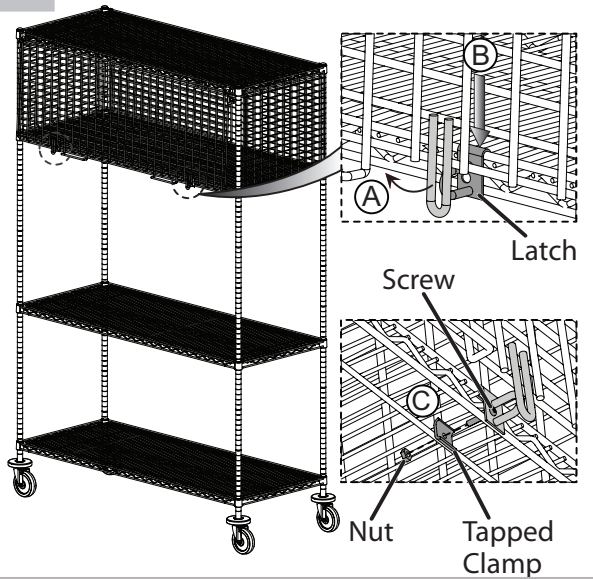
28



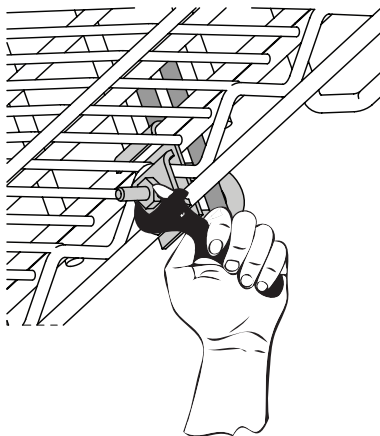
29 Retaining Ring (TYP)



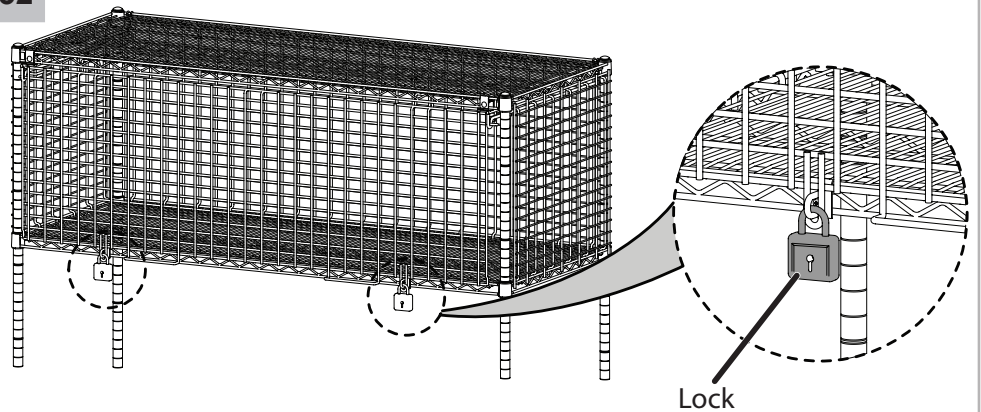
30



31



32 Secure the Unit with Lock



Security Module



THIS COMPLETES THE ASSEMBLY
OF SECURITY MODULE -
MOUNTED ON SES CART

*Save this document for future application, load rating and/or safety reference.



InterMetro Industries Corporation
North Washington Street, Wilkes-Barre, PA USA 18705
For Product Information Call: 1-800-992-1776
Visit Our Web Site: www.metro.com

L01-057
Rev. A
06/11

Information and specifications are subject to change without notice. Please confirm at time of order.