

# Tucked under, yet super accessible.



UNPROTECTED

**24/7**  
PROTECTION



WITH  
MICROBAN

## Preconfigured for easy ordering and maximum value.

The Starsys® Preconfigured Mobile Under Counter Cart is a polymer based, highly adaptive storage cart, that enhances productivity and space efficiency by empowering the end user with the ability to easily relocate, reposition, and transport stored contents as-needed. This ability helps to create a more flexible work space and to meet your changing workflow demands.

### Features & Benefits:

- Durable easy-to- clean, polymer enclosures that won't chip, peel, or rust...ever
- Robust and stable structure for even the most sensitive equipment.
- Security options including non-lock, key locking, and PIN locking with key override
- Mobility of contents to place where needed
- Molded with Microban® antimicrobial protection that works 24/7 for an added level of protection against bacteria, mold and mildew.



[www.metro.com](http://www.metro.com)

# Simple selections.



This Under Counter Storage cart group includes several of the most common configurations that have been preconfigured making them easy-to-order. These preconfigured units come in three different heights, there are three different locking options, and a choice of either door access to contents or a bank of drawers for item storage. All are mobile units designed to increase area volume storage by fitting either under a desk/knee well, standard height counter top or a standing work surface.

Starsys carts are design to be durable. All preconfigured Under Counter carts come with High Density Polyethylene (HDPE) tops, black door / drawer pulls, and 3 inch casters.



Starsys Under Counter Cart with Door



Starsys Under Counter Cart with Drawers

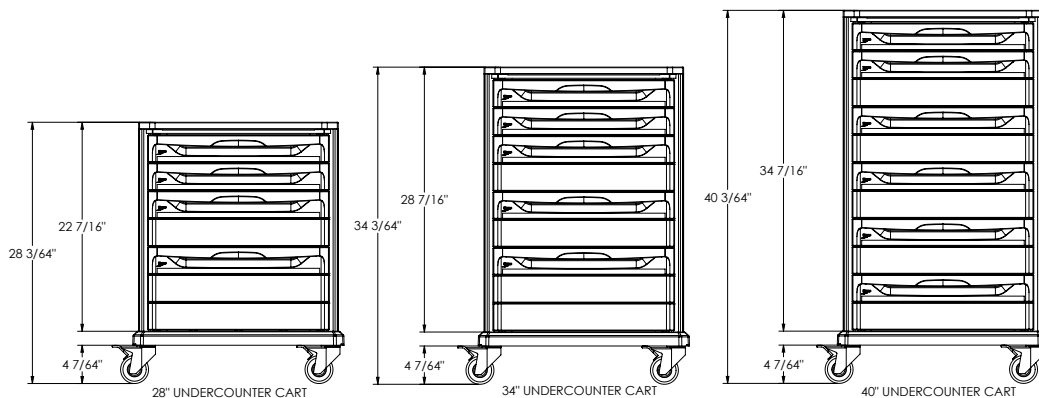


## Standard Drawers

Model No.	Description	Inside Dimensions Height/Width/Length		Weight Capacity	
		(in.)	(mm)	(lbs.)	(kg)
<b>SXRS3</b>	3" (76mm)	2.375x16.375x15.875	60x413x400	25	11.4
<b>SXRS6</b>	6" (152mm)	5.375 x16.375x15.875	136x413x400	40	18.2
<b>SXRS8</b>	9" (230mm)	8.375x 6.375x15.875	213x413x400	40	18.2

## Starsys Under Counter Carts

Non-Locking		Key Locking		PIN Locking	
<b>SXR28NL1</b>	28" (737mm) Tall, Single-Wide w/ Drawers	<b>SXR28KL1</b>	28" (737mm) Tall, Single-Wide w/ Drawers	<b>SXR28PL1</b>	28" (737mm) Tall, Single-Wide w/ Drawers
<b>SXR34NL1</b>	34" (889mm) Tall, Single-Wide w/ Drawers	<b>SXR34KL1</b>	34" (889mm) Tall, Single-Wide w/ Drawers	<b>SXR34PL1</b>	34" (889mm) Tall, Single-Wide w/ Drawers
<b>SXR34NL2</b>	34" (889mm) Tall, Single-Wide w/ Door	<b>SXR34KL2</b>	34" (889mm) Tall, Single-Wide w/ Door	<b>SXR34PL2</b>	34" (889mm) Tall, Single-Wide w/ Door
<b>SXR40NL1</b>	40" (1067mm) Tall, Single-Wide w/ Drawers	<b>SXR40KL1</b>	40" (1067mm) Tall, Single-Wide w/ Drawers	<b>SXR40PL1</b>	40" (1067mm) Tall, Single-Wide w/ Drawers
<b>SXR40NL2</b>	40" (1067mm) Tall, Single-Wide w/ Door	<b>SXR40KL2</b>	40" (1067mm) Tall, Single-Wide w/ Door	<b>SXR40PL2</b>	40" (1067mm) Tall, Single-Wide w/ Door



L07-178 6/20

© 2020 InterMetro Industries Corporation, Wilkes-Barre, PA 18705  
 \*MICROBAN is a registered trademark of Microban Products Company. Microban Antimicrobial product protection inhibits the growth of mold, mildew, fungus, and bacteria that cause odor and stains on surfaces.



We put space to work.®

an Ali Group Company



The Spirit of Excellence