

**A**  
**306 489**  
**Safety Waste Collector II**

- GL45
- 2 Capillary connections
- Fitting 1.6 mm: 2 pieces
- Fitting 2.3 mm: 2 pieces
- Fitting 3.2 mm: 2 pieces

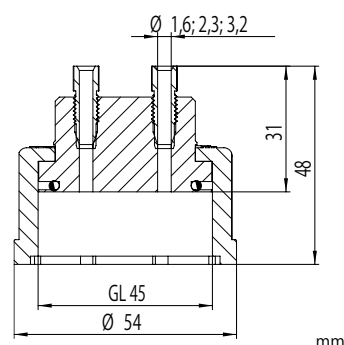


## Safety Waste Collector

SymLine® Safety Waste Collector route the waste tubes from your HPLC system directly into the disposal system. A choice of 2, 3, 4, 5 or 7 connections offers you complete freedom. Fittings for different capillary diameters are included in the scope of delivery.

**B**  
**306 491**  
**Safety Waste Collector III**

- GL45
- 3 Capillary connections
- Fitting 1.6 mm: 3 pieces
- Fitting 2.3 mm: 3 pieces
- Fitting 3.2 mm: 3 pieces

**C**  
**306 498**  
**Safety Waste Collector IV**

- GL45
- 4 Capillary connections
- 1 Tube connection
- Fitting 1.6 mm: 4 pieces
- Fitting 2.3 mm: 4 pieces
- Fitting 3.2 mm: 4 pieces
- Tube connector: 1 piece



**D**  
**117 816**  
**Tube connector**

- Straight
- 6 - 8 mm ID



Fig.	Part No.	Description	Connections	Incl. Fittings for capillary-OD			Incl. Tube conn.
				Ø 1.6 mm	Ø 2.3 mm	Ø 3.2 mm	Ø 5.0 - 11.5 mm
<b>A</b>	306 489	Safety Waste Collector II, V2.0, GL45	2	2x	2x	2x	
<b>B</b>	306 491	Safety Waste Collector III, V2.0, GL45	3	3x	3x	3x	
	306 492	Safety Waste Collector VII, V2.0, GL45	7	7x	7x	7x	
	306 493	Safety Waste Collector IV, V2.0, GL45	4	4x	4x	4x	
	306 494	Safety Waste Collector V, V2.0, GL45	5	5x	5x	5x	
	306 497	Safety Waste Collector II + 1, V2.0, GL45	3	2x	2x	2x	1x
<b>C</b>	306 498	Safety Waste Collector IV, V2.0, GL45	5	4x	4x	4x	1x
<b>D</b>	117 816	Tube connector, straight, 6 - 8 mm ID, PP, UNF 1/4" 28G, suitable for capillary connection					
	160 502	Blind plug for capillary connection UNF 1/4" 28G, PFA, colorless, PU = 5 pieces					