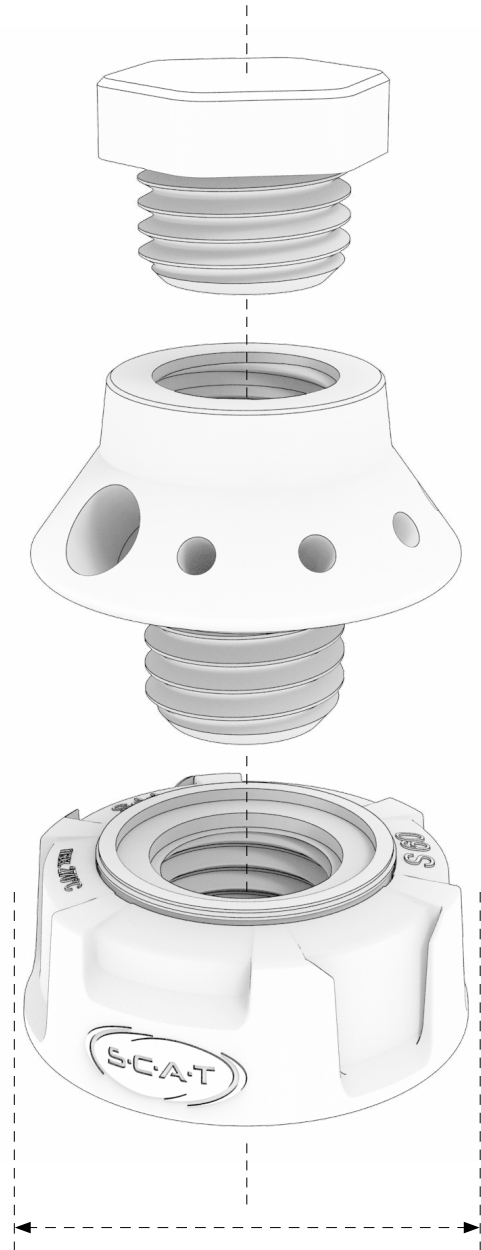


Accessory

Useful Helpers from our Range.

- ✓ Safety Waste Cap
- ✓ Filter and ventilation
- ✓ Tubes and cables



A

450 060
LISA S60/61

- 4 Capillary connections
- 3 Tube connections
- Fitting 1.6 mm: 4 piece
- Fitting 2.3 mm: 4 piece
- Fitting 3.2 mm: 4 piece
- Tube connector: 3 piece
- Blind plug



B

450 110
Blind plug

- Material: PTFE - EL



C

450 100
LISA extension

- 4 Capillary connections
- 3 Tube connections
- Fitting 1.6 mm: 4 piece
- Fitting 2.3 mm: 4 piece
- Fitting 3.2 mm: 4 piece
- Tube connector: 3 piece



D

450 120
Funnel extension

- Safety funnel
- L1 = 140 mm
- Hinged lid
- Removable dirt sieve
- Material: PE-HD-EL



E

450 130
LISA extension

- GL25 Tube connector



F

450 121
LISA extension

- Electronic level control

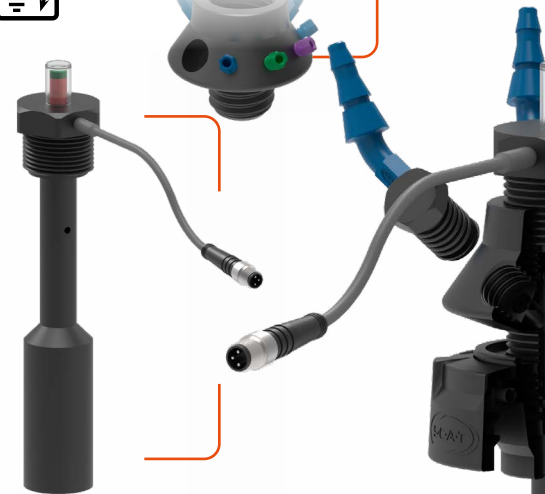
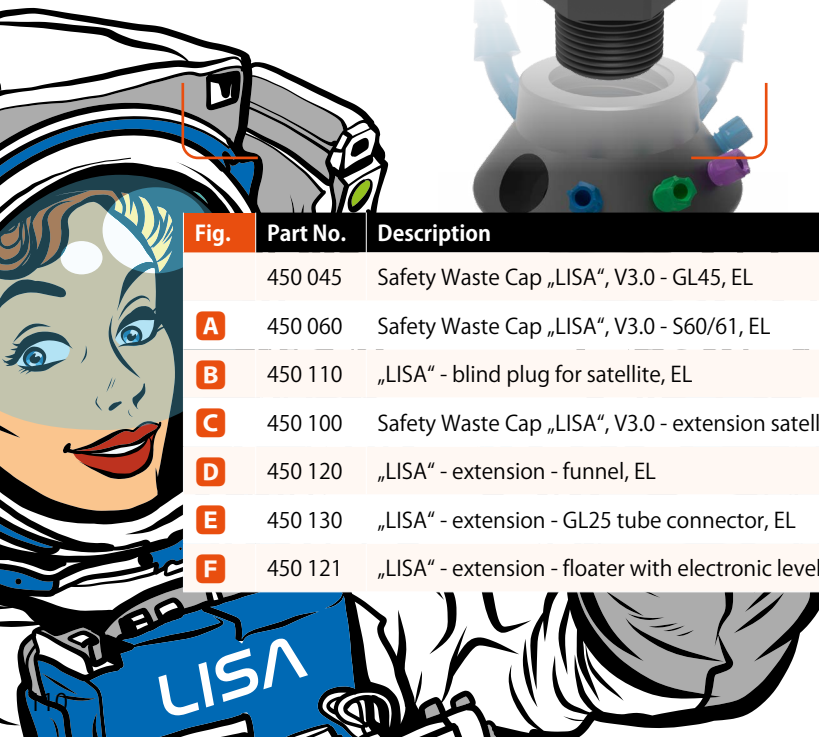



Fig.	Part No.	Description	Material
	450 045	Safety Waste Cap „LISA“, V3.0 - GL45, EL	PTFE-EL
A	450 060	Safety Waste Cap „LISA“, V3.0 - S60/61, EL	PTFE-EL
B	450 110	„LISA“ - blind plug for satellite, EL	PTFE-EL
C	450 100	Safety Waste Cap „LISA“, V3.0 - extension satellite, EL	PTFE-EL
D	450 120	„LISA“ - extension - funnel, EL	PE-HD-EL
E	450 130	„LISA“ - extension - GL25 tube connector, EL	PTFE-EL
F	450 121	„LISA“ - extension - floater with electronic level control, EL	PTFE-EL



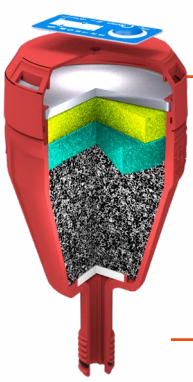
A
410 534
Exhaust Filter S V3.0

- With splash protection
- Change indicator
- 3 months service life



B
410 535
Exhaust Filter M V3.0

- With splash protection
- Change indicator
- 6 months service life



C
407 982
Exhaust Filter M V3.0

- With splash protection
- Change advice label
- 6 months service life



D
407 986
Exhaust Filter L V3.0

- With splash protection
- Change indicator
- 12 months service life



E
106 490
Ventilation set

- Length 1,500 mm
- GL14 (m)
- NPT1/4"




Fig.	Part No.	Description	Material
A	410 534	1x Exhaust Filter S, V3.0, with splash protection and change indicator, 3 months service life	PP
	490 335	4x Exhaust Filter S, V3.0, with splash protection and change indicator, 12 months service life	PP
B	410 535	1x Exhaust Filter M, V3.0, with splash protection and change indicator, 6 months service life	PP
	490 336	2x Exhaust Filter M, V3.0, with splash protection and change indicator, 12 months service life	PP
C	407 982	1x Exhaust Filter M, V3.0, with splash protection and change label, 6 months service life	PP
	490 914	2x Exhaust Filter M, V3.0, with splash protection and change label, 12 months service life	PP
D	407 986	1x Exhaust Filter L, V3.0, with splash protection and change indicator, 12 months service life	PP
	490 986	2x Exhaust Filter L, V3.0, with splash protection and change indicator, 24 months service life	PP
	106 471	Piece of tube for exhaust, PFA, length 100 mm, electrostatic conductive	PFA
E	106 490	Ventilation tube, 1,500 mm, GL14 (m) NPT1/4"	PE-HD-EL
	106 677	Ventilation tube, type 1 for connecting to exhaust filter connection, GL14 (m), ID = 4 mm, OD = 6 mm, smooth outside and inside, PTFE electrostatic conductive, length 2 m	PTFE-EL
	106 693	Ventilation tube with non-return function, 2,000 mm, GL14 (m), PTFE electrostatic conductive	PTFE-EL



A
108 016
PTFE-EL-Tube
• ID = 4 mm
• OD = 6 mm



B
108 015
PFA-EL-Tube
• ID = 9 mm
• OD = 13 mm

- ✓ **Several lengths**
- ✓ **Electrostatic conductive**
- ✓ **Complete compatibility**

Safe flow

Like many of our components, our tubes are also made of electrostatic conductive material. Especially suitable for our SymLine range.



Fig.	Part No.	Description	Material
A	108 016	PTFE-EL-Tube, electrostatic conductive, black, ID = 4 mm, OD = 6 mm, unit = 1 m	PTFE-EL
	108 017	PTFE-EL-Tube, electrostatic conductive, black, ID = 6 mm, OD = 8 mm, unit = 1 m	PTFE-EL
	108 018	PTFE-EL-Tube, electrostatic conductive, black, ID = 8 mm, OD = 10 mm, unit = 1 m	PTFE-EL
	108 019	PTFE-EL-Tube, electrostatic conductive, black, ID = 10 mm, OD = 12 mm, unit = 1 m	PTFE-EL
B	108 015	PFA Plastic tube, electrostatic conductive, black, ID = 9 mm, OD = 13 mm, unit = 1 m	PFA-EL
	106 471	PFA Piece of tube for exhaust, electrostatic conductive, unit = 100 mm	PFA-EL

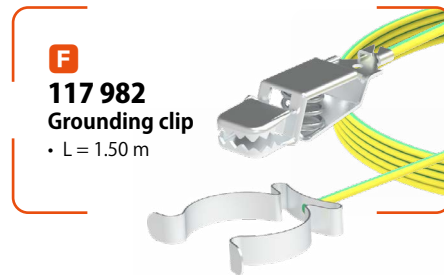
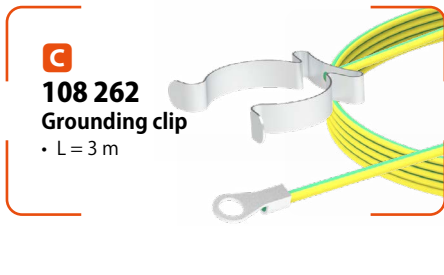
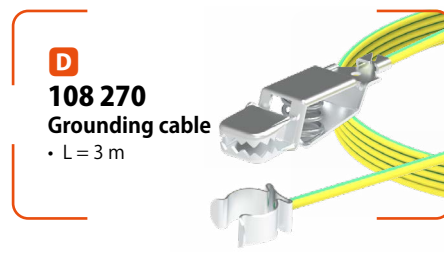
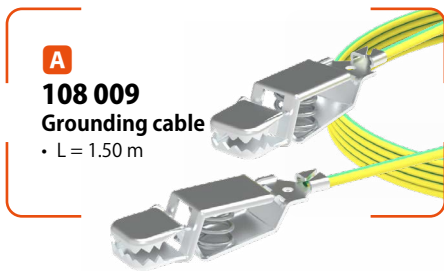


Fig.	Part No.	Description	Material
A	108 009	Grounding cable, 2x clamp	1.50 m
	108 096	Grounding strap, rigid, with grounding cable and clamp, suitable for canister 108 420	1.50 m
B	108 176	Grounding cable, 1x clip for Ø 32 mm pipe, 1x clamp	3.00 m
C	108 262	Grounding clip for Ø 32 mm pipe, with ring connector ID 5 mm	3.00 m
D	108 270	Grounding cable, 1x clip for FlexTube, 1x clamp	3.00 m
E	108 285	Grounding cable with 1x spring steel clamp and 1x ring connector ID 6 mm	1.50 m
	108 289	Grounding clip for SymLine FlexTube, 1x spring steel clamp, 1x ring connector ID 5 mm	3.00 m
	108 309	Grounding cable, 1x clip for FlexTube, 1x ring connector ID 6 mm	0.70 m
F	117 982	Grounding cable, 1x clamp, 1x ring ID 5 mm	1.50 m

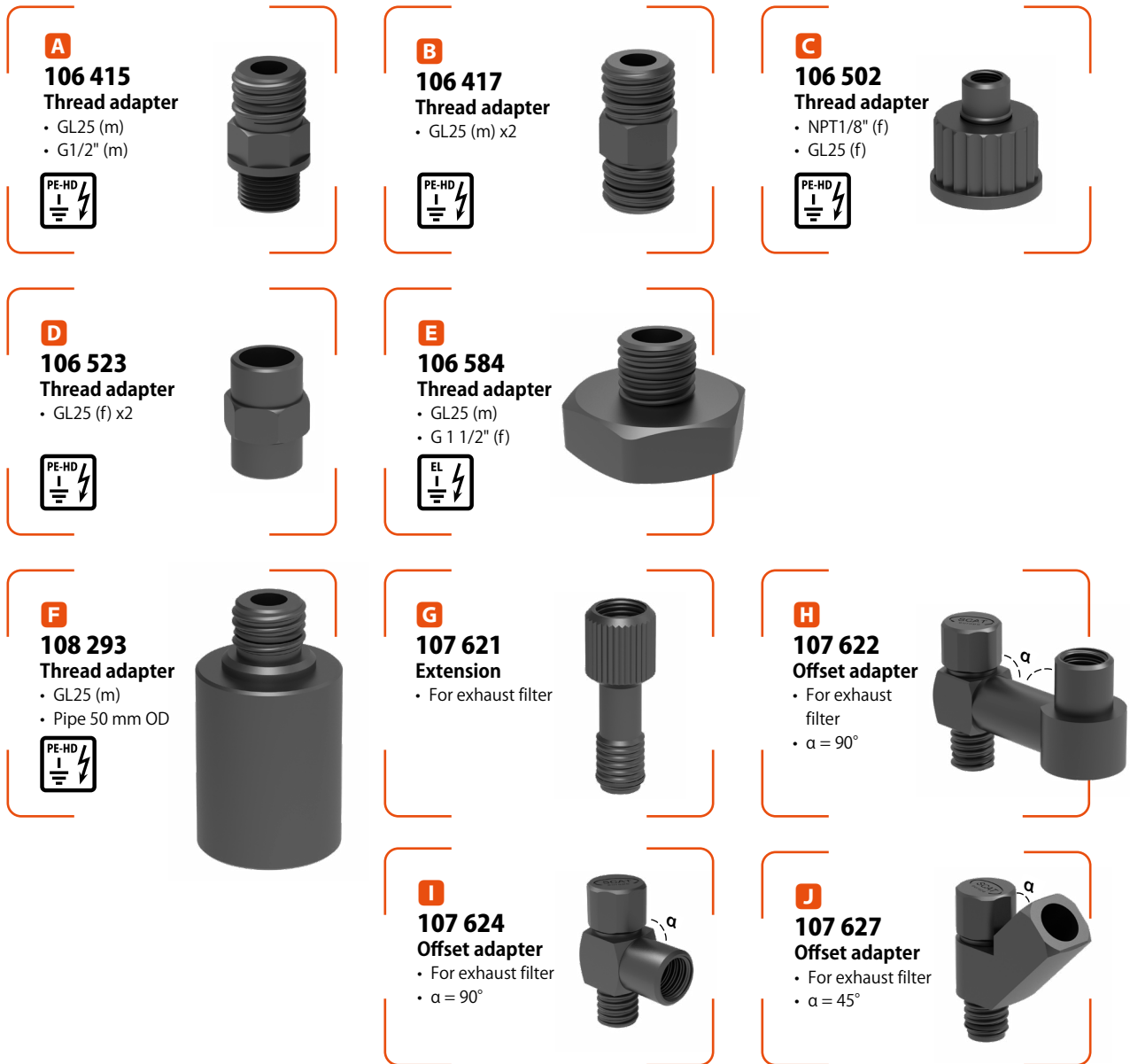
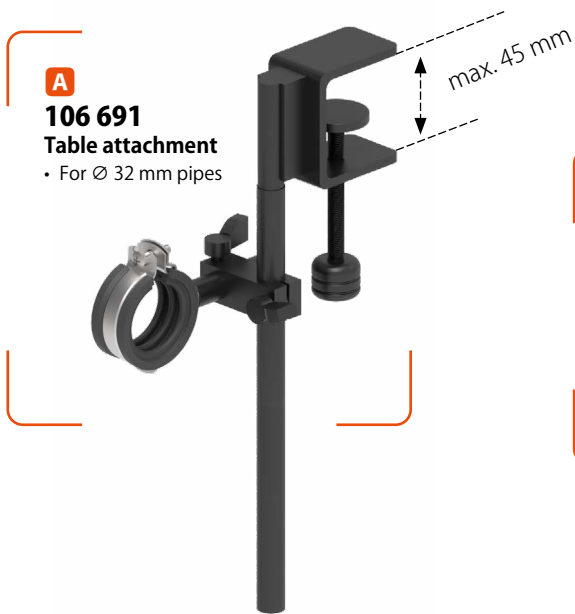


Fig.	Part No.	Description	Material
A	106 415	Thread adapter, PE-HD electrostatic conductive, GL25 (m) to G1/2" (m)	PE-HD-EL
B	106 417	Thread adapter, PE-HD electrostatic conductive, GL25 (m) to GL25 (m)	PE-HD-EL
C	106 502	Thread adapter, PE-HD electrostatic conductive, NPT1/8" (f) to GL25 (f)	PE-HD-EL
D	106 523	Thread adapter, GL25 (f) to GL25 (f), PE-HD electrostatic conductive	PE-HD-EL
E	106 584	Thread adapter for sink, PTFE electrostatic conductive, GL25 (m) to G 1 1/2" (f)	PTFE-EL
F	108 293	Thread adapter, PE-HD electrostatic conductive, GL25 (m) to pipe 50 mm OD	PE-HD-EL
G	107 621	Offset adapter, extension for exhaust filter, GL14 (f) to GL14 (m)	PE-HD
H	107 622	Offset adapter 90°, long, for exhaust filter, GL14 (f) to GL14 (m)	PE-HD
I	107 624	Offset adapter 90°, for exhaust filter, GL14 (f) to GL14 (m)	PE-HD
J	107 627	Offset adapter 45°, for exhaust filter, GL14 (f) to GL14 (m)	PE-HD



A
106 691
Table attachment
• For Ø 32 mm pipes



B
106 695
Wall attachment
• For Ø 32 mm pipes
3 Fastening options:
• Self-adhesive (mounting aid)
• Screw fastening
• Magnetic



C
106 609
Attachment
• For Ø 32 mm pipes



D
106 579
Screwing FlexTube
• GL25



E
106 591
Screwing FlexTube Pro
• GL25



F
106 558
Tube holder



G
121 211
Borehole reduction adapter
• (OD) 54 - 75 mm
• (ID) 33 mm

Fig.	Part No.	Description	Material
A	106 691	SymLine FLEX Table attachment for tabletop up to 45 mm	
B	106 695	SymLine FLEX Wall attachment	
C	106 609	Attachment for pipes, Ø = 32 mm	
D	106 579	Screwing GL25 for FlexTube, unit = 2 pc.	PTFE-EL
E	106 591	Screwing GL25 for FlexTube Pro, unit = 2 pc.	PPS /PTFE-EL
F	106 558	Tube holder for FlexTube Pro, suitable for all cabinets, material PA66 non-halogen	PA66
	106 562	Tube holder for FlexTube, suitable for all cabinets, material PA66 non-halogen	PA66
G	121 211	Borehole reduction adapter, (ID) 33 mm, (OD) 54 - 75 mm, PE-HD electrostatic conductive	PE-HD-EL