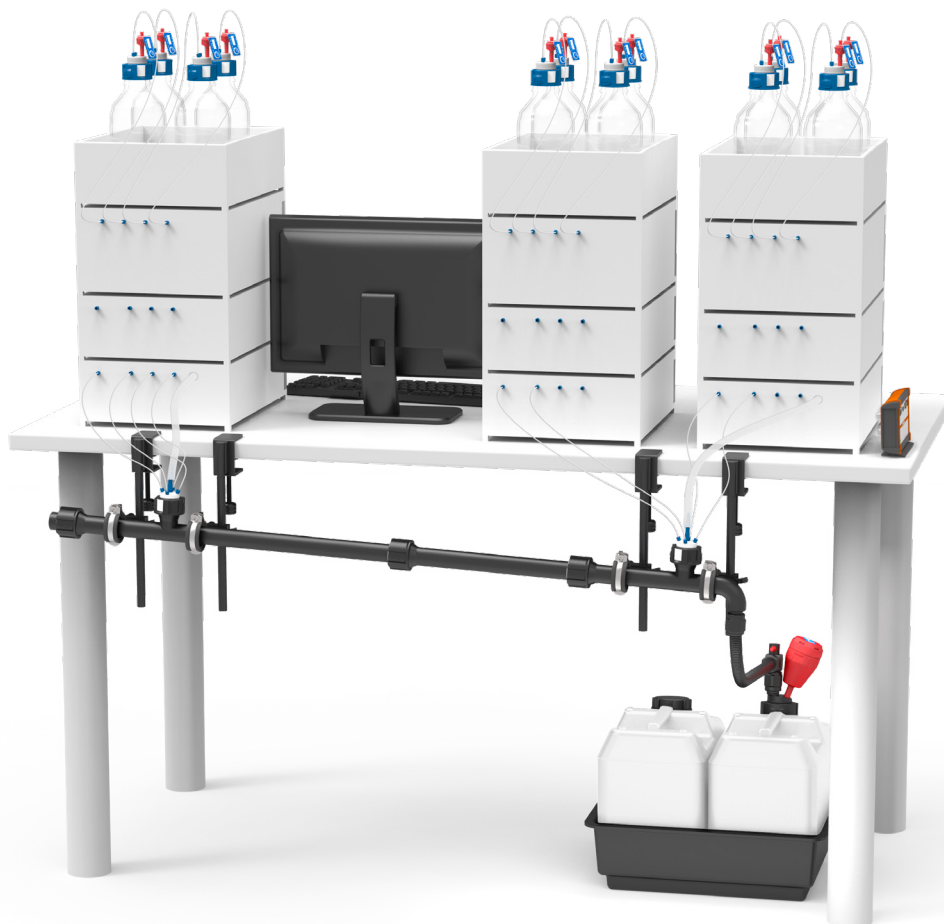
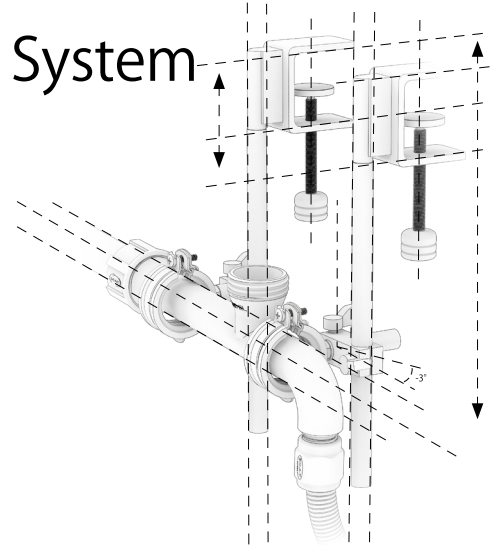


# SymLine FLEX

The Flexible Waste Disposal System for HPLC Work Stations.

- ✓ Retrofit / laboratory refit
- ✓ Simple Installation
- ✓ Do-it-yourself modular system



**BEFORE**



**AFTER**



Intro

Filling Units

Pipe and Tube System

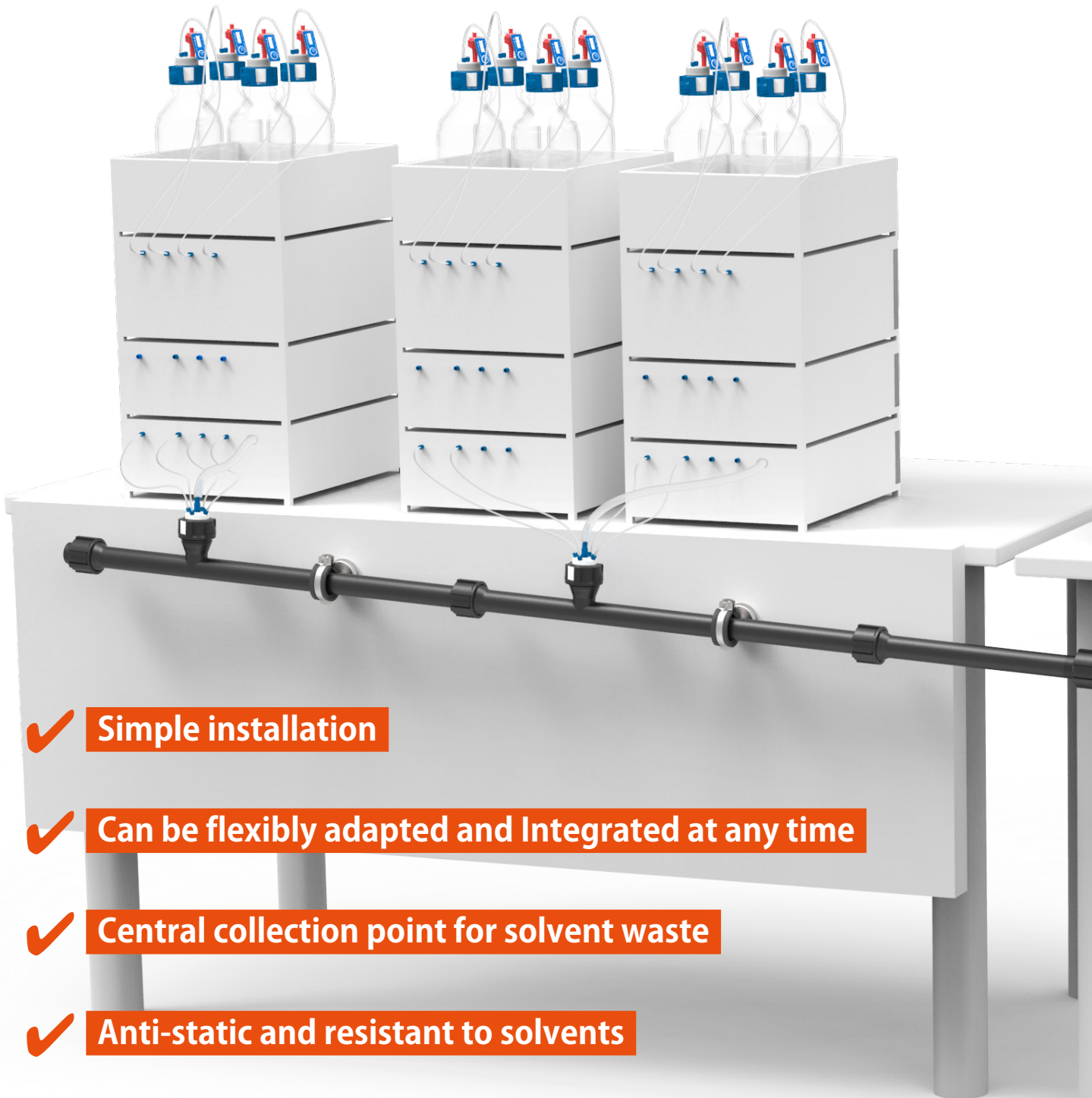
Disposal

Level Control

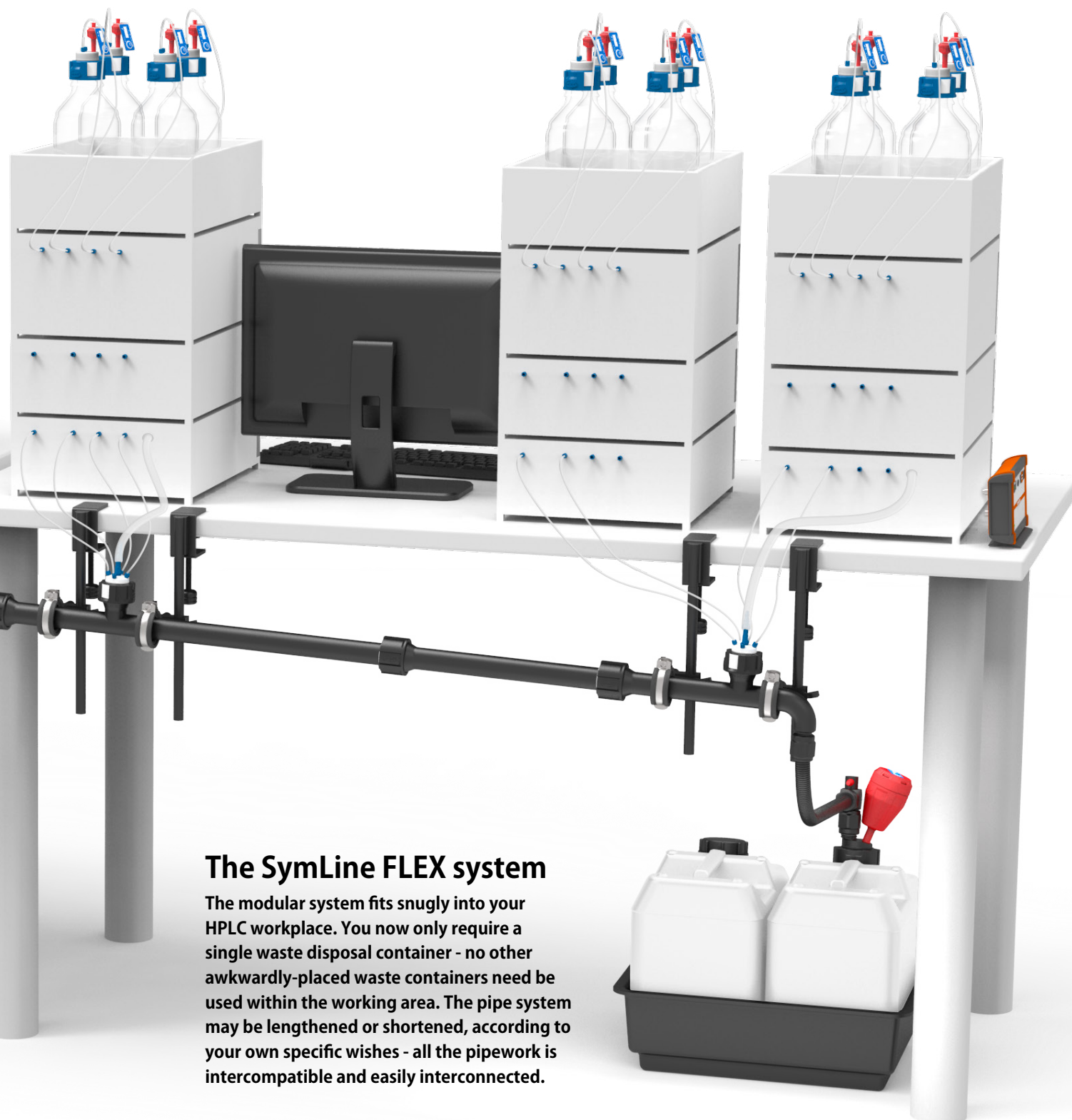
High Flow Solution

**FLEX**

Accessory



- ✓ **Simple installation**
- ✓ **Can be flexibly adapted and Integrated at any time**
- ✓ **Central collection point for solvent waste**
- ✓ **Anti-static and resistant to solvents**
- ✓ **Closed system, suitable for both solvent feed and waste disposal**



## The SymLine FLEX system

The modular system fits snugly into your HPLC workplace. You now only require a single waste disposal container - no other awkwardly-placed waste containers need be used within the working area. The pipe system may be lengthened or shortened, according to your own specific wishes - all the pipework is intercompatible and easily interconnected.

Intro

Filling Units

Pipe and Tube System

Disposal

Level Control

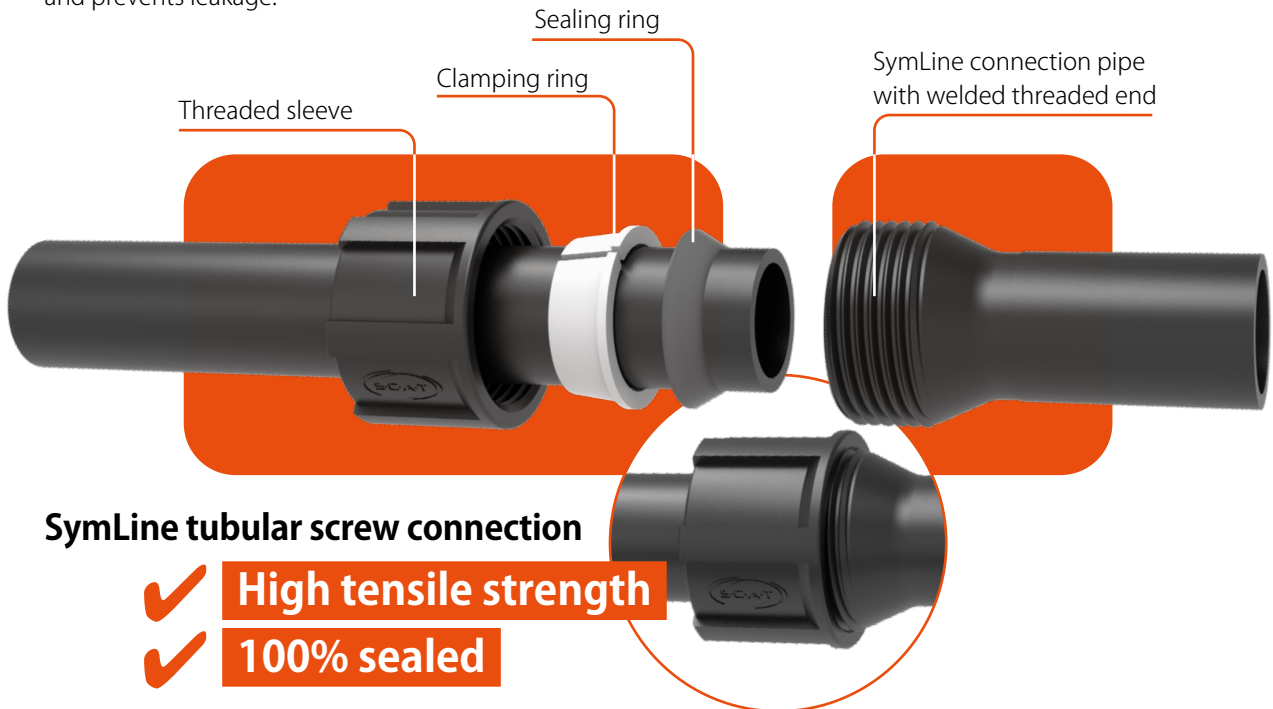
High Flow Solution

FLEX

Accessory

## The tubular system: safe attachment, optimum flow direction

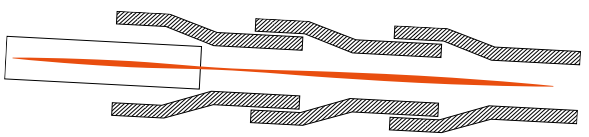
The SymLine FLEX tube extensions have a funnel-shaped threaded sleeve at one end and a smooth tube opening at the other. In order to tightly interconnect the tubular system, the threaded sleeve, clamping ring and sealing ring are simply pushed over the smooth end of one tube, and this is then firmly screwed on to the threaded part of the following extension piece ( i.e. on the other tube ). When done properly (tightening torque 10 - 15 Nm), the resulting connection will withstand a tensile force of **400 N**. The system allows for optimum flow of waste liquids and prevents leakage.



### SymLine tubular screw connection

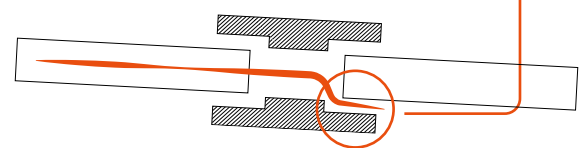
- ✓ **High tensile strength**
- ✓ **100% sealed**

**SymLine construction method - optimal for waste transport**



SymLine construction, with optimum liquid flow. Liquids flow continually downwards, from the smooth pipe end, into the interconnected threaded one.

**Typical construction principle - prone to leaking!**



Smooth pipe ends are interconnected, using connecting sleeves. This results in increased danger of leakage.



### SymLine material properties

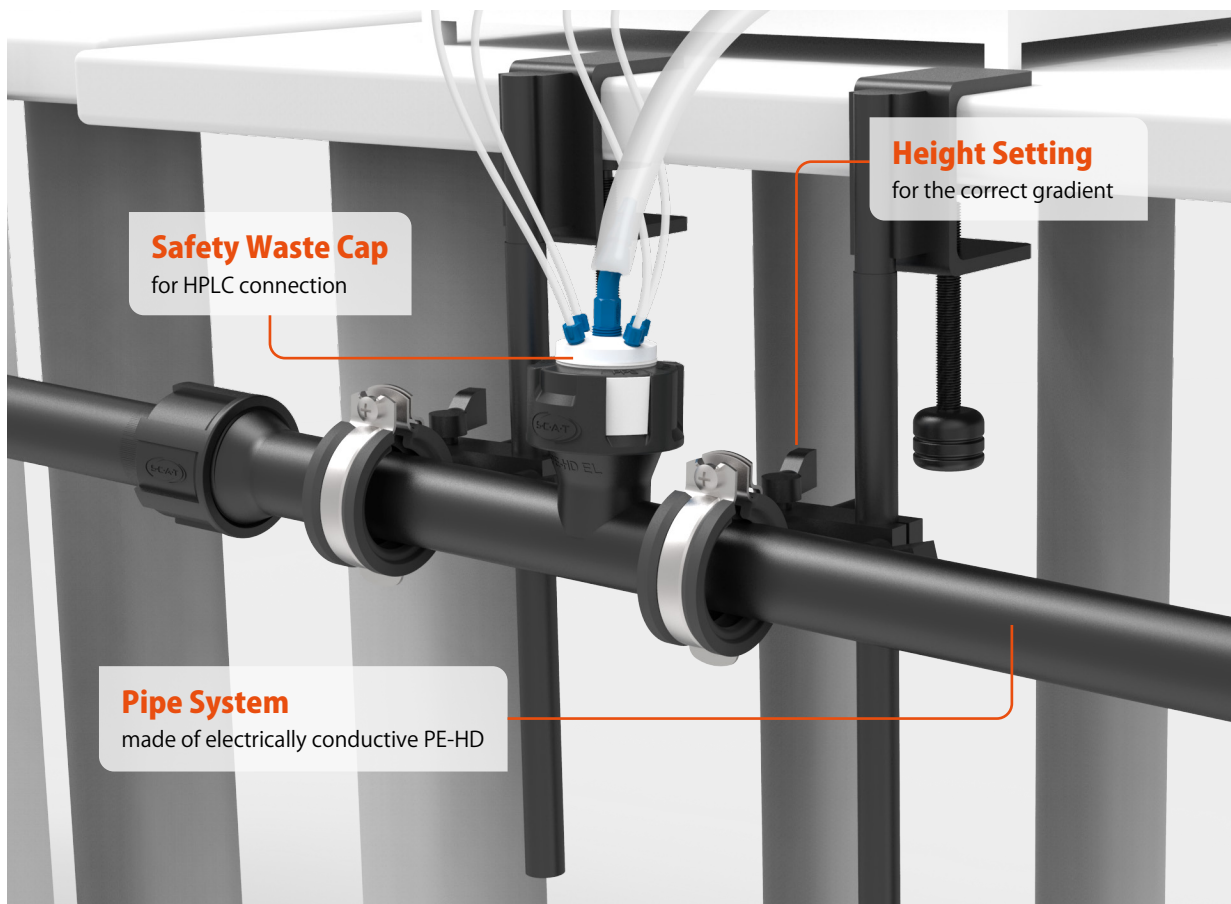
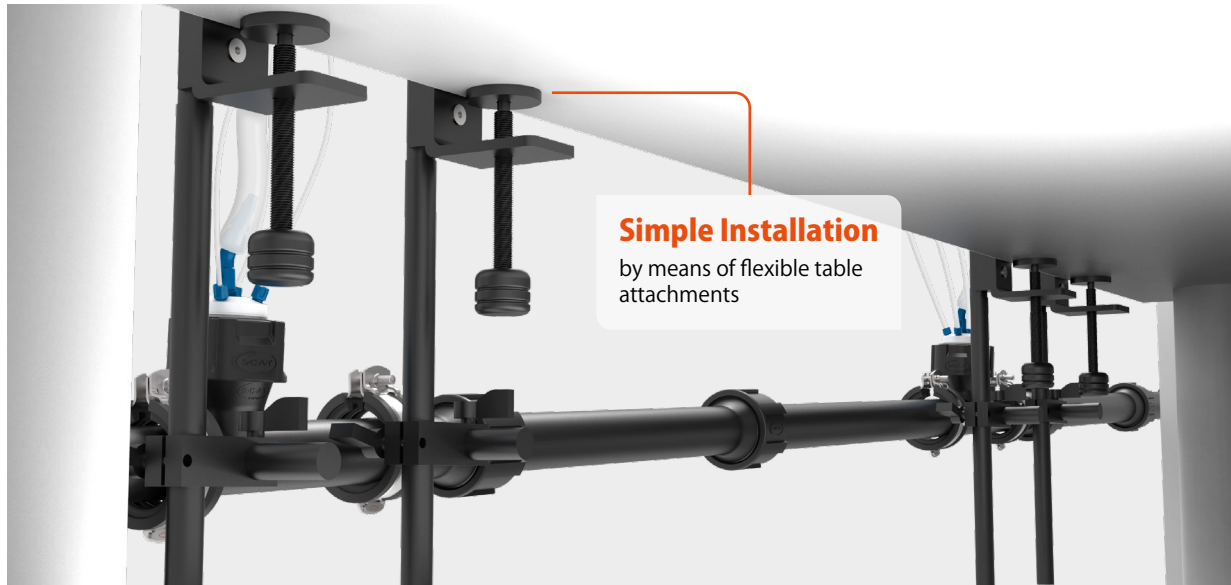
All components made of electrostatic conductive plastic can be earthed and are suitable for voltage equalization, as per TRGS 727. Electrically conductive PE-HD-EL displays a discharge resistance against earth of  $< 10^9 \Omega$ , as per DIN EN 61340-5-1, and is suitable for Zones 0, 1 and 2, as per the German Hazardous Substances Ordinance (GefStoffV), EN 1127-1, DIN EN 60079-10-1 and DIN EN 60079-10-2. It is resistant to chemicals, as defined in SEFA 3 and SEFA 8.

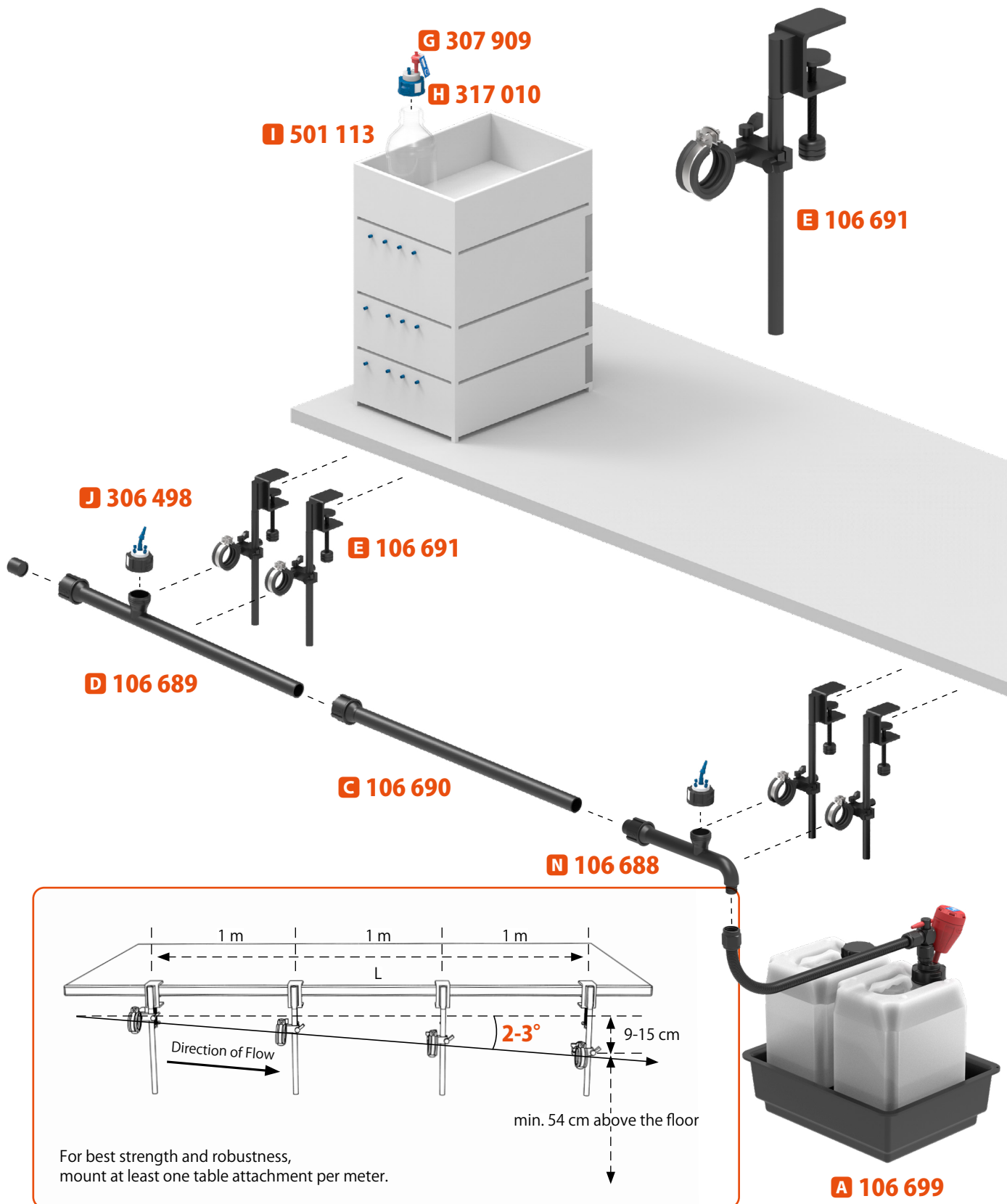
- ✓ **• TRGS 727**  
**• DIN EN 61340-5-1**
- ✓ **• ATEX zone 0, 1 and 2**  
**• EN 1127-1**
- ✓ **• DIN EN 60079-10-1**  
**• DIN EN 60079-10-2**
- ✓ **• SEFA 3**  
**• SEFA 8**

## Installation: easy, flexible and safe

The flexible table installation allows for connections to your equipment to be made at any desired place. The resultant height then gives the required gradient - leading to a safe downward flow of liquid.

A table mounting is possible for various tabletop thicknesses, and the required attachments can be installed at the tabletop without the use of any tools.





Incline (degr.)	corresponds to %	Height difference per metre	Max. length for a table height of 89 cm
2°	3,49 %	3 cm	L = 687 cm
3°	5,24 %	5 cm	L = 457 cm



## Flexible wall attachment

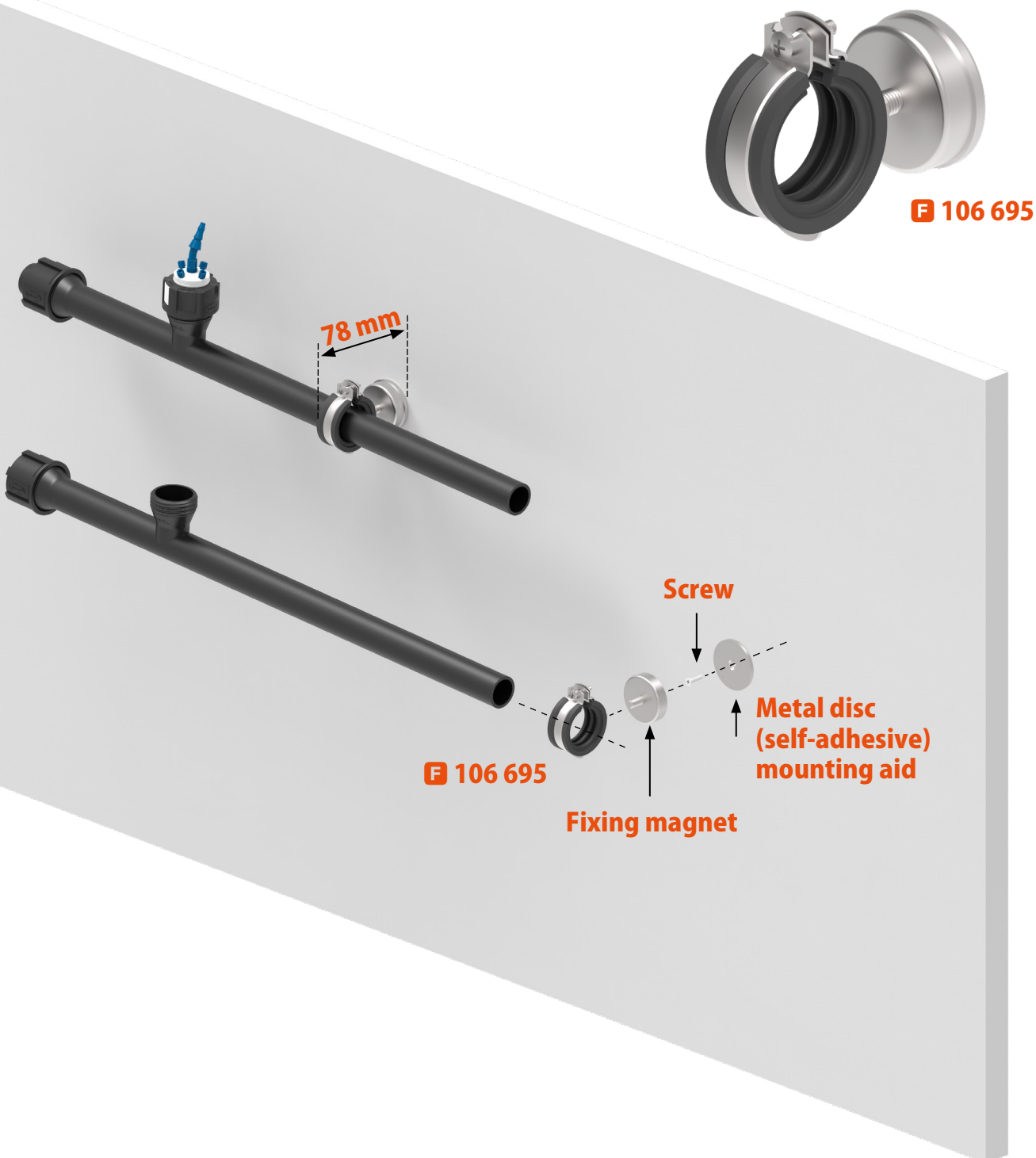
**Screw fastening:** suitable for wooden and synthetic surfaces.

**Self-adhesive:** non-destructive, suitable for almost all surface types.

**We only recommend self-adhesive variants as an aid to attachment!**

**Magnetic:** non-destructive, suitable for metal surfaces.

The strong fixing magnet provides for a sufficiently strong attachment - without screws.



**A SET**

**106 699**

**SymLine Flex  
Starter Set US**

- 1x Safety Waste Cap
- 1x Exhaust filter
- 2x Canisters
- Collection tray
- Blind plug
- Grounding cable
- FlexTube with shut-off valve



**B SET**

**106 701**

**SymLine FLEX- E-Pack  
for Starter Set**

- Safety Waste Cap S60/61 (106480)
- Signal cable (108050) length = 3 m
- Signalbox T1 - US model



**C**  
**106 690**  
Extension 1

- Ø 32 mm pipe
- L1 = 600 mm
- Material: PE-HD EL

**D**  
**106 689**  
Extension 2

- Ø 32 mm pipe
- L1 = 600 mm / L2 = 200 mm / L3 = 400 mm
- 1 Connection for Safety Waste Cap **D**
- Material: PE-HD EL

**106 700**  
Extension 3

- Ø 32 mm pipe
- L1 = 1200 mm
- Material: PE-HD EL

**N**  
**106 688**  
Basic 32 pipe

- Ø 32 mm pipe
- L1 = 310 mm
- Material: PE-HD EL
- GL45 connection

**O**  
**106 713**  
T-piece

- Ø 32 mm pipe
- Material: PE-HD EL
- GL45 connection

**P**  
**106 727**  
Curved element

- Ø 32 mm pipe
- Material: PE-HD EL
- GL45 connection

**E**  
**106 691**  
Table attachment

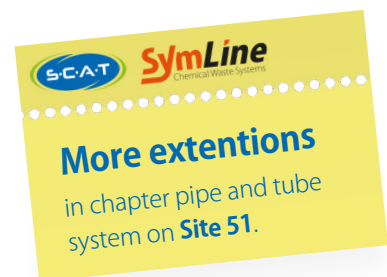
- for Ø 32 mm pipes
- for table tops with up to 45 mm height

**F**  
**106 695**  
Wall attachment

- for Ø 32 mm pipes
- 3 Fastening options:**
- Self-adhesive (Mounting aid)
- Screw fastening
- Magnetic

**i Flexible pipe lengths**

The specific pipe lengths required can be constructed, using a suitable pipe cutter. Shorten the pipes to the desired lengths, on their smooth sides.



- Intro
- Filling Units
- Pipe and Tube System
- Disposal
- Level Control
- High Flow Solution
- FLEX
- Accessory

## Safety Cap

Proven SCAT safety technology provides for optimum protection, both during the supply, and during the disposal, of solvents. Solvent vapors are blocked and filtered out. The system is therefore independent of other extraction systems within the laboratory.

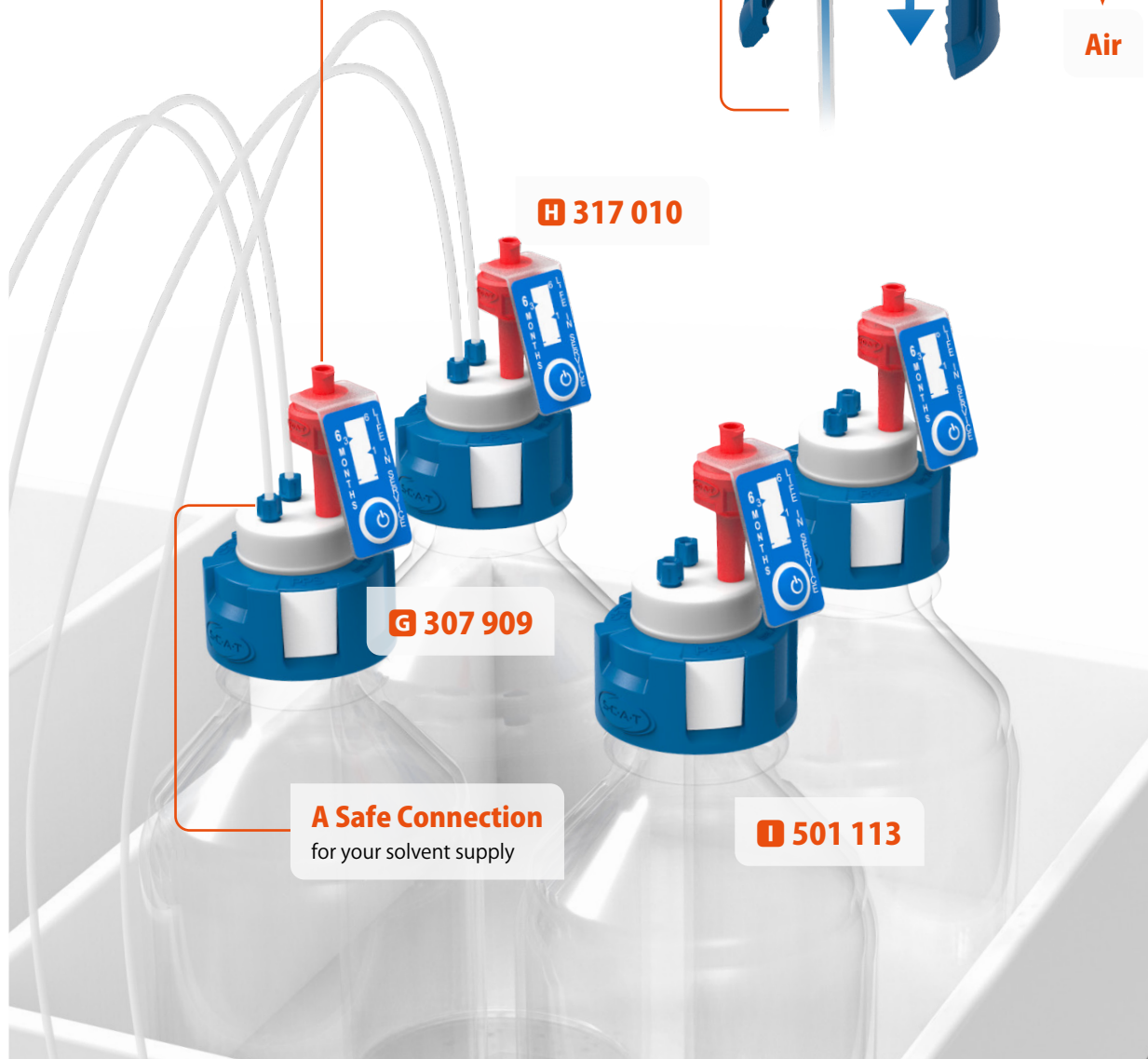
SCAT Safety Caps ensure that your solvents are kept clean and remain stable. They protect users and the environment from the effects of solvent vapors, and enable a continual smooth operation of the HPLC facility.

### Safety Caps

with air ventilation valve

Solvent

Air



317 010

307 909

**A Safe Connection**  
for your solvent supply

501 113

## Safety Waste Cap

The integrated exhaust filter allows for optimum safety at the point of collection. It provides for a safe equalization of pressure within the container, and solvent fumes are filtered out. The liquid level control ensures that containers cannot overflow, without it being noticed.

**Exhaust Filter**  
with three types  
of active carbon

- 3. layer - binds acids
- 2. layer - binds alkalis
- 1. layer - adsorbs solvent vapors

**Shut-Off Valve**

for safe container exchange

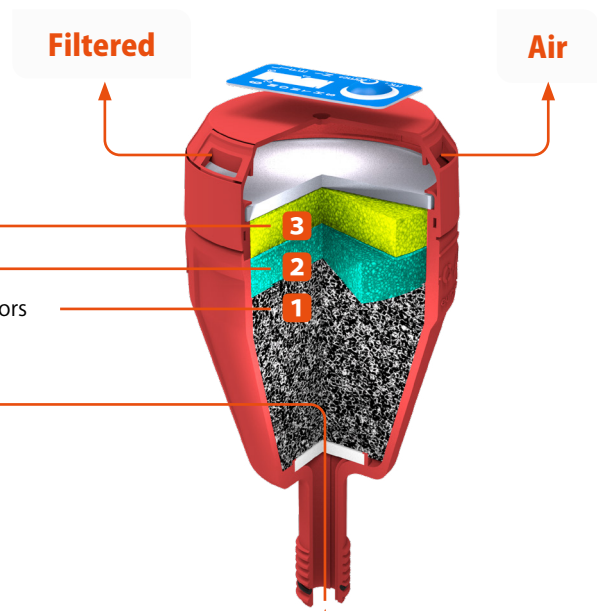
**Vapors**

**K 490 336**

**Collection Container**

constructed of electrically  
conductive PE-HD, thereby  
preventing the buildup  
of static charge

**Collection Tray**



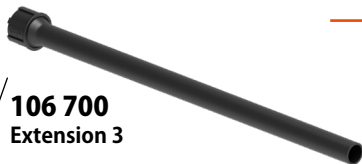
**A SET**  
**106 699**  
SymLine Flex  
Starter Set US



**B SET**  
**106 701**  
SymLine FLEX- E-Pack  
for Starter Set



**C**  
**106 690** / **106 700**  
Extension 1 / Extension 3



**D**  
**106 689**  
Extension 2



**N**  
**106 688**  
Basic 32 pipe



**O**  
**106 713**  
T-piece



**P**  
**106 727**  
Curved element



**E**  
**106 691**  
Table attachment



**F**  
**106 695**  
Wall attachment  
3 Fastening options:  
• Self-adhesive (Mounting aid)  
• Screw fastening  
• Magnetic



Fig.	Part No.	Description
<b>A</b>	106 699	SymLine Flex Starter Set US: FlexTube with shut-off valve, 1x Safety Waste Cap, 1x Exhaust filter, 2x Canisters, Collection tray, Grounding cable, Blind plug
<b>B</b>	106 701	SymLine FLEX- E-Pack for Starter Set: Safety Waste Cap S60/61, Signalbox T1 - US model, Signal cable length = 3 m
<b>C</b>	106 690	SymLine FLEX Extension 1, Ø 32 mm pipe, PE-HD-EL, length 600 mm
<b>C</b>	106 700	SymLine FLEX Extension 3, Ø 32 mm pipe, PE-HD-EL, length 1200 mm
<b>D</b>	106 689	SymLine FLEX Extension 2, Ø 32 mm pipe, PE-HD-EL, length 600 mm, 1x connection for Safety Waste Cap <b>D</b>
<b>N</b>	106 691	SymLine FLEX Basic 32 pipe, Ø 32 mm pipe, PE-HD-EL, length 310 mm, GL45 connection
<b>O</b>	106 713	SymLine FLEX T-piece, Ø 32 mm pipe, PE-HD-EL, GL45 connection
<b>P</b>	106 727	SymLine FLEX Curved element, Ø 32 mm pipe, PE-HD-EL, GL45 connection
<b>E</b>	106 691	SymLine FLEX Table attachment, for Ø 32 mm pipes, for table tops with up to 45 mm height
<b>F</b>	106 695	SymLine FLEX Wall attachment, for Ø 32 mm pipes

**G**

**307 909**  
**SCAT SafetyCap II**

- For HPLC solvent supply
- With air ventilation valve
- 2 connections for  $\varnothing$  3.2 mm OD capillaries
- GL45 thread



**H**

**317 010**  
**SCAT Air Ventilation Valve (V2.0)**

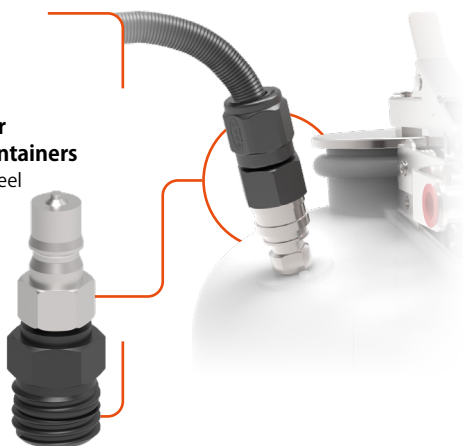
- For SCAT Safety Caps
- Lifetime: 6 months



**J**

**160 529**  
**Adapter for Justrite Containers**

- stainless steel
- PE-HD-EL
- GL25



**K**

**306 498**  
**SCAT Safety Waste Cap**

- For HPLC waste tubes
- 4 Connections for  $\varnothing$  2.3 / 3.2 mm OD capillaries
- 1 Connection for  $\varnothing$  5.0 - 11.5 mm ID tube
- Includes blind plugs for unused connections
- Includes fittings and tube connections
- GL45 thread



**I**

**501 113**  
**Supply bottle**

- 1 litre, clear glass
- GL45 thread



**L**

**490 336**  
**SCAT Exhaust Filter**

- For the collection unit
- 3 layers of active carbon



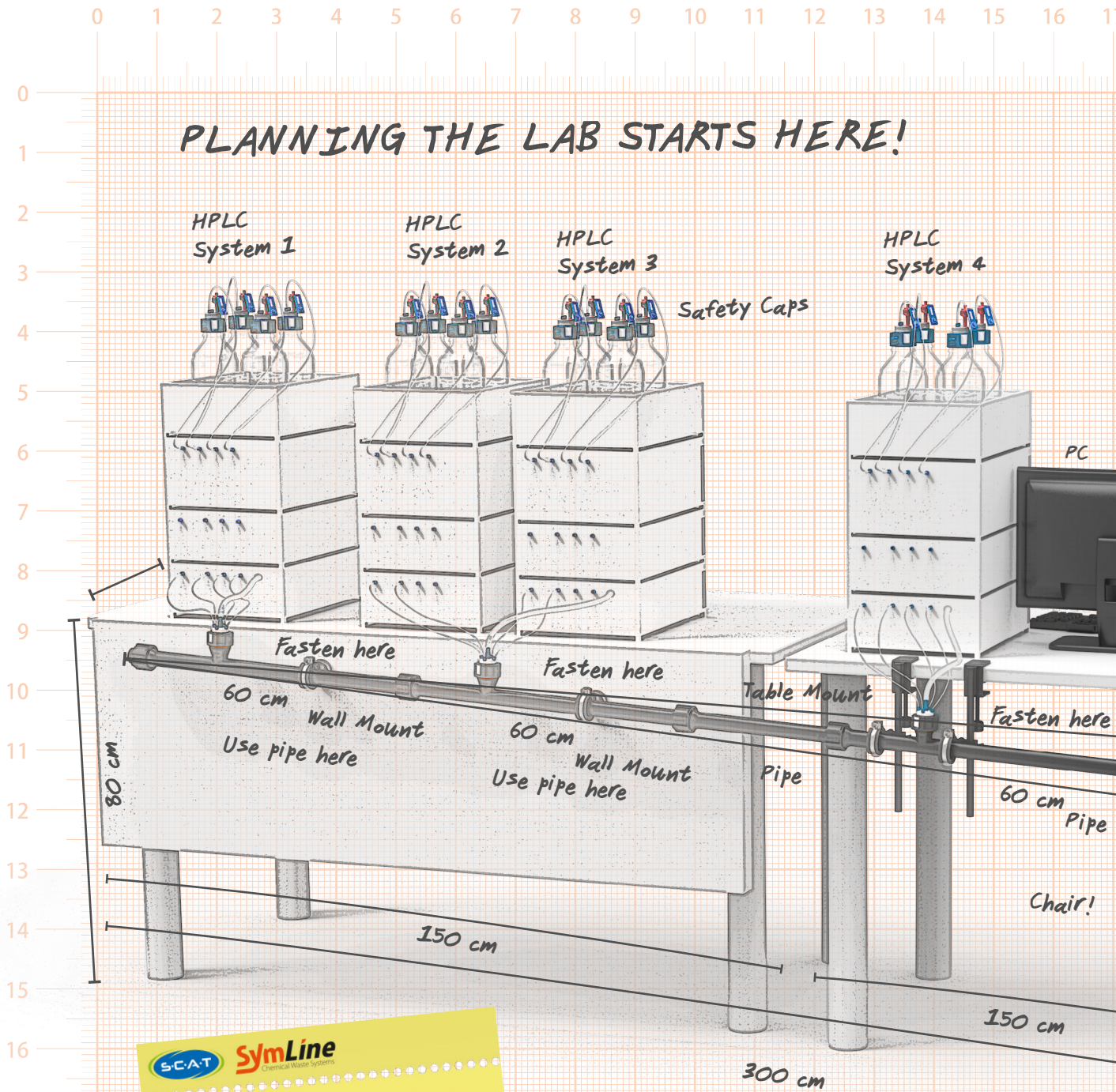
**M**

**399 202**  
**HPLC Starter Kit 3**

- For HPLC solvent supply
- 4x SafetyCap III with air ventilation valve
- Each with 3 connections for  $\varnothing$  1.6 / 2.3 / 3.2 mm OD capillaries
- Includes blind plugs for unused connections
- GL45 thread



Fig.	Part No.	Description
<b>G</b>	307 909	SCAT Safety Cap with Air Ventilation Valve and exchange indicator
<b>H</b>	317 010	SCAT Air Ventilation Valve with exchange indicator
<b>I</b>	501 113	Supply bottle for solvents, 1 litre, clear glass, round
<b>J</b>	160 529	Adapter for Justrite Containers, PE-HD electrostatic conductive, GL25 (m) to stainless steel
<b>K</b>	306 498	SCAT Safety Waste Cap
<b>L</b>	490 336	SCAT Exhaust Filter V3.0 reserve pack, with exchange indicator, Lifetime: 2x 6 months
<b>M</b>	399 202	HPLC Starter Kit 3



**SCAT SymLine**  
Chemical Waste Systems

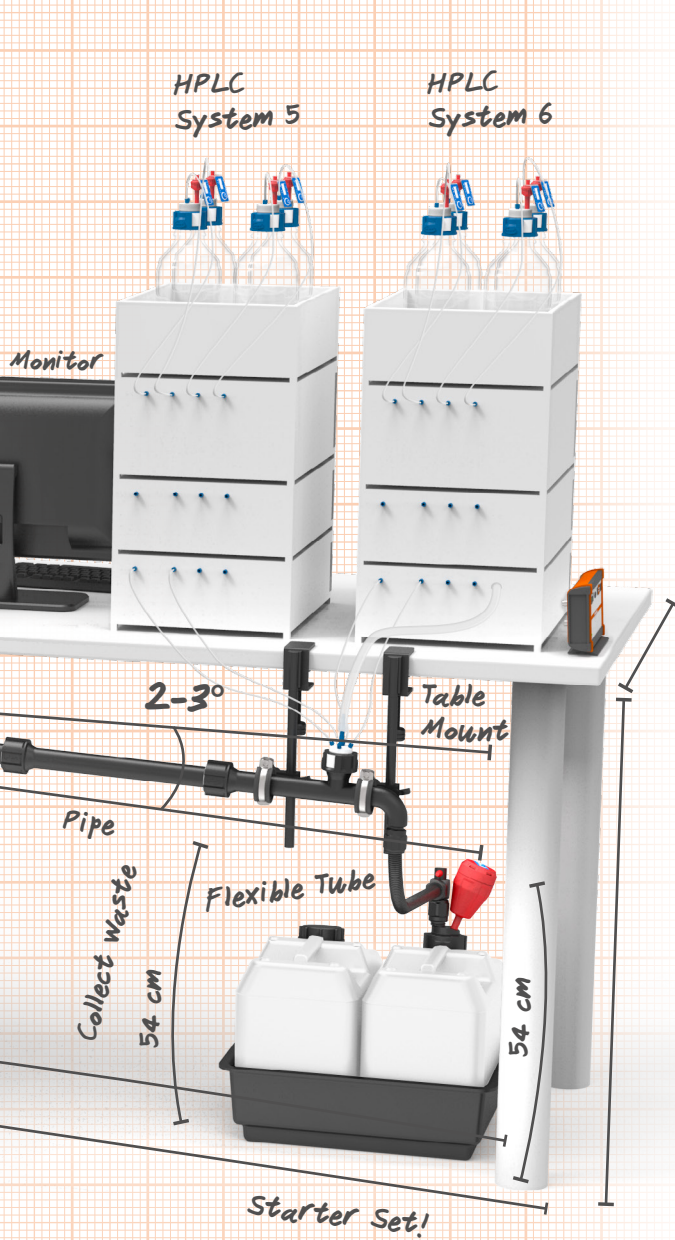
We provide BIM data!  
Building Information Modeling (BIM).  
We provide BIM data for your  
technical department. Contact our  
SymLine team for a download link.



7 18 19 20 21 22 23 24 25 26

**You are in the planning phase?  
We are ready to assist you!**

Ask your lab furniture manufacturer, lab planner or the SymLine planning team.



- Intro
- Filling Units
- Pipe and Tube System
- Disposal
- Level Control
- High Flow Solution
- FLEX
- Accessory