

# Filling Units

Filling Safely and Cleanly.

- ✓ Space-saving attachment
- ✓ High working comfort
- ✓ Safe protection against vapours



Filling Units



### The funnel that thinks for itself:

SymLine<sup>®</sup> safety funnels safely contain harmful liquids - depending on the design, either through the integrated ball valve and/or the hinged lid. The funnels are firmly screwed to the work table or rear wall of the fume hood and connected to the SymLine<sup>®</sup> system. In this way, all waste liquids are safely routed to the collection containers. Splashes, spilled dangerous goods and/or escaping vapours are a thing of the past.

#### Hinged lid with sealing ring.



#### Removable dirt sieve:

Catches magnetic stirring bars and coarse dirt.

#### Click closure:

Enables easy, quick opening and closing.

#### The ball valve:

Floats when filled and closes automatically after all liquids have drained. This leaves both hands free for safe handling of the waste liquids.

#### Electrostatic conductive:

Our funnels are made of an electrostatic conductive material and can be grounded.



#### Dimensionally stable design:

The design ensures high stability, durability and prevents deformation of the funnel.

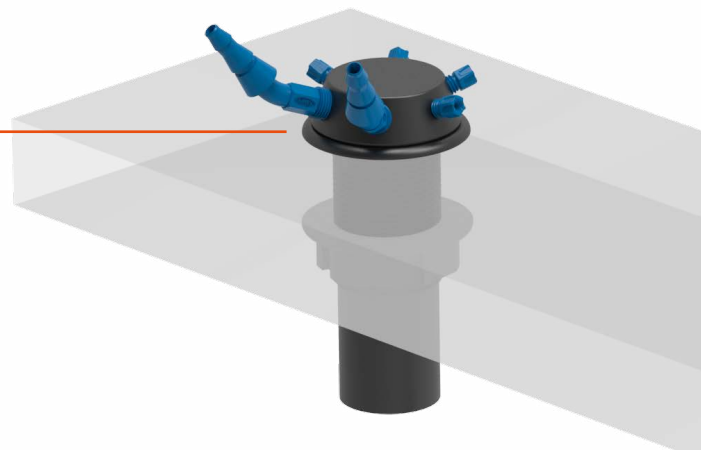


**Sink:**

The sink is connected directly to the disposal system. It is used to clean and rinse laboratory glasses and instruments.

**Table feedthrough and Safety Waste Cap with funnel:**

Direct connection to the outlet of the HPLC systems: This way your solvent and sample waste can be disposed of directly from the device. No hazardous waste containers in the work area.



**HPLC desktop mount:**

Thanks to the integrated connections for capillaries and tubes, the installation protrudes only slightly from the work surface.



Intro

Filling Units

Pipe and Tube System

Disposal

Level Control

High Flow Solution

FLEX

Accessory

## Waste disposal starts here!

The safe and clean solution for disposing of liquid waste directly in the work area.

- PE-HD electrostatic conductive
- Grounding connection (cable and clamp included)
- Hinged lid for safe closure
- Removable dirt sieve
- Can be combined with table and wall feedthroughs or directly on canisters



**A**

### 306 980 Funnel "MARCO"

- Safety funnel GL45 (f)
- L1 = 140 mm
- Grounding connection
- Hinged lid
- Removable dirt sieve
- Can be combined with table and wall mounts or directly on canisters
- Material: PE-HD-EL



**B**

### 420 045 Universal Waste Hub "JAN"

- Safety funnel GL45 (f)
- L1 = 140 mm
- Grounding connection
- Hinged lid
- Removable dirt sieve
- Material: PE-HD-EL
- 4 Connections capillary
- 3 Connections tube
- Fitting 1.6mm: 4 piece
- Fitting 2.3mm: 4 piece
- Fitting 3.2mm: 4 piece
- 4 Blind plug (for capillary)
- 3 Tube connector 5.0 -11.5 mm
- Exhaust filter M



Fig.	Part No.	Description	Material
<b>A</b>	306 980	Funnel "MARCO", V2.0, GL45, electrostatic conductive, Type 1	PE-HD-EL
	318 960	Funnel "MARCO", V2.0, S60/61, electrostatic conductive, Type 1	PE-HD-EL
<b>B</b>	420 045	Universal Waste Hub "JAN", GL45, electrostatic conductive	PE-HD-EL
	420 060	Universal Waste Hub "JAN", S60/61, electrostatic conductive	PE-HD-EL

**A**  
**317 638**  
**Funnel "ARNOLD"**

- Safety funnel GL45 (f)
- L1 = 200 mm
- Removable dirt sieve
- Can be combined with table and wall mounts or directly on canisters
- Grounding connection
- Hinged lid
- Ball valve
- Material: PE-HD-EL



**B**  
**317 633**  
**Funnel "ARNOLD"**

- Safety funnel GL 45 (f)
- L1 = 200 mm
- Ground connection
- Hinged lid
- Removable dirt sieve
- Can be combined with table and wall feedthroughs or directly on canisters
- Material: PE-HD-EL



Fig.	Part No.	Description	Material
<b>A</b>	317 638	Funnel "ARNOLD", with hinged lid and ball valve, V2.0, GL45, electrostatic conductive, Type 2	PE-HD-EL
	317 621	Funnel „ARNOLD“, with hinged lid and ball valve, V2.0, S60/61, electrostatic conductive, Type 2	PE-HD-EL
<b>B</b>	317 633	Funnel "ARNOLD" with hinged lid, V2.0, GL45, electrostatic conductive	PE-HD-EL
	317 634	Funnel "ARNOLD" with hinged lid, V2.0, S60/61, electrostatic conductive	PE-HD-EL

**A**

**118 003**

**Lab sink**

- G 1 1/2" (m)
- PP electrostatic conductive
- Inside dimensions in mm:  
400 x 400 x 250 (L x W x D)



### Lab sink

The space-saving lab sink for cleaning and rinsing laboratory glasses and instruments.



**B**

**117 989**

**Lab sink including cover**

- G 1 1/2" (m)
- PE-HD electrostatic conductive
- Grounding connection (cable and clamp included)
- Removable dirt sieve
- Cover increases the work surface
- Inside dimensions in mm:  
335 x 215 x 165 (L x W x D)

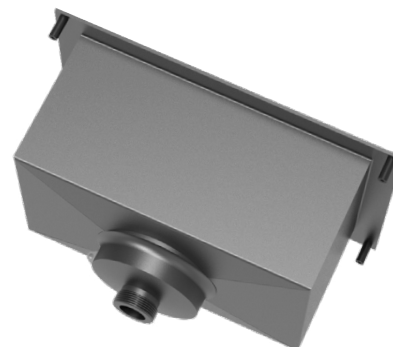
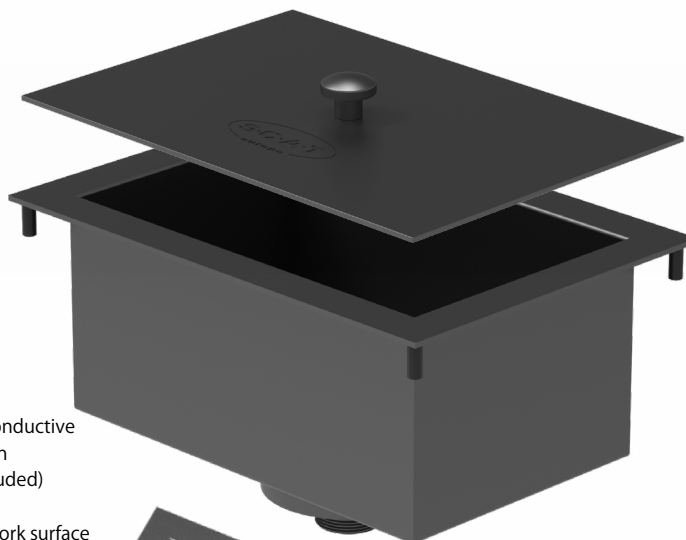


Fig.	Part No.	Description	Material
<b>A</b>	118 003	Lab sink, thread G 1 1/2" (m)	PP-EL
<b>B</b>	117 989	Lab sink including cover, thread G 1 1/2" (m)	PE-HD-EL

**A**  
**306 509**  
**4-in-1 Collector**  
**"Nicole"**  
• 4x GL45  
• L1 = GL45

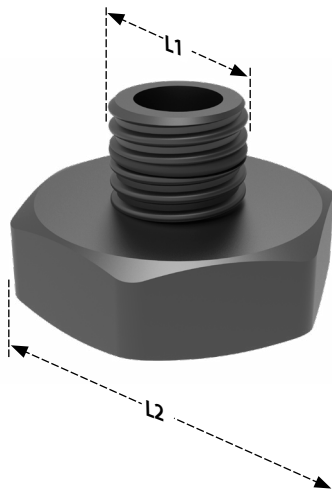


### HPLC-Multiple collector

The 4-in-1 collector named „Nicole“ allows you to place up to 4 Safety Waste Caps on a collected drain.

- PE-HD electrostatically conductive
- Can be combined with Safety Waste Caps, table and wall feedthroughs

**B**  
**106 584**  
**Thread adapter**  
• L1 = GL25 (m)  
• L2 = G 1 1/2" (w)



### Thread adapter


Use the thread adapter to connect the lab sink to the SymLine® disposal system.

- PTFE electrostatically conductive
- Can be combined with pipe system, tube system with SymLine® FlexTube and FlexTube Pro

Fig.	Part No.	Description	Material
<b>A</b>	306 509	4-in-1 collector, "Nicole", 4x GL45 (m) to 1x GL45 (f), incl. blind cap for HPLC connection	PE-HD-EL
<b>B</b>	106 584	Thread adapter for lab sink, PTFE electrostatically conductive, GL25 (m) to G 1 1/2" (f)	PTFE-EL
	106 434	Drain adapter for lab sink, G 1 1/2" (f) / 32 mm OD	PTFE-EL

**A**  
**306 489**  
**Safety Waste Collector II**

- GL45
- 2 Capillary connections
- Fitting 1.6 mm: 2 pieces
- Fitting 2.3 mm: 2 pieces
- Fitting 3.2 mm: 2 pieces

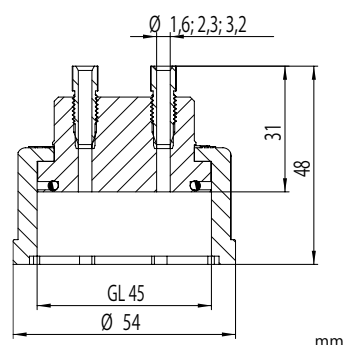


## Safety Waste Collector

SymLine® Safety Waste Collector route the waste tubes from your HPLC system directly into the disposal system. A choice of 2, 3, 4, 5 or 7 connections offers you complete freedom. Fittings for different capillary diameters are included in the scope of delivery.

**B**  
**306 491**  
**Safety Waste Collector III**

- GL45
- 3 Capillary connections
- Fitting 1.6 mm: 3 pieces
- Fitting 2.3 mm: 3 pieces
- Fitting 3.2 mm: 3 pieces

**C**  
**306 498**  
**Safety Waste Collector IV**

- GL45
- 4 Capillary connections
- 1 Tube connection
- Fitting 1.6 mm: 4 pieces
- Fitting 2.3 mm: 4 pieces
- Fitting 3.2 mm: 4 pieces
- Tube connector: 1 piece



**D**  
**117 816**  
**Tube connector**

- Straight
- 6 - 8 mm ID



Fig.	Part No.	Description	Connections	Incl. Fittings for capillary-OD			Incl. Tube conn.
				Ø 1.6 mm	Ø 2.3 mm	Ø 3.2 mm	Ø 5.0 - 11.5 mm
<b>A</b>	306 489	Safety Waste Collector II, V2.0, GL45	2	2x	2x	2x	
<b>B</b>	306 491	Safety Waste Collector III, V2.0, GL45	3	3x	3x	3x	
	306 492	Safety Waste Collector VII, V2.0, GL45	7	7x	7x	7x	
	306 493	Safety Waste Collector IV, V2.0, GL45	4	4x	4x	4x	
	306 494	Safety Waste Collector V, V2.0, GL45	5	5x	5x	5x	
	306 497	Safety Waste Collector II + 1, V2.0, GL45	3	2x	2x	2x	1x
<b>C</b>	306 498	Safety Waste Collector IV, V2.0, GL45	5	4x	4x	4x	1x
<b>D</b>	117 816	Tube connector, straight, 6 - 8 mm ID, PP, UNF 1/4" 28G, suitable for capillary connection					
	160 502	Blind plug for capillary connection UNF 1/4" 28G, PFA, colorless, PU = 5 pieces					





- A**  
**106 455**  
**Table feedthrough**
- Material: PE-HD-EL
  - 1x GL45 (m)
  - 1x GL25 (m)



### Cleverly integrated

The table feedthrough can be integrated into almost all work areas and is the perfect connection to the subsequent substructure in fume hoods.

- B**  
**106 450**  
**Table feedthrough**
- Material: PE-HD-EL
  - 1x GL45 (m)
  - 1x (OD) Ø 32 mm

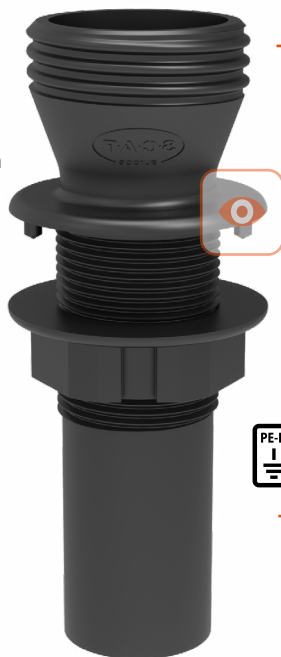
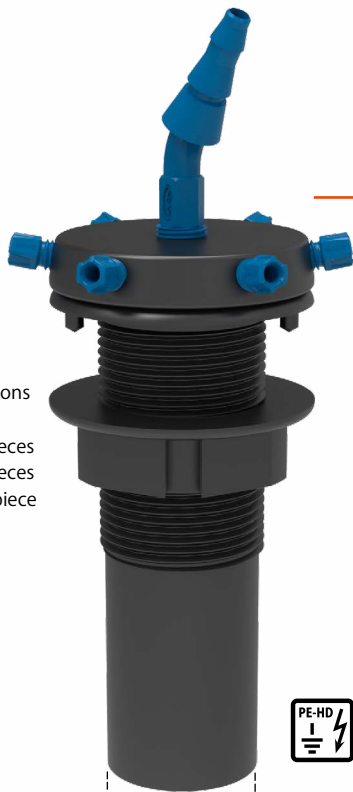


Fig.	Part No.	Description	Material
<b>A</b>	106 455	Table feedthrough GL45 (m) / GL25 (m)	PE-HD-EL
<b>B</b>	106 450	Table feedthrough GL45 (m) / Ø 32 mm OD	PE-HD-EL

**A**  
**106 412**  
**HPLC-Table**  
**feedthrough**

- L = Ø 32 mm OD
- 6 Capillary connections
- 1 Tube connection
- Fitting 2.3 mm: 6 pieces
- Fitting 3.2 mm: 6 pieces
- Tube connector: 1 piece
- Material: PE-HD-EL



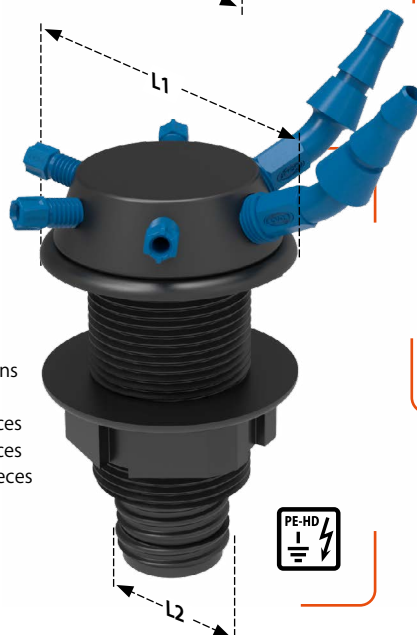
**All-in-one**

Table feedthrough and HPLC waste collector in one. Thanks to the integrated connections for capillaries and tubing, the installation protrudes only slightly from the work surface.



**B**  
**106 616**  
**HPLC-Table**  
**feedthrough**

- L1 = Ø 53mm
- L2 = GL25 (m)
- 4 Capillary connections
- 2 Tube connections
- Fitting 2.3 mm: 4 pieces
- Fitting 3.2 mm: 4 pieces
- Tube connector: 2 pieces
- Material: PE-HD-EL



**C**  
**106 669**  
**HPLC-Table**  
**feedthrough**

- L1 = Ø 53 mm
- L2 = Ø 32 mm OD
- 4 Capillary connections
- 2 Tube connections
- Fitting 2.3 mm: 4 pieces
- Fitting 3.2 mm: 4 pieces
- Tube connector: 2 pieces
- Material: PE-HD-EL
- Can be combined with pipe system

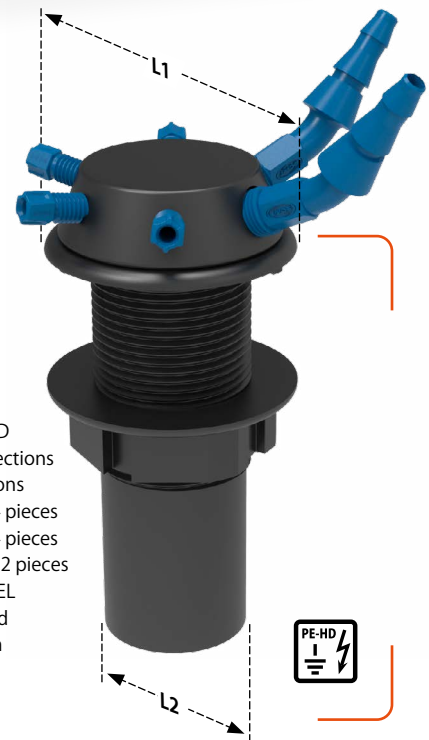


Fig.	Part No.	Description	Material
<b>A</b>	106 412	HPLC-Table feedthrough; connection 32 mm OD pipe with 6x UNF1/4" 28G and 1x NPT1/8" connection; including 6x fittings for capillary diameter (outside) Ø 2.3 mm, Ø 3.2 mm; including 1x tube connector curved Ø 5.0 - 11.5 mm	PE-HD-EL
<b>B</b>	106 616	HPLC-Table feedthrough; GL25 with 4x UNF1/4" 28G and 2x NPT1/8" connection on the side; including 4x fittings for capillary diameter (outer) Ø 2.3 mm, Ø 3.2 mm; including 2x tube connector curved Ø 5.0 - 11.5 mm	PE-HD-EL
<b>C</b>	106 669	HPLC-Table feedthrough; connection 32 mm OD tube with 4x UNF1/4" 28G and 2x NPT1/8" connection on the side; including 4x fittings for capillary diameter (outer) Ø 2.3 mm, Ø 3.2 mm; including 2x tube connector curved Ø 5.0 - 11.5 mm	PE-HD-EL



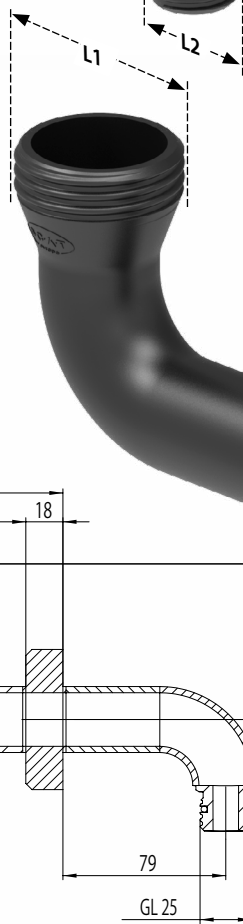
**A**  
**106 612**  
**Wall feedthrough**

- L1 = GL45 (m)
- L2 = GL25 (m)
- Material: PE-HD-EL



### More free work space

With the rear wall mount, you make optimal use of your work area and there is more space for samples and structures, disposal can take place directly in the fume hood.



**B**  
**106 601**  
**XL Wall feedthrough**

- L1 = GL 45 (m)
- L2 = GL 25 (m)
- Material: PE-HD-EL

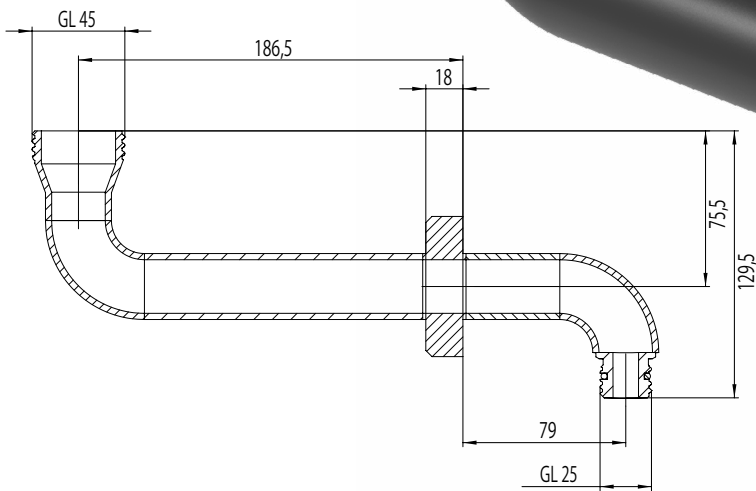


Fig.	Part No.	Description	Material
<b>A</b>	106 612	Wall feedthrough GL45 (m) / GL25 (m)	PE-HD-EL
<b>B</b>	106 601	Wall feedthrough long, GL45 (m) , GL25 (m), for funnel "ARNOLD" with hinged lid, V2.0, GL45 (317 633)	PE-HD-EL