

setra^{lite}TM

Visual Pressure Monitor

Features

- Simple single-room pressure indication for all pressurized spaces
- Sleek and attractive single wall plate
- Multiple installation options
- Simple to install in minutes
- Visual alarm via red/green light ring
- Configurable audible alarm
- Offset light pipe that can be seen at an angle or down a hallway
- Digital display can be always-on or momentary
- Is easy, using just 3 buttons
- Analog configuration output provides pressure reading to BMS system
- Works with Setra FLEX to serve rooms with multiple doors
- Available in White or Black

Accurate measuring & display

Setra Lite provides a simple, cost-effective, and accurate way to measure and display room differential pressure for spaces that currently require manual verification. For local staff managing an area, Setra Lite has a light ring that is green or red and an optional audible alarm providing clear indication of room conditions. For facility using Setra Lite means the frequency of preventative maintenance walk-by inspections can be reduced because Setra Lite is monitoring the space.

Setra Lite features

Setra Lite has many features found only in larger, more complex room pressure monitors. Including a bright light ring that can be seen at an angle or down a hallway, a digital display of the pressure value that is always-on or momentary, an alarm delay for door entry, and POS or NEG room mode. The Setra Lite sensor has Setra's accuracy and reliability you know you can trust.

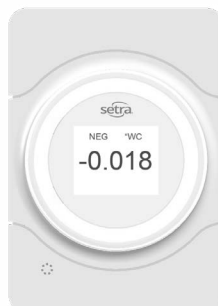
Simple installation

Setra Lite is about the size of a standard light switch, and just as a simple to install. It fits in a single-gang US electrical box, international 86-box or international round back-box, and is powered by 24VAC or 24VDC. The reference side pressure pickup is integral with the Lite faceplate. An analog output provides the building management system with the pressure signal for any additional trending or alarming needed.

The Setra Lite also integrates seamlessly with the Setra FLEX environmental monitor. Mount Setra Lite at additional doors that enter the space, and use an on-screen badge to display its value.

Applications

- Sterile processing
- Sterile storage
- USP 800 compliance
- Endoscopy
- Bronchoscopy
- Laundry
- Protective patient rooms
- Isolation rooms (All)
- Emergency ICU tents
- Recently Reconfigured spaces
- Critical & Non-critical ASHRAE-170 spaces
- Replacement of ball/tube through the wall pressure indicators



Pressure indication



Simple green status



Red indicates alarm



Specifications

Physical description

Dimensions	See Table on next page
Mounting	See Table on next page
Position	See Table on next page
Case	Fire-retardant plastic UL94 V-0
Weight	See Table on next page
Display	Color: RGB, 65K Resolution: 128x160, backlight: LED
Alarm indication	Visual: Red illuminated LED light ring, 11mm standoff from faceplate, viewable at 90° angle from side
Audible	2 secs on 1 sec off, audible from up to 150ft (30m)

Performance

Accuracy ¹	±0.5% FS
Non-linearity (BFSL)	±0.44% FS
Hysteresis	±0.10% FS
Non-repeatability	0.05% FS
Span Tolerance	±1% Rdg
Thermal effects ²	
Zero shift %FS/°F (°C)	±0.033 (±0.06)
Span shift %FS/°F (°C)	±0.033 (±0.06)
Long-term stability	±0.5% FS per year
Overpressure	±1 PSI (15" WC for <0.10" WC FS)
Pressure media	Air or non-conductive, non-explosive gases
Pressure fittings	3/16" barbed fitting

Environmental data

Operating temp. °F (°C)	32 to 120 (0 to 50)
Storage temp. °F (°C)	-20 to 160 (-30 to 70)
Operating humidity	5 to 95% RH (non-condensing)
Ingress protection (IP) rating	IP54

¹ RSS of non-linearity, non-repeatability, and hysteresis

² Units calibrated at nominal 70°F maximum thermal error computed from this datum

³ Zero tolerance negated by zero push button

Display

Light ring	Green, red, yellow, or off
Numeric value	4 digits

Features

Re-zero	Single press-and-hold to re-zero sensor
Alarm thresholds	Set numeric threshold in "WC or Pa
Door delay	Set door alarm delay for 0-999 seconds
POS or NEG indicator	Set display to show POS, NEG, or off
Display on/off	Set display to always-on, or momentary press to show pressure value

Significant digits	1,2, or 3 after decimal point, POS or NEG
--------------------	---

Light ring	Set LED ring to:	1). steady green, steady red if alarm
		2). Green OFF, and steady red if alarm
		3). always off

Units	Set units on the display to show "WC or Pa
-------	--

Electrical

Power	24 VAC (+/-10%) 24VDC (18-32) 50-60 HZ
-------	--

Power draw	2W max, 1W typical
------------	--------------------

Analog output ³	Set for 0-5V, 0-10V, or 4-20mA signal
----------------------------	---------------------------------------

Wire	Stranded unshielded twisted-pair, 18-24 AWG
------	---

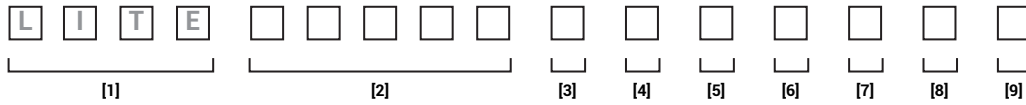
Terminals	Fixed, non-removable
-----------	----------------------

Regulatory compliance

CE, RoHS

Ordering information

Example part number: LITE-R25WB-D-W-L-V-O-A-N



[1]	[2]	[3]	[4]	[5]	[6]	[7]	[8]	[9]
Model	Transducer Range	Accuracy	Color	Orientation	Alarm	Mounting Location	Communication	Accessories
LITE Setra Lite	R25WB ±0.25" WC OR5WB ±0.5" WC 001WB ±1" WC 003WD 0-3" WC 050LB ±50 Pa 100LB ±100 Pa 250LB ±250 Pa 750LD 0-750 Pa	D ±0.5% FS	W White B Black	P Portrait L Landscape	V Visual only A Audio and visual	O Outside room I Inside room	A Analog	N No accessories M¹ Quick-mount kit D Dual alert

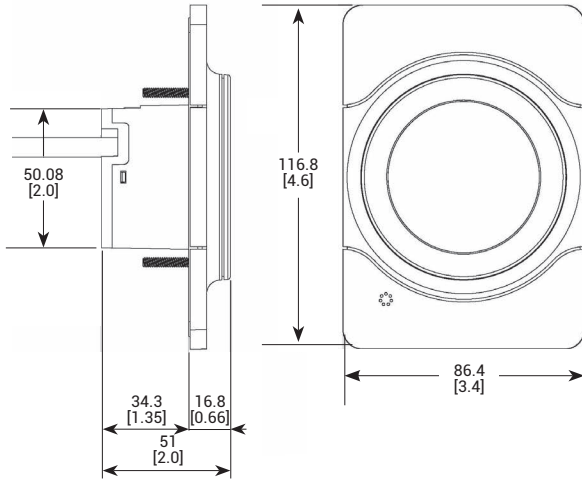
¹Quick-Mount kit only available with portrait orientation

Setra Lite Configurations

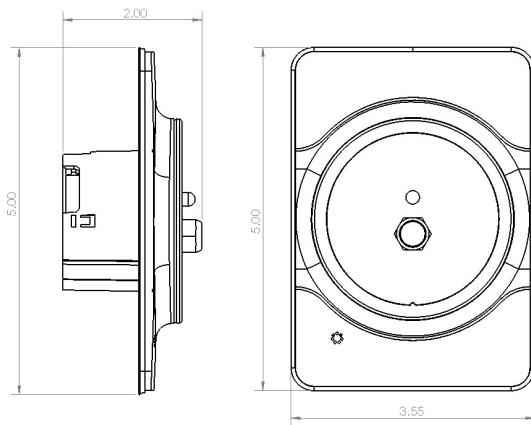
	Monitor Only	Dual Alert	Quick Mount Kit
Use Case	Simple permanent monitoring of airflow	Simple permanent monitoring of air flow where status is desired in both spaces	Simple temporary monitoring of airflow
Set Up	<ul style="list-style-type: none"> Flush mount install with 2" holesaw or in std single gange box Install 24 VAC/VDC wiring 	<ul style="list-style-type: none"> Flush mount install with 2" holesaw or in (2) std single gang boxes OR Flush mount install where previous thru wall monitor Apply 24VAC/VDC wiring 	<ul style="list-style-type: none"> Quick mount on a simple hook or screw Apply 24VAC/VDC via wiring or portable power supply
Kit Includes	Setra Lite Base Unit - Specified by customer <ul style="list-style-type: none"> Pressure Pickup Port (Setra RPS) Mounting Hardware Elbow Connectors 250ohm resistor (If wiring inputs for 4-20mA current loops) 	Setra Lite Base Unit - Specified by customer <ul style="list-style-type: none"> LED alarm indicator 18" pigtail prewired Pressure Pickup Port (Matching Dual Alert Variant) 18" of rubber connecting tubing Mounting Hardware Elbow Connectors 250ohm resistor (If wiring inputs for 4-20mA current loops) 	Setra Lite Base Unit - Specified by customer <ul style="list-style-type: none"> Pressure Pickup Port (Setra RPS) Battery Pack AC Adapter with 6-foot cord Mounting bracket
Mounting	Single-gang US electrical box, China 86 box, European back box, or equivalent interior dimensions Direct to Wall	Single-gang US electrical box, China 86 box, European back box, or equivalent interior dimensions Direct to wall	Temporary mounting plate with single clearance hole
Mounting Position / Orientation	Can be mounted vertical or horizontal. Re-zero after installation	Can be mounted vertical or horizontal. Re-zero after installation	Mount vertically
Dimensions	3.42" W x 4.88"H x 1.83"D (67 mm x 124 mm x 46.5 mm)	3.42" W x 4.88"H x 1.83"D (67 mm x 124 mm x 46.5 mm)	4"W x 7.5"L x 2.5" Deep (102mm x 190mm x 63mm)
Weight	8 oz (0.5 lbs)	8 oz (0.5 lbs)	11 oz (0.7 lbs)

Dimensions

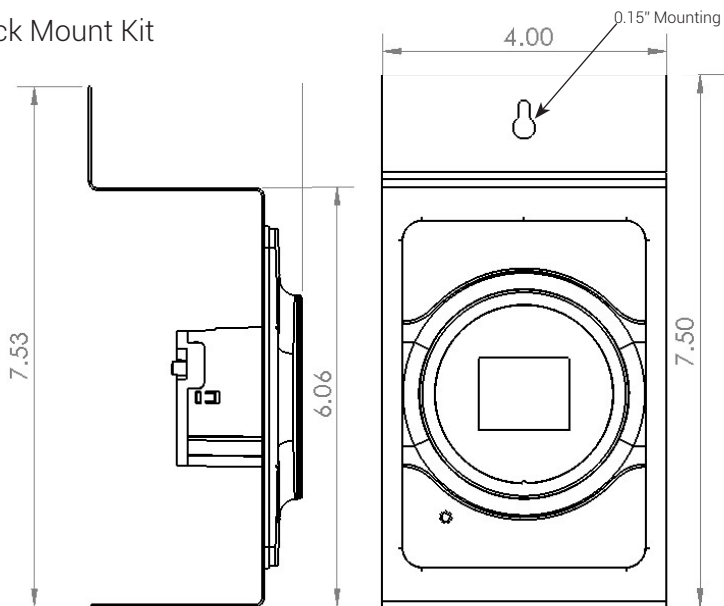
Setra Lite Base Unit



Dual Alert - Room Pressure pick up port



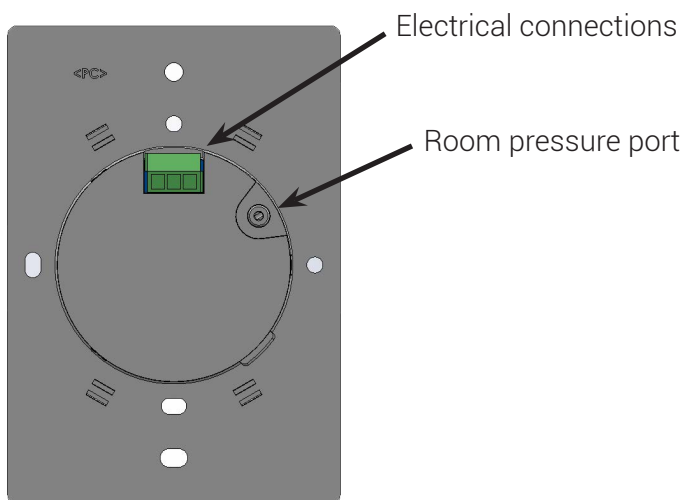
Quick Mount Kit



* For details of the standard room pressure pickup port see Setra RPS documentation

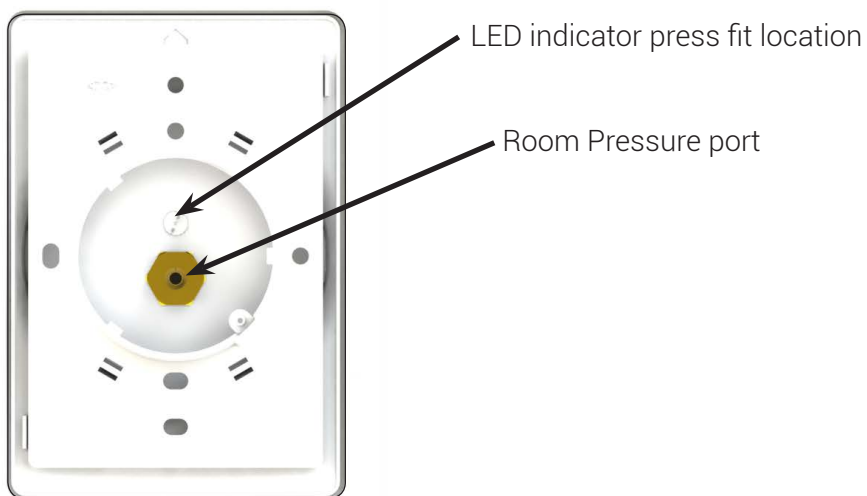
Wiring tubing connections

Setra Lite base unit



Rear view of wiring/
pressure port

Dual alert room pressure pickup port



Kit Contents – What's in the Box

Setra Lite base unit

- Setra Lite Base Unit - As specified by customer
- Setra RPS - Single Gang Filtered Pressure



Dual Alert

- Setra Lite Base Unit - As specified by customer with 18" LED alarm indicator 18" pigtail pre-wired
- Matching Dual Alert room pressure pick up port
- 18" of rubber connecting tubing



Quick Mount Kits

- Setra Lite Base Unit – As specified by customer
- Battery Pack
- AC Adapter with 6-foot cord
- Setra RPS - Single Gang Filtered Pressure
- Pressure Port
- Mounting bracket

