



Setra Model SRH Installation Instructions

Relative Humidity Duct Mount Sensor Series
with Active or Passive Temperature Sensing

Setra Systems, Inc.
159 Swanson Road, Boxborough, MA 01719
800.257.3872 • www.setra.com



1.0 General information

Every SRH humidity sensor product is tested and calibrated before shipment. This product line expands the solution opportunities for the HVAC/building automation market and other relative humidity monitoring applications. All models utilize a field-replaceable sensor module, NIST traceability, accuracies of $\pm 2\%$, $\pm 3\%$, $\pm 5\%$, active or passive temperature sensing, and a durable capacitive sensor capable of full-scale 0 to 99% RH measurement.

2.0 Mechanical installation

2.1 Environment

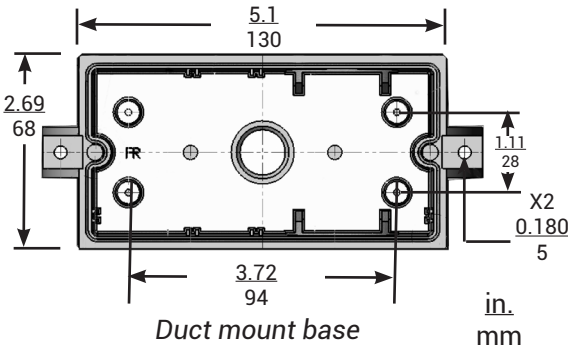
The operating temperature limits of the SRH model are as follows:

Operating Temperature Range -40°F to 140°F (-40 to 60°C)

Storage Temperature -40°F to 158°F (-40 to 70°C)

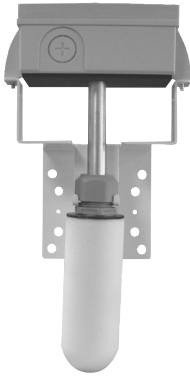
2.2 Duct mount

For proper operation, it is necessary to locate the transmitter in the center of a section of duct that receives adequate air flow. Conversely, it must be free of fans, corners, heating/cooling coils, or any other equipment/ environmentals that could adversely affect relative humidity measurement. Insert sensing probe through hole ($5/8"$ dia. minimum) and attach full assembly via the two mounting holes on each side.

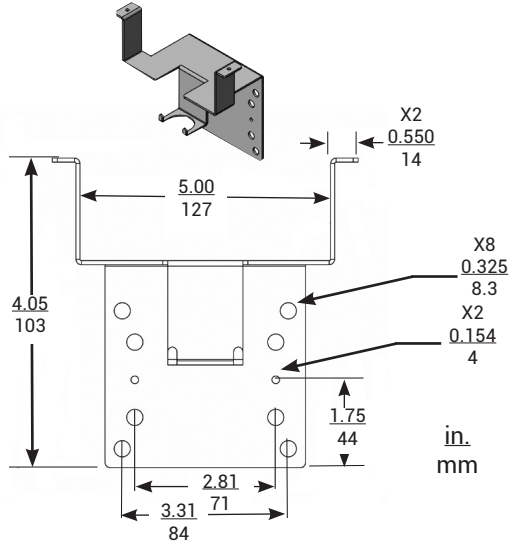


2.3 Outside air mount

The outside air configuration is supplied with a mounting bracket and two 10-16 x 1/2' hex head screws. Locate a position on the building that is clear of exhaust ducts, high exposure to the sun, direct rain, or other outdoor factors that could adversely affect the operation of the unit. Ideally, a sheltered area (under an eave) on the north side of the building is best to protect from the above effects.



Model SRH
Outside air unit
shown w/porous weather shield



Outside air mounting plate

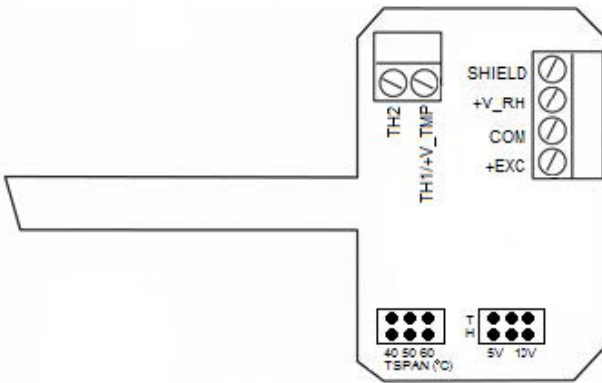
3.0 Electrical installation

3.1 Wiring

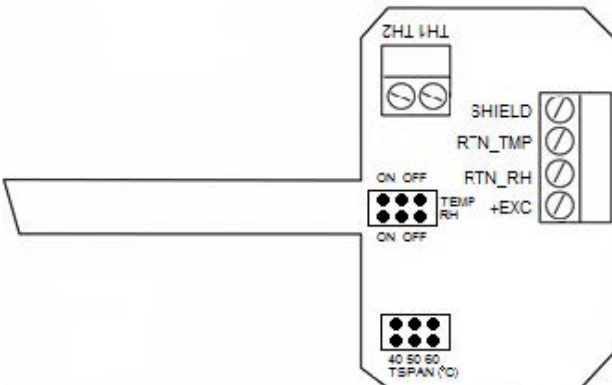
Match your transmitter with the corresponding diagrams and set the jumpers and wire accordingly. Ensure that all of the installation and wiring is in compliance with all national and local codes. Use 18-22 AWG shielded, twisted pair, copper conductors.

Caution: Do not bundle transmitter wires with AC power wires. Shield must be connected to earth ground for CE compliance.

Duct and Outside Mount (Voltage output)

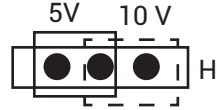
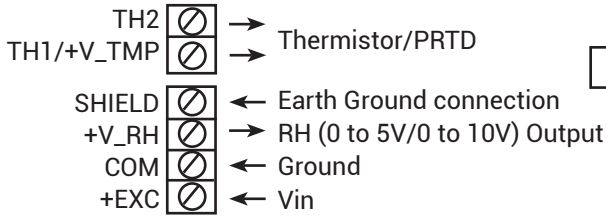


Duct and outside mount (current Output)



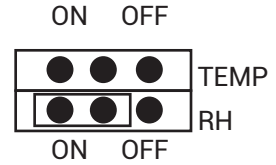
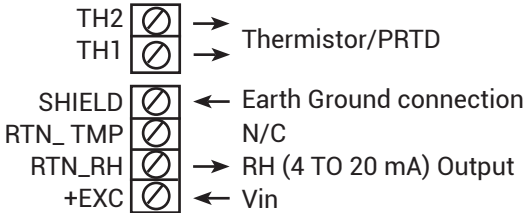
Wiring 0-5 V/0-10 V Output Units (3-wire / T0, T1 & T2)

Selectable outputs

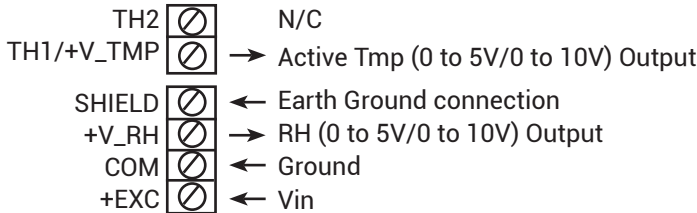


Note: Unit shipped in 0 to 5V Mode. Move jumper to right for 0 to 10V Operation

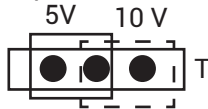
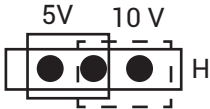
Wiring 4 to 20mA Output Units (2-wire / T0, T1 & T2)



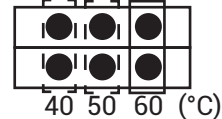
Wiring 4 to 20mA Output Units (2-wire / T0, T1 & T2)



Selectable Outputs



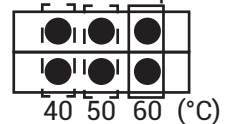
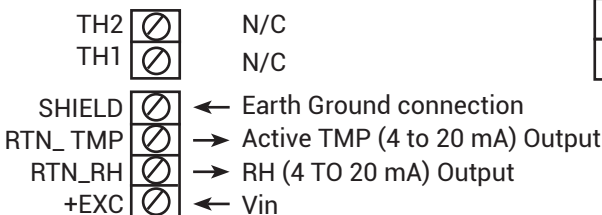
Selectable Tspan



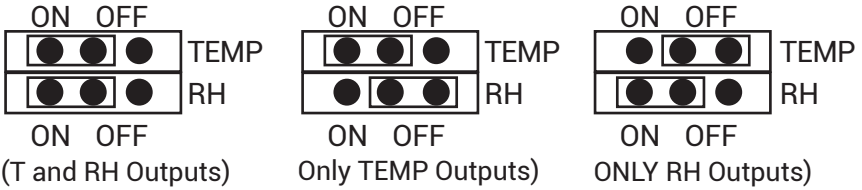
Note: Unit shipped in 0 to 5V mode with Tspan set to 60°C. Move Tspan jumper to select optional ranges.

Wiring 4 to 20mA Output Units (2-wire / T3, T5)

Selectable Tspan



CAUTION: Jumper Positions for Current Output



- Note:** 1. Unit shipped with Tspan set to 60°C. Move Tspan jumper to select optional ranges.
2. Default jumper position for current output: T and RH Outputs

Long term exposure to high humidity may temporarily offset the RH signal (e.g. +3% RH after 60H at >90% RH)

4.0 Calibration

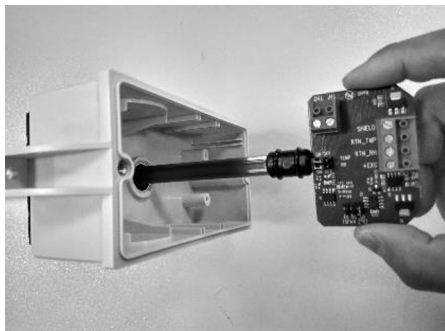
All relative humidity products are fully tested and calibrated prior to shipment in accordance with the National Institute of Standards and Technology (NIST), the highest quality standard available.

Once installed in the field, no calibration of the units is required. Instead, this product suite features field-replaceable sensor modules that allow the end user to replace the sensors on-site. This eliminates time consuming and costly factory calibration, while reducing downtime during service intervals. Additionally, the duct mount probe is easily accessed by taking off the front cover, removing the sensor board assembly, and replacing the sensor module on the tip of the sensor board. This further contributes to a more user-friendly, lower cost product line that is focused on customer needs and ease of use.

4.1 Remove/Install the sensor tip

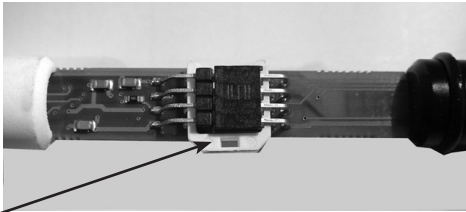
Note: Power Must be removed from the main PCBA prior to replacing the sensor tip module. Failure to comply could possibly damage the sensor tip module

Outdoor and duct mount



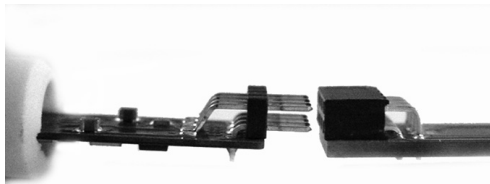


Replaceable sensor with sintered filter



White retaining clip

Top view



Side view
(PCB to PCB)

Remove the white retaining clip (shown above and on page 6). Remove the sensor tip module by holding the sides of the sintered filter along the pcb edges. Then gently pull the sensor tip module out of the mating connector. Gently push the replacement sensor tip module into the mating connector (as shown) and replace the retaining clip to secure the connection.

4.2 Ordering information - replacement sensor assembly*

Example: Order Part No. SRH3-2P-T0 = Sensor Assembly with 2% accuracy, RH only.

S	R	H	G
---	---	---	---

Model
SRHG- = SRH

--	--

Accuracy
2P = 2%
3P = 3%
5P = 5%**

--	--

Temperature outputs
T0 = None (RH only)
T1 = 10KΩ NTC (passive)
T2 = 1000Ω RTD (passive)
T3 = -50°C to 60°C (active)
T5 = -10°C to 60°C (active)
T6 = 10K Ω NTC (passive)

*SRH1 units originally ordered with either a T3 or T5 temperature option MUST be replaced with the same T(x) version.

**Not available with T3 or T5 option.

5.0 Specifications

RH performance data

Sensing element	Capacitive polymer
Humidity operating range	0 to 99% RH (non-condensing)
Accuracy at 68°F (20°C)	2%, 3%, 5%
Hysteresis	<1.5%
Repeatability	<0.5%
Long term stability	<1%/year @ 68°F (20°C), 50% RH

Electrical data

Signal outputs	
Current (2-wire ckt.)	4 to 20 mA
Field selectable voltage (3-wire ckt.)	0 to 5 VDC, 0 to 10 VDC
Excitation	
0 to 10 VDC	13.5 to 30 VDC/24 VAC ±20%
0 to 5 VDC	
4 to 20 mA	12 to 30 VDC
Maximum load (current only)	$\Omega = (\text{Supply} - 10) / 0.02$
Electrical termination	Pluggable terminal block (5mm Pitch)
Wiring protection	Reverse excitation
CE compliance	Yes

Temperature sensing options (passive)

T1 Thermistor output	NTC 10K Ω @ 77°F/25°C (direct connect) Type II
T2 RTD output	1000 Ω @ 32°F/0°C (direct connect) 385 Platinum curve
T6 Thermistor output	NTC 10K Ω @ 77°F/25°C (direct connect) Type III

Temperature sensing options (active)

Signal output options (includes humidity output):	
Current	4 to 20 mA
Field selectable voltage	0 to 5 VDC, 0 to 10 VDC
Available ranges:	Accuracy:
T3 (-50°C to 60°C)	±0.6°C (20°C @ 50%)
T5 (-10°C to 60°C)	±0.4°C (20°C @ 50%)

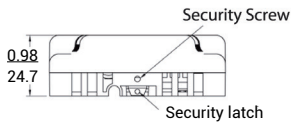
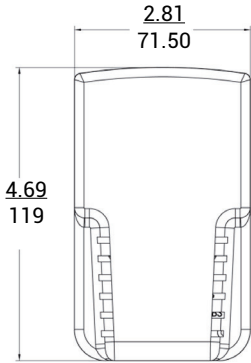
Environmental data

Operating temperature °F (°C)	-40 to 140 (-40 to 60)
Storage temperature °F (°C)	-40 to 158 (-40 to 70)
Moisture resistance	IP65, NEMA-4 (duct & outside air)
Solar	UV Resistance (outside air)
Flammability rating	94-V0
Compliance	RoHS and CE compliant

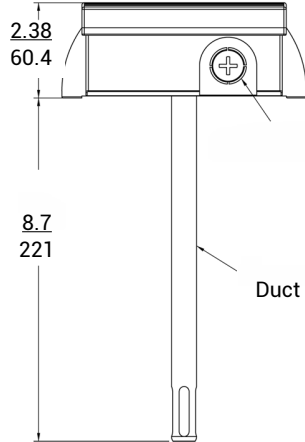
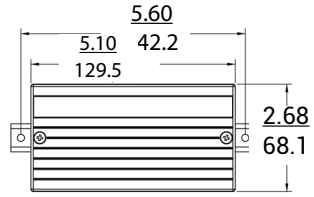
Physical description

Enclosure	
Wall mount	ABS 94-V0
Duct & outside air	Poly carbonate 94-V0
Probe (duct & outside air)	Aluminum
Weather shield (outside air)	Porous polyethylene

6.0 Dimensional drawings

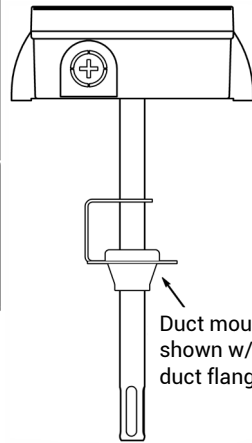
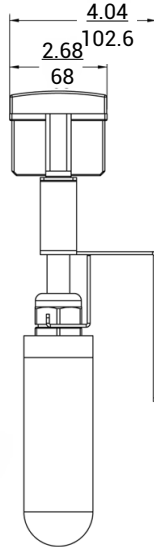
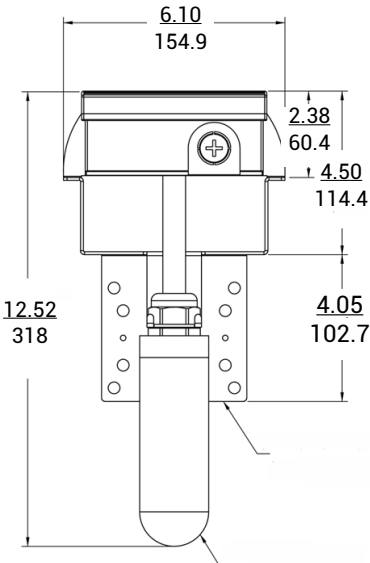


Wall mount



Duct probe (5/8" dia.)

Duct mount

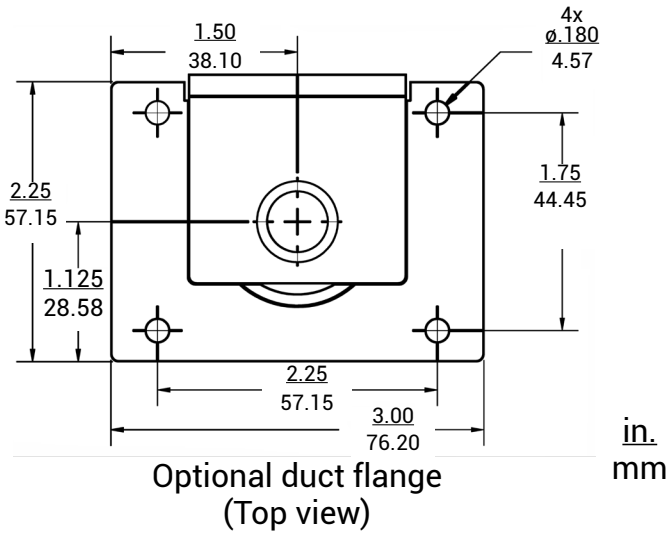
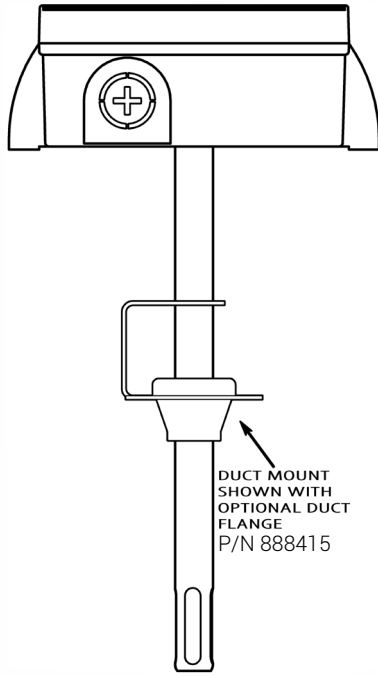


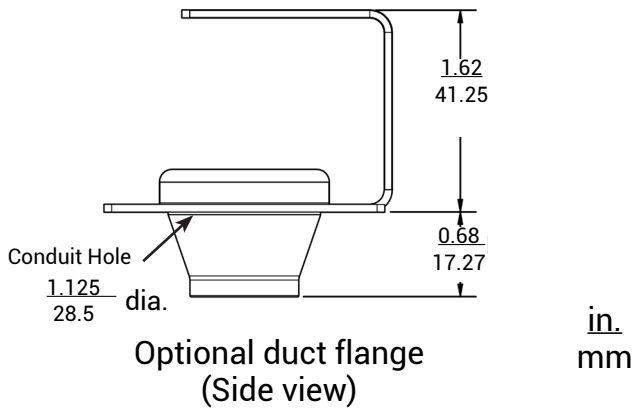
Duct mount shown w/optional duct flange

in.
mm

Outside air

7.0 Duct mount installation





Mounting the transmitter using the optional duct flange.

1. Drill a 1.125" (28.5 mm) diameter hole into the duct
2. Insert the tapered bushing side into the conduit hole.
3. Press in and all around the outer exposed edge of bushing so the bushing groove captures the inside edge of the conduit.
4. Secure flange using #10-16 x 1/2" self-drilling screws (recommended)
5. Insert duct probe to desired length plus 1/2". Pull back unit approximately 1/2" to create seal.

Note: To remove, simply twist duct housing side to side while pulling outward.

8.0 Returning products for repair

Setra Systems cannot accept a Model 760 for repair unless the Form 760ERN is completed. Contact Setra Systems for an ERN number or the form 760ERN. Form 760ERN is included in this guide on page 15.

Please contact a Setra application engineer (800-257-3872, 978-263-1400) before returning unit for repair to review information relative to your application. Many times only minor field adjustments may be necessary. When returning a product to Setra, the material should be carefully packaged and shipped prepaid to:

Setra Systems, Inc.
159 Swanson Road
Boxborough, MA 01719-1304
Attn: Repair Department

To ensure prompt handling, please supply the following information and include it inside the package or returned material:

- Name and phone number of person to contact.
- Shipping and billing instructions.
- Full description of the malfunctions.
- Identify any hazardous material used with the product.

NOTES:

Please remove any pressure fittings and plumbing that you have installed and enclose any required mating electrical connectors and wiring diagrams.

Allow approximately 3 weeks after receipt at Setra for the repair and return of the unit. Non-warranty repairs will not be made without customer approval and a purchase order to cover repair charges.

Calibration Services

Setra maintains a complete calibrations facility that is traceable to the National Institute of Standards and Technology (NIST). If you would like to recalibrate or recertify your Setra pressure transducers or transmitters, please call our Repair Department at 800-257-3872 (978-263-1400) for scheduling.

9.0 Limited warranty & limitation of repair

SETRA warrants its products to be free from defects in materials and workmanship, subject to the following terms and conditions: Without charge, SETRA will repair or replace products found to be defective in materials or workmanship within the warranty period; provided that:

- a) the product has not been subjected to abuse, neglect, accident, incorrect wiring not our own, improper installation or servicing, or use in violation of instructions furnished by SETRA;
- b) the product has not been repaired or altered by anyone except SETRA or its authorized service agencies;
- c) the serial number or date code has not been removed, defaced, or otherwise changed; and
- d) examination discloses, in the judgment of SETRA, the defect in materials or workmanship developed under normal installation, use and service;
- e) SETRA is notified in advance of and the product is returned to SETRA transportation prepaid.

Unless otherwise specified in a manual or warranty card, or agreed to in a writing signed by a SETRA officer, SETRA pressure and acceleration products shall be warranted for one year from date of sale.

The foregoing warranty is in lieu of all warranties, express, implied or statutory, including but not limited to, any implied warranty of merchantability for a particular purpose.

SETRA's liability for breach of warranty is limited to repair or replacement, or if the goods cannot be repaired or replaced, to a refund of the purchase price.

SETRA's liability for all other breaches is limited to a refund of the purchase price. In no instance shall SETRA be liable for incidental or consequential damages arising from a breach of warranty, or from the use or installation of its products.

No representative or person is authorized to give any warranty other than as set out above or to assume for SETRA any other liability in connection with the sale of its products.



Setra Systems, Inc.
159 Swanson Road, Boxborough, MA 01719
800.257.3872 • www.setra.com