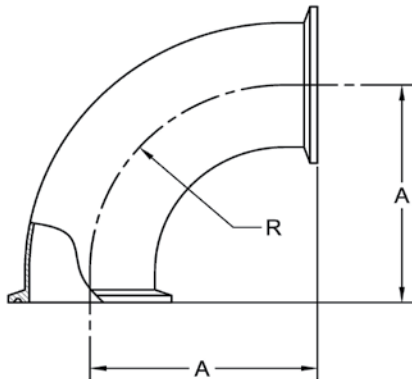
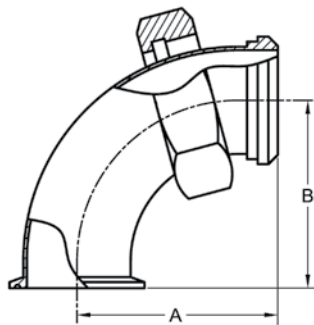


2CMP - 90 DEGREE ELBOW, CLAMP ENDS



PART NUMBER	SIZE	A	R
2CMP-.50	1/2	1.250	.750
2CMP-.50L	1/2	1.625	1.125
2CMP-.75	3/4	1.625	1.125
2CMP-1	1	2.000	1.500
2CMP-1.5	1-1/2	2.750	2.250
2CMP-2	2	3.500	3.000
2CMP-2.5	2-1/2	4.250	3.750
2CMP-3	3	5.000	4.500
2CMP-4	4	6.625	6.000
2CMP-6	6	9.750	9.000
2CMP-8	8	12.875	12.000

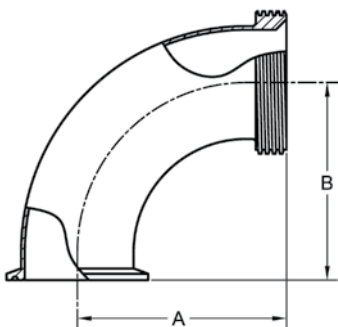
2FMP-14 - 90 DEGREE ELBOW, CLAMP X PLAIN BEVEL SEAT



NOTE: HEX NUT INCLUDED

PART NUMBER	SIZE	A	B
2FMP-14-1	1	2.188	2.000
2FMP-14-1.5	1-1/2	2.969	2.750
2FMP-14-2	2	3.723	3.500
2FMP-14-2.5	2-1/2	4.594	4.250
2FMP-14-3	3	5.406	5.000
2FMP-14-4	4	7.000	6.625

2FMP-15 - 90 DEGREE ELBOW, CLAMP X THREADED BEVEL SEAT



PART NUMBER	SIZE	A	B
2FMP-15-1	1	2.188	2.000
2FMP-15-1.5	1-1/2	2.969	2.750
2FMP-15-2	2	3.750	3.500
2FMP-15-2.5	2-1/2	4.594	4.250
2FMP-15-3	3	5.438	5.000
2FMP-15-4	4	7.219	6.625