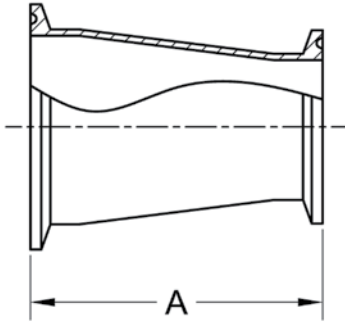


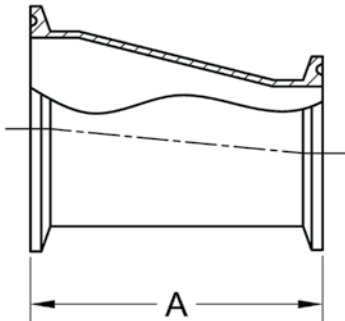
31-14MP - CONCENTRIC REDUCER, CLAMP ENDS



PART NUMBER	SIZE	A
31-14MP-.75X.50	3/4 X 1/2	2.000
31-14MP-1X.50	1 X 1/2	3.000
31-14MP-1X.75	1 X 3/4	2.000
31-14MP-1.5X.50	1-1/2 X 1/2	5.000
31-14MP-1.5X.75	1-1/2 X 3/4	4.000
31-14MP-1.5X1	1-1/2 X 1	3.000
31-14MP-2X1	2 X 1	5.000
31-14MP-2X1.5	2 X 1-1/2	3.000
31-14MP-2.5X1.5	2-1/2 X 1-1/2	5.000
31-14MP-2.5X2	2-1/2 X 2	3.000
31-14MP-3X1.5	3 X 1-1/2	7.000
31-14MP-3X2	3 X 2	5.000
31-14MP-3X2.5	3 X 2-1/2	3.000
31-14MP-4X2	4 X 2	9.125
31-14MP-4X2.5	4 X 2-1/2	7.125
31-14MP-4X3	4 X 3	5.125
31-14MP-6X3	6 X 3	6.750
31-14MP-6X4	6 X 4	6.875

OTHER SIZES AVAILABLE UPON REQUEST

32-14MP - ECCENTRIC REDUCER, CLAMP ENDS



PART NUMBER	SIZE	A
32-14MP-.75X.50	3/4 X 1/2	2.000
32-14MP-1X.50	1 X 1/2	2.500
32-14MP-1X.75	1 X 3/4	2.000
32-14MP-1.5X1	1-1/2 X 1	3.000
32-14MP-2X1	2 X 1	5.000
32-14MP-2X1.5	2 X 1-1/2	3.000
32-14MP-2.5X1.5	2-1/2 X 1-1/2	5.000
32-14MP-2.5X2	2-1/2 X 2	3.000
32-14MP-3X1.5	3 X 1-1/2	7.000
32-14MP-3X2	3 X 2	5.000
32-14MP-3X2.5	3 X 2-1/2	3.000
32-14MP-4X2	4 X 2	9.125
32-14MP-4X2.5	4 X 2-1/2	7.125
32-14MP-4X3	4 X 3	5.125
32-14MP-6X3	6 X 3	6.750
32-14MP-6X4	6 X 4	6.875

OTHER SIZES AVAILABLE UPON REQUEST