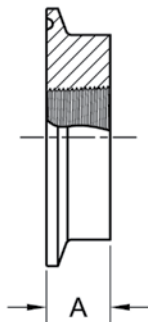


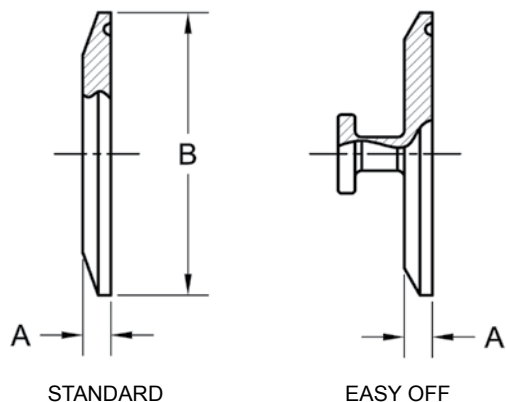
23BMP - THERMOMETER CAP



NOTE: SIZES ARE LISTED CLAMP SIZE X NPT SIZE

PART NUMBER	SIZE	A
23BMP-.50X.125	1/2 & 3/4 X 1/8	.500
23BMP-.50X.25	1/2 & 3/4 X 1/4	.500
23BMP-.50X.375	1/2 & 3/4 X 3/8	.500
23BMP-1X.25	1 & 1-1/2 X 1/4	.625
23BMP-1X.375	1 & 1-1/2 X 3/8	.625
23BMP-1X.50	1 & 1-1/2 X 1/2	.625
23BMP-1.5X.75	1 & 1-1/2 X 3/4	.625
23BMP-1.5X1	1 & 1-1/2 X 1	.625
23BMP-2X.50	2 X 1/2	.625
23BMP-2X.75	2 X 3/4	.625
23BMP-2X1	2 X 1	.625
23BMP-2X1.5	2 X 1-1/2	.625
23BMP-2.5X.50	2-1/2 X 1/2	.625
23BMP-2.5X.75	2-1/2 X 3/4	.625
23BMP-2.5X1	2-1/2 X 1	.625
23BMP-2.5X1.5	2-1/2 X 1-1/2	.625
23BMP-3X.50	3 X 1/2	.625
23BMP-3X.75	3 X 3/4	.625
23BMP-3X1	3 X 1	.625
23BMP-3X1.5	3 X 1-1/2	.625
23BMP-3X2	3 X 2	.625
23BMP-4X.50	4 X 1/2	.625
23BMP-4X.75	4 X 3/4	.625
23BMP-4X1	4 X 1	.625
23BMP-4X1.5	4 X 1-1/2	.625
23BMP-4X2	4 X 2	.625

16AMP - SOLID END CAP



NOTE:
END CAPS AVAILABLE IN STANDARD OR EASY OFF STYLE.
STANDARD CAPS ALSO AVAILABLE IN ACRYLIC AND LEXAN.
SEE PAGE 120

PART NUMBER	SIZE	A	B
16AMP-.50	1/2 & 3/4	.188	.984
16AMP-1-A	1 (TYPE A)	.250	1.339
16AMP-1	1 & 1-1/2	.250	1.984
16AMP-2	2	.250	2.516
16AMP-2.5	2-1/2	.250	3.047
16AMP-3	3	.250	3.579
16AMP-4	4	.312	4.682
16AMP-5	5	.375	5.687
16AMP-6	6	.438	6.570
16AMP-8	8	.480	8.570
16AMP-10	10	.480	10.570
16AMP-12	12	.480	12.570