



6 SERIES CONTROLLED TEMPERATURE HEATED HOLDING CABINETS

**Metro Heated Cabinets are for
Hot Food Holding applications only**

When ordering electrical parts, always confirm the rating listed on rear cabinet data plate. Differences on voltage, amps or wattage are listed with **bold text** in replacement part descriptions.

DESCRIPTION

This manual covers cabinets with electrical ratings of: 120V 2000W, 120V 1440W & 220-240V 1681-2000W.



6 SERIES HEATED CABINET BASIC OPERATING GUIDELINES

1. With the POWER switch OFF, plug the supply power cord into an appropriate, grounded, receptacle. (Refer to the cabinet data plate for voltage and ampere rating).
2. Ensure that the cabinet's floor duct and water pan are installed. (refer to the cabinet operating instructions). This helps to distribute the heat evenly throughout the cabinet.
3. If extra humidity is desired, fill the water pan in the floor duct of the cabinet with clean warm water. The capacity of the pan is about one quart (one liter).
4. Set the POWER switch to the ON position. The red power light next to the switch will glow when the power is switched ON and will continue to glow until switched OFF.
5. Set the TEMPERATURE control to 6 or 7. This should provide a temperature of 150° to 170°F (66° to 77°C) after allowing the cabinet to preheat for 45 to 60 minutes.
6. The red indicator light between the thermostat and thermometer will turn on and off as the thermostat and heat elements cycle.
7. To change temperature set point, turn the TEMPERATURE control knob. About 30 minutes after a knob is turned, the thermometer should accurately display the change in cabinet temperature.
8. To clean cabinet, turn power off, unplug from wall outlet, allow the cabinet to cool, remove the floor duct and pan, wipe the cabinet with a damp cloth and dry with a towel.
9. Consult the instructions for use for additional operation and maintenance information.



CAUTION



- ✓ UNPLUG CABINET FROM WALL, ALLOW CABINET AND WATER TO COOL, BEFORE CLEANING OR SERVICING.
- ✓ SOME SURFACES, WATER, AND ESCAPING VAPOR CAN BE HOT ENOUGH TO BURN. USE CAUTION WHEN OPENING DOORS AND WORKING IN AND AROUND THIS CABINET.
- ✓ DO NOT SPRAY OR POUR WATER INTO THE CONTROLLER ENCLOSURE. TO CLEAN CABINET, WIPE WITH A DAMP CLOTH AND DRY WITH A TOWEL.
- ✓ KEEP THE CABINET CLEAN. ACCUMULATION OF GREASE AND DIRT MAY IGNITE.

TABLE OF CONTENTS

SECTION	PAGE
I. Basic Operating Guidelines.....	2
II. Safety Instructions.....	3
III. Identifying Your Cabinet	4
IV. Installation & Set-up.....	5
V. Product Features	9
VI. Operating Instructions.....	10
VII. Care & Maintenance.....	11
VIII. Basic Troubleshooting	12
IX. Service & Replacement Parts	13
X. Warranty.....	17

SAFETY INFORMATION

- WARNING:** Follow all food safety guidelines. Pre-heat the cabinet to the desired temperature before placing cooked, hot food into the cabinet. This is not a re-thermalizing cabinet. Food must be at the appropriate temperature before being placed into this cabinet. Use a food probe to check internal food temperature — the cabinet temperature is not necessarily the internal food temperature.

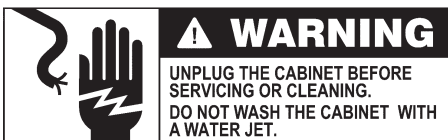
- WARNING:** Only factory approved service agents should attempt to service, repair or replace electrical components, wiring or power cord.

- WARNING:** Unplug the cabinet before cleaning or servicing. Do not wash the cabinet with a water jet or high pressure water.

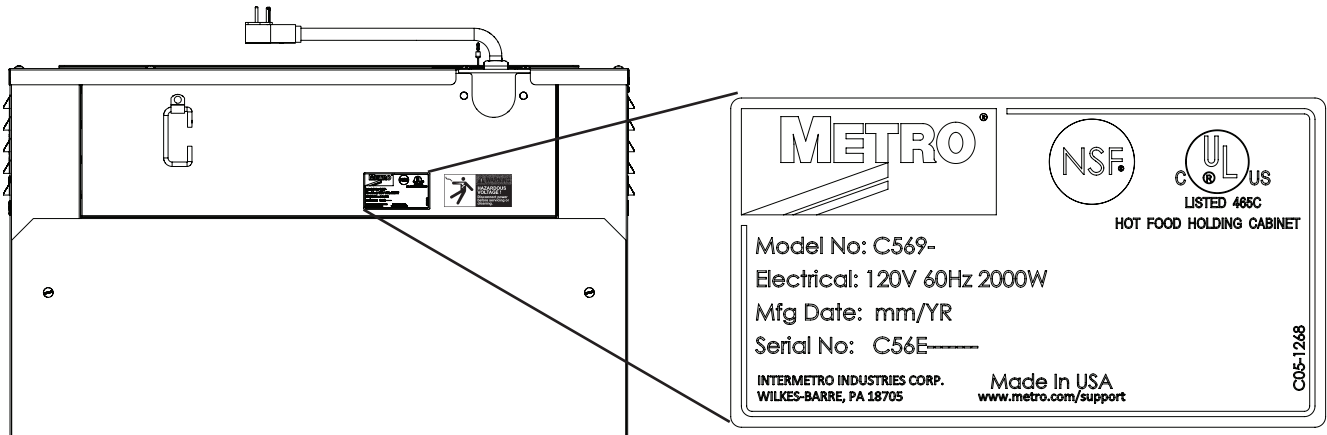
- WARNING:** This cabinet is for hot food holding applications only.

- CAUTION:** Do not spray or pour water into the top of the cabinet (control enclosure). To clean the cabinet, wipe with a damp cloth and dry with a towel. Use only cleaning agents approved for stainless steel (depending on your cabinet construction).

- CAUTION:** Water dripping onto the floor from open doors can be a slip hazard.



IDENTIFYING YOUR CABINET



For future reference, note the serial and model number, found on the data plate of the cabinet, here.

Model number _____

Serial number _____

Date the cabinet was put into service _____

Fill out and return the warranty card located at the back of this manual.

PART NUMBERING

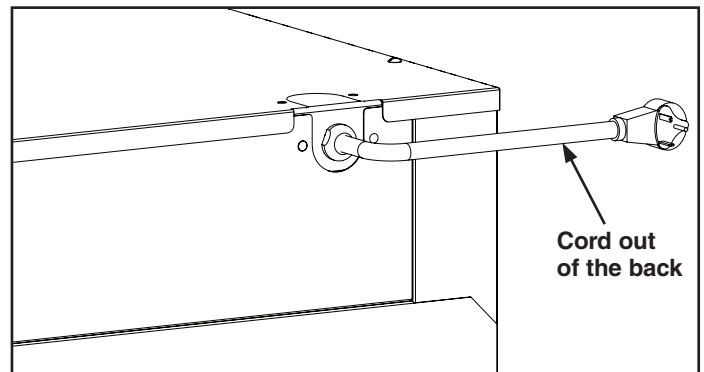
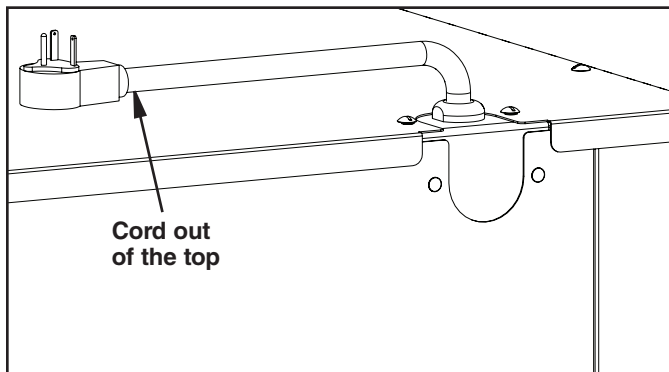
	C5 6 9 X - S FS - L P FS A	
CABINET NAME _____		A = ACCESSORIES (IF APPLICABLE)
CABINET TYPE _____		REAR DOOR(S) (PASS THRU) BLANK = NON-PASS THRU FS = FULL SOLID DS = DUTCH SOLID FC = FULL CLEAR DC = DUTCH CLEAR
CABINET SIZE (HEIGHT) _____		CABINET CONSTRUCTION BLANK = NON-PASS THRU P = PASS-THRU, DOORS (FRONT & REAR)
6 = 6 SERIES (HEATED)		SLIDES L = LIP LOAD (FIXED) U = UNIVERSAL (ADJUSTABLE)
9 = FULL		FRONT DOOR(S) FS = FULL SOLID DS = DUTCH SOLID FC = FULL CLEAR DC = DUTCH CLEAR
7 = 3/4		
5 = 1/2		
3 = UNDER COUNTER		
ELECTRICAL CABINET RATING _____		
BLANK = 120V 2000W		
L = 120V 1440W		
X = 220-240V, 50/60HZ, 1681-2000W		
MATERIAL _____		
S = STAINLESS		

INSTALLATION AND SET-UP

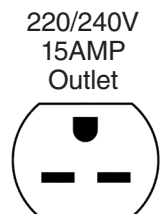
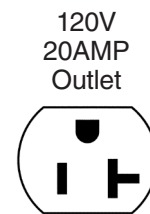
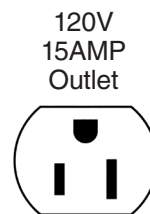
1. Check for Shipping Damage: Check the packaging and cabinet for shipping damage after unloading the unit, and after removing all the packaging.
2. The receiver of this product is responsible for filing freight damage claims. This equipment must be opened immediately for inspection. All visible damage must be reported to the freight company within 48 hours and must be noted on freight bill at the time of delivery.
3. Concealed damage is your responsibility — you must advise the carrier of any loss or damage within 5 days after receipt of the cabinet. If there is damage, retain the original packaging for inspectors.
4. After unpacking the cabinet, remove all tape and packing material from the inside as well as outside of the unit.
5. Any protective covers (plastic or paper sheet) on the sheet metal or clear door, if applicable, must also be removed before turning the cabinet on.

WARNING: Only factory approved service agents should attempt to service, repair or replace electrical components, wiring or the power cord.

6. The power cord can be installed to exit the back of the cabinet for wall outlets or out the top of the cabinet for ceiling power drops. To change the position of the power cord, first make sure the cabinet power switch is off and the power cord is unplugged from any electrical outlet. Remove the (7) screws holding the cabinet top in place. Lift the rear portion of the cabinet top and slide it away from under the front control bezel, removing it from the cabinet. Remove the (2) screws on the rear of the cabinet that hold the cord bracket in place. Rotate the power cord bracket 90° to the desired position and reattach it with the (2) screws to the back of the cabinet. Make sure the green ground wire connection and the wire nuts on the black and white wires have not loosened. Do not alter the wiring of the power cord to the cabinet. Replace the cabinet top and the (7) screws holding it in place.



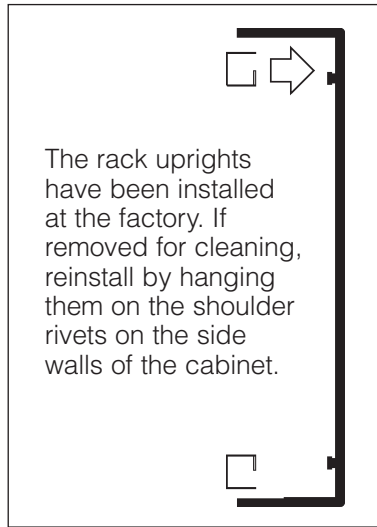
7. Refer to the data plate located near the power cord for the electrical specifications of cabinet. With the POWER switch OFF, plug the cord into the appropriate rated, grounded receptacle. Cabinets rated at 120V 2000W must be plugged into 125VAC 20 amp receptacle and must be used on an individual branch circuit. Cabinets rated at 120V 1440W may be plugged into either a 15 amp or 20 amp receptacle. Cabinets rated at 220-240V 1681-2000W must be plugged into a 250VAC, 15 amp receptacle.



8. Your C5 cabinet is designed to operate next to walls and other kitchen equipment. However, the greater the clearance around the sides and the top of the cabinet, the cooler the electrical components will operate. This may result in a longer life expectancy for the electrical components.

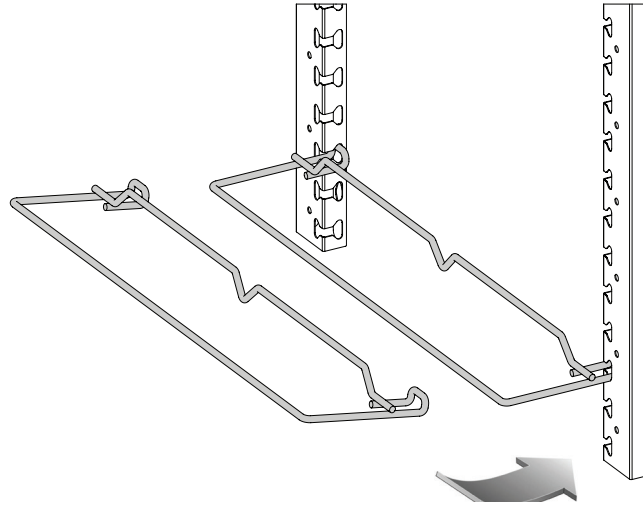
WARNING: Do not allow combustible materials to be stored or accumulate on, under or next to the cabinet. Do not block any ventilation louvers or slots.

INSTALLATION AND SET-UP (continued)



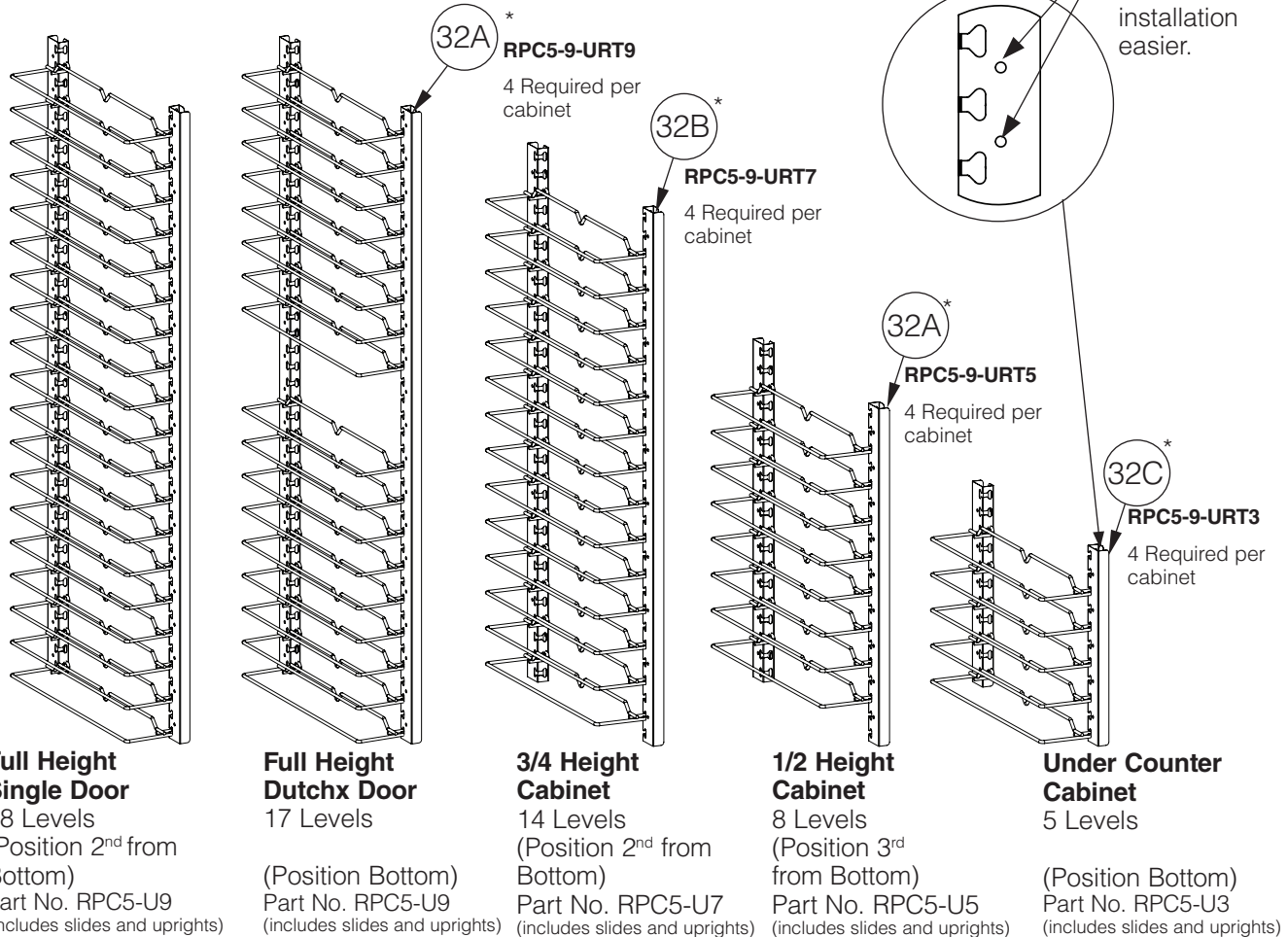
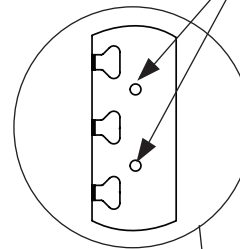
TOP VIEW

SLIDE INSTALLATION



SLIDE POSITION to MAXIMIZE 3" PAN CAPACITY OF UNIVERSAL SLIDES

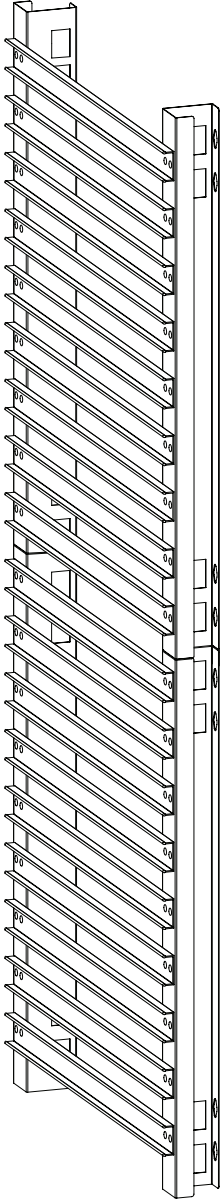
SiteSelect™ features make slide installation easier.



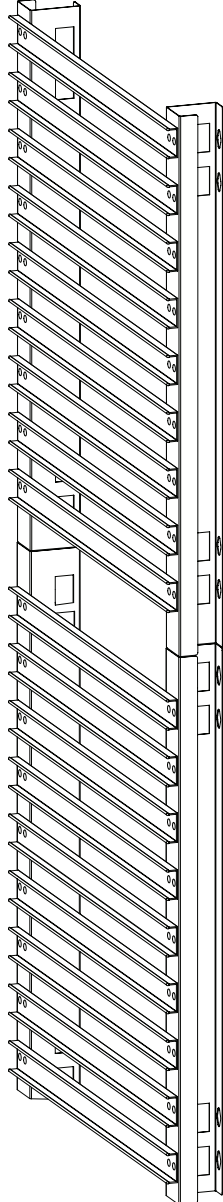
Slides sold in pairs. For additional pair of wire slides, order C5-USLIDEP-R for Chrome or C5-USLIDEP-S for Stainless Steel. To order individual universal uprights only, see item #'s 32A, 32B, 32C.

INSTALLATION AND SET-UP (continued)

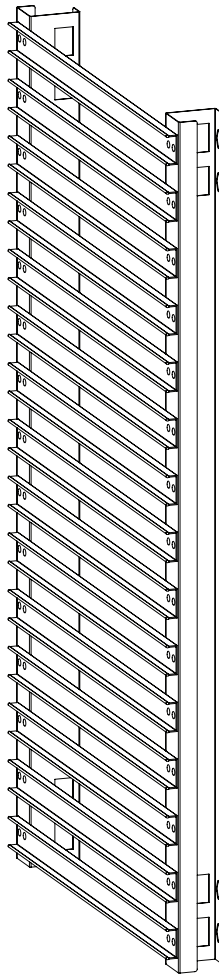
CORRECT ORIENTATION OF LIP LOADED SLIDE RACKS



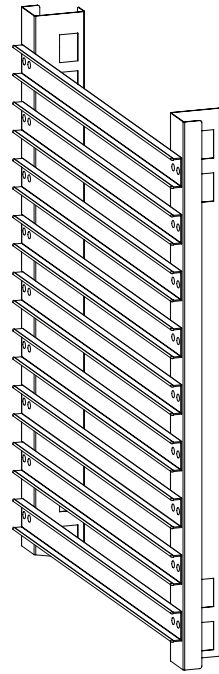
**Full Height
Single Door**
2-piece Construction
Part No. RPC5-L9



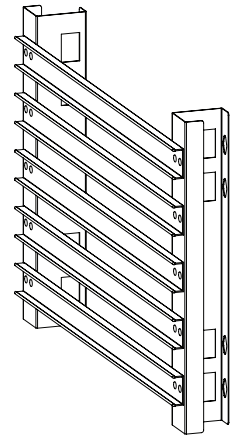
**Full Height
Dutch Doors**
2-piece Construction
Part No. RPC5-L9



**3/4 Height
Cabinet**
1-piece Construction
Part No. RPC5-L7



**1/2 Height
Cabinet**
1-piece Construction
Part No. RPC5-L5



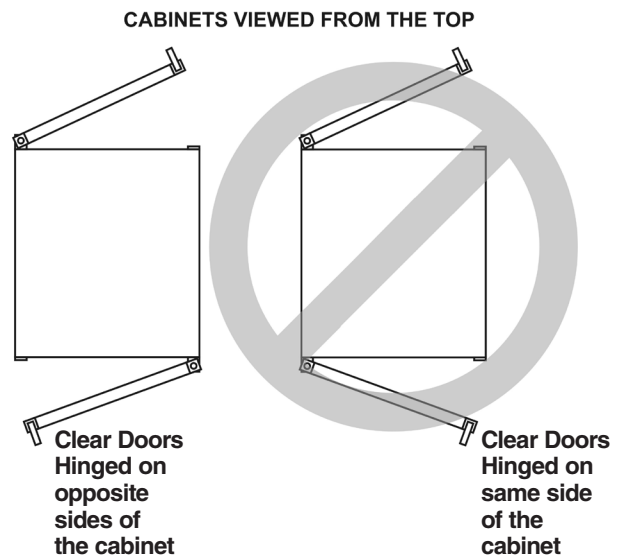
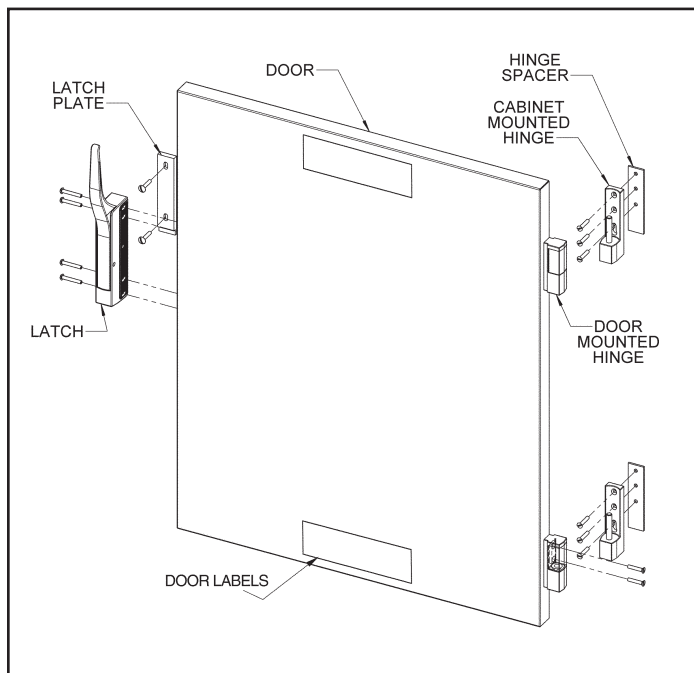
**Under Counter
Cabinet**
1-piece Construction
Part No. RPC5-L3

Slides sold in pairs.

REVERSING THE DOORS

WARNING • TIP HAZARD

Tip Hazard: On Pass-Thru cabinets that include any clear doors, when field reversing, the front and back doors must be hinged from opposite sides of the cabinet. See illustration below.

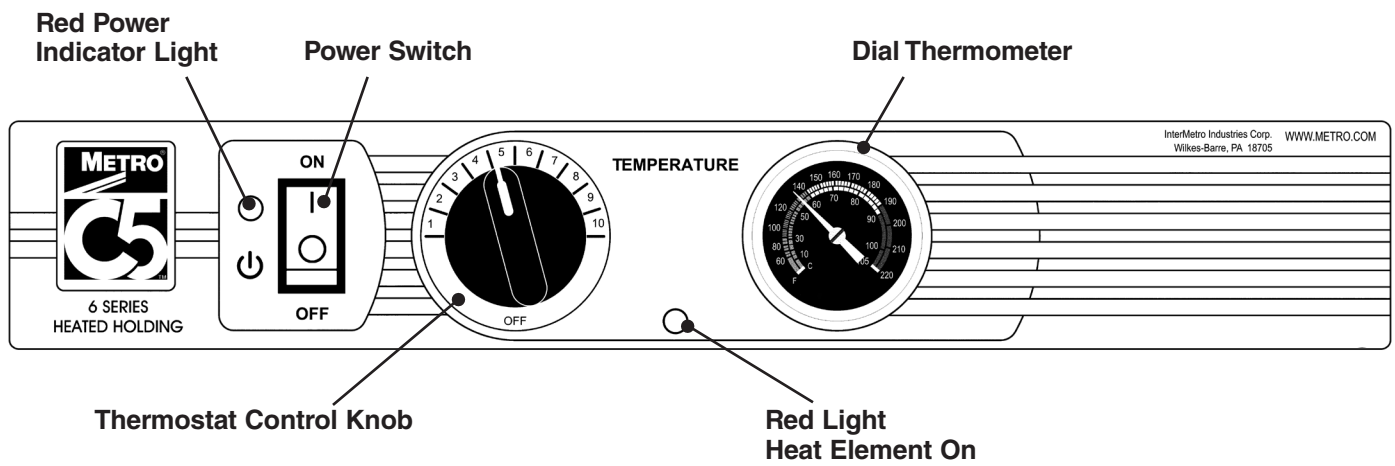
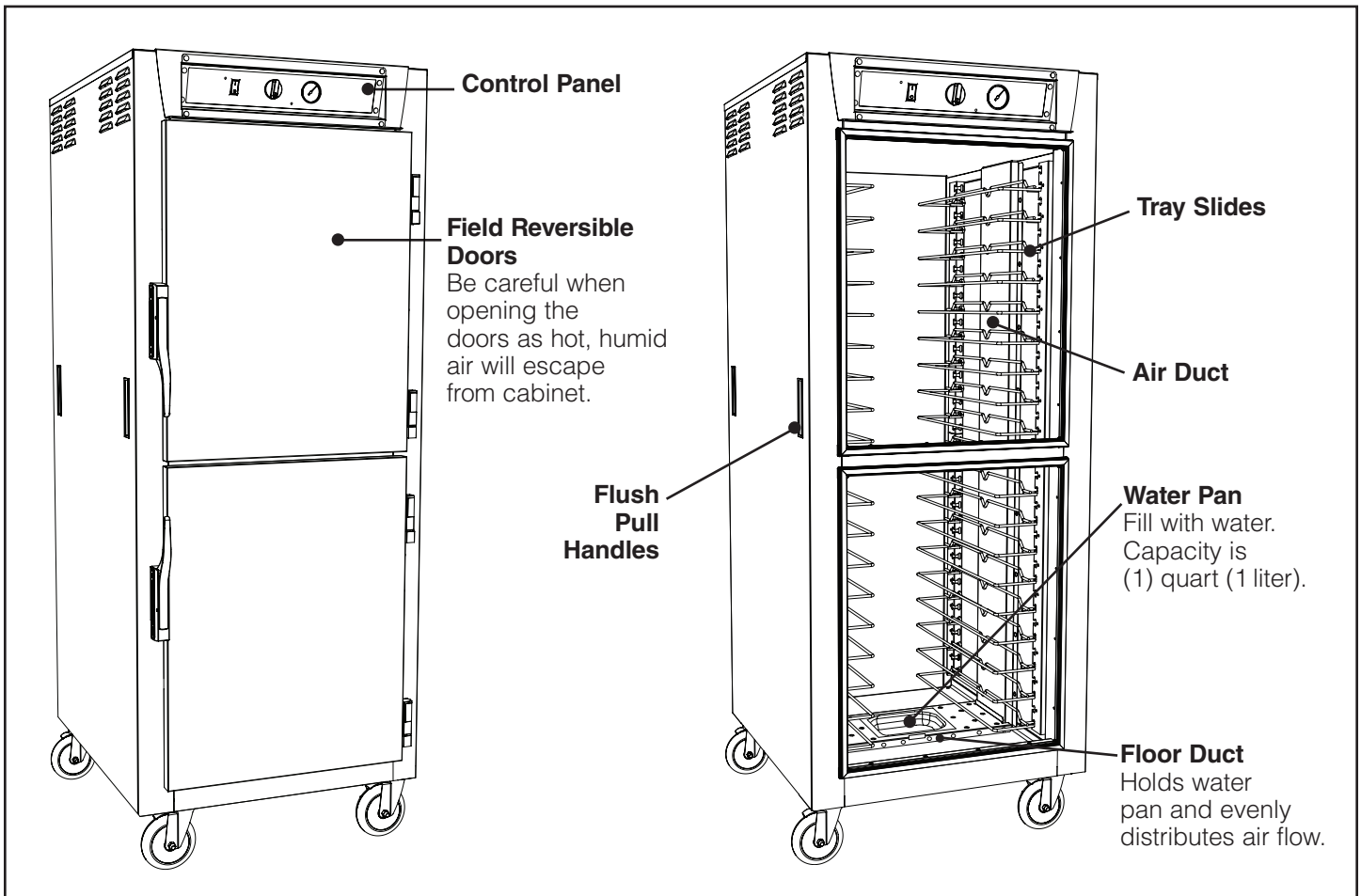


After reversing the door hinging direction, labels are now upside down. You may contact InterMetro for a new set of labels, part number RPC5-DRLBL, at no charge, to be placed in the proper orientation.

C5 doors are normally hinged on the right hand side at the factory. If the cabinet has been in operation, allow the door to cool before reversing the door hinging direction. Note: When finished, all holes must have screws in them and there will be no exposed holes left in the cabinet.

1. If the cabinet has Dutch Doors, note which is the top and which is the bottom door. Open the door, lift it off the cabinet hinges and set it aside noting which is the top and bottom of the door.
2. On the cabinet, remove the latch strike plate and hinges and install them on the other side of the cabinet. On the door, remove the hinge covers to access the mounting screws. Remove the hinges.
3. Rotate the door so the previous bottom is now the top and install the hinges. On Dutch Doors, do not remove the handles, the top door becomes the bottom and the bottom door the top. On single door units, rotate the handles 180° and reinstall.
4. On the cabinet mounted hinges, lift the white bushing and rotate it 180° and push it down to reseat it on the hinge pin.
5. Install the door onto the cabinet hinges and check to make sure the door latches properly and the gaskets are in compression.
6. Fill hinge holes with loose screws.

PRODUCT FEATURES



OPERATING INSTRUCTIONS

Power-Up & Pre-Heat

- A red indicator next to the on/off switch indicates when the power switch is on and the cabinet has power. It will stay lit until the cabinet is turned off. Turn the cabinet on and adjust the thermostat to the desired setting. The thermometer indicates the internal cabinet temperature. A second red indicator light is located between the thermostat and the thermometer and indicates when the thermostat cycles on to energize the air element (to increase the cabinet temperature). When this light is not illuminated, it means the cabinet has reached the preset temperature level. It is normal for the thermostat to cycle on and off as the cabinet is operating.
1. Set the temperature control to a 6 or 7 setting. This should produce a cabinet temperature of 150° F (66° C) to 170° F (77° C) after allowing the cabinet to preheat for 45-60 minutes. Allow the cabinet to pre-heat without food. The time required to reach the desired temperature is dependent on the set point, the size of the cabinet, the door type (solid or clear) and the temperature of the room the cabinet is in. To change the temperature, turn the temperature control knob. About a half hour after adjusting the temperature control knob, the thermometer should indicate the new cabinet temperature.
 - At the end of the operating day, it is not necessary to disrupt the temperature setting to turn the cabinet off. By switching the power switch off, the cabinet is no longer operating. When resuming operations, switch the power on and the cabinet will attain the preset temperature level.

Warning: Follow all food safety guidelines. Pre-heat the cabinet to the desired temperature before putting cooked, hot food into the cabinet. This is not a re-thermalization cabinet. Food must be at the appropriate temperature before being placed into this cabinet.

2. Your C5 6 Series cabinet is capable of creating some humid air. As you operate the cabinet and open and close the door(s), condensation may form on the inside surfaces of the cabinet. Some dripping of water may occur to the outside of the cabinet particularly at the door seals. Water may also drip off opened doors onto the floor.

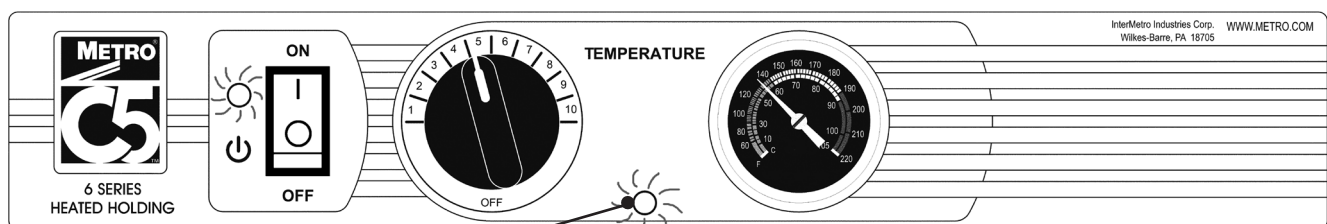
Caution: Water dripping onto the floor from open doors can be a slip hazard.

Warning: Some surfaces, water and escaping vapor can be hot enough to burn. Use caution when opening doors and working in and around this cabinet.

3. The cabinet control will “remember” its setting when the cabinet is turned off. Therefore, when the unit is turned on the setting will be the same as it was during the previous use.

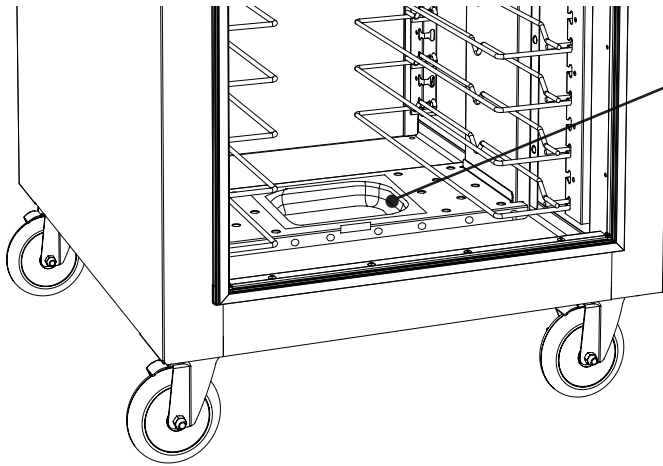


4. A red indicator light next to the temperature control indicates when the temperature heater element is energized. As the control setting is adjusted, it may take a few moments for the status of the indicator light to reflect the new control setting and cabinet condition depending on when in the control cycle the setting is changed.



Red Light  Indicates when heat element is on.

- If humidity is required, fill the water pan in the bottom of the cabinet. Potable (suitable for drinking) water should be used.



Water Pan

Fill with water. Capacity is about 1 quart (1 liter).



- To remove the water from the water pan, allow the cabinet and water to cool and remove the water pan.

Note: When turning the cabinet off at the end of the work day, it is recommended to leave the door(s) open to prevent heat and condensation build up within the cabinet.

CARE & MAINTENANCE

Cleaning The Cabinet

Warning: Unplug the cabinet before cleaning or servicing. Do not wash the cabinet with a water jet or high pressure water.

Caution: Do not spray or pour water into the control enclosure. To clean the cabinet, wipe with a damp cloth and dry with a towel. Use only cleaning agents approved for stainless steel (depending on your cabinet construction).

Caution: Do not use cleaners with chlorides or phosphates as they may cause damage to stainless steel.

- Use cleaners in the proper concentrations. Follow the manufacturer's directions for the cleaning product used. After using any cleaning products, thoroughly rinse all surfaces to remove all residue.
- Use a damp cloth or sponge. Mild soap suitable for stainless steel is acceptable. Dry with a clean towel. Wipe up spills as soon as possible and regularly clean the cabinet to avoid staining and difficult to clean conditions.

If the control knob needs to be removed for cleaning, use a $\frac{1}{16}$ " Allen key to loosen the set screw on the control knob. Remove the knob, clean the control face and/or knob and replace the knob and tighten the set screw.

BASIC TROUBLESHOOTING

Warning: Only factory approved service agents should attempt to service, repair or replace electrical components, wiring or power cord.

1. Controls do not work (indicator lights):

- a. Check that the cabinet is plugged in.
- b. Check that the outlet has power.
- c. Check that the power switch is in the “On” position.
- d. Check the cabinet wiring from the power cord to the power switch and to the terminal block.

2. Temperature too hot:

- a. Temperature set point is too high. Turn control knob down to a lower setting.
- b. If displayed temperature exceeds 220°F (104°C):
 - i. Blower wiring is faulty or disconnected.
 - ii. Blower needs replacing.
 - iii. The thermostat may have failed and the thermal overload device is controlling the temperature. Stop using the cabinet immediately and contact a factory approved service agent.

3. Temperature too low:

- a. The cabinet may still be in pre-heat or recovering from a door being opened.
- b. Temperature set point is too low. Turn temperature control knob to a higher setting.
- c. A door is not closed or sealing properly.
- d. Blower is not circulating air:
 - i. Blower wiring is faulty or disconnected.
 - ii. Blower needs replacing.

4. No heat generated

- a. If the heat indicator light is on but the cabinet does not draw approximately 16 amps for 120V 2000W units; 12 amps for 120V 1440W units; or 8 or 9 amps for 220-240V units:
 - i. Air heater element may be faulty.
 - ii. The wiring to the air heater element may be faulty or disconnected.
 - iii. The thermostat may be faulty.

5. Cabinet trips GFCI (ground fault circuit interrupter):

A GFCI receptacle protects against “ground faults” whenever an electrical product is plugged into the GFCI outlet by constantly monitoring the electricity for any loss of current. If the current flowing out of the receptacle differs by a small amount from that returning, the GFCI quickly switches off power to that circuit. The GFCI interrupts power extremely fast to minimize the possibility of an electric shock.

- a. The heater element may absorb some moisture into its casing and insulation during shipment or during long periods of not being used (such as during the summer in a closed school kitchen). Plug the cabinet (without water in the water pan) into a non-GFCI outlet, set the temperature to “10” and let it run for 30-60 minutes to dry out any moisture the element may have absorbed. (If it trips the standard circuit breaker call factory approved service agent.) After drying the element, plug the cabinet into the GFCI outlet; the cabinet should run without tripping the GFCI.
- b. If the cabinet still trips the GFCI, call a factory approved service agent.

SERVICE and REPLACEMENT PARTS

C5 6 SERIES REPLACEMENT PARTS — ELECTRICAL

Confirm the cabinet electrical rating before ordering components.

Warning: Only factory approved service agents should attempt to service, repair or replace electrical components, wiring or power cord.

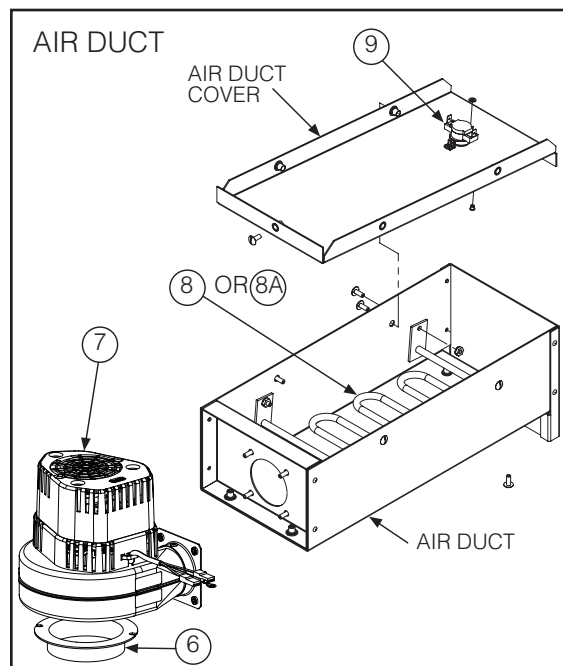
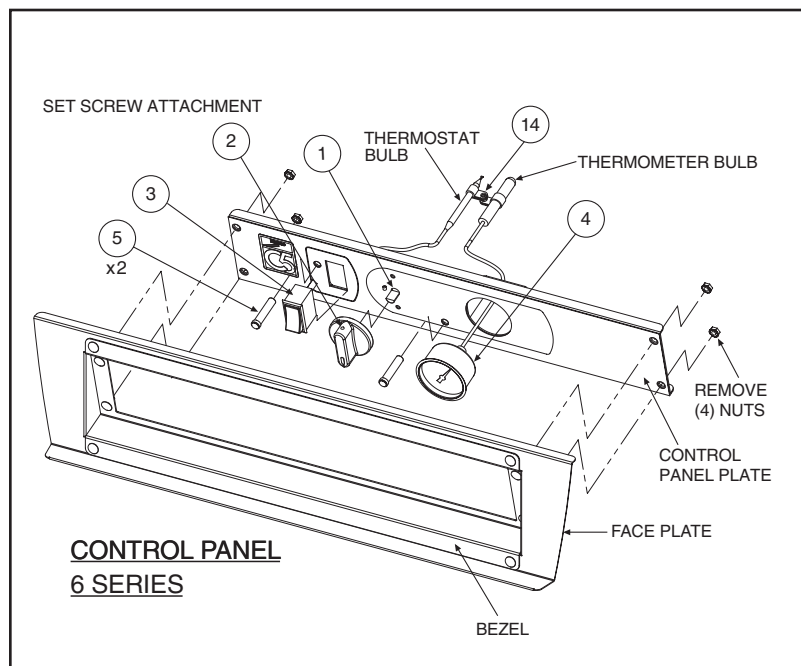
To access the controller area, remove the (7) screws holding the cabinet top in place. Lift the rear portion of the cabinet top and slide it away from under the front control bezel, removing it from the cabinet. After servicing, replace the cabinet top and the (7) screws holding it in place.

120V 1440W OR 2000W

ITEM #	Replacement Part No.	Description
1	RPC13-129	THERMOSTAT
2	RPC06-746	KNOB
3	RPC13-375	MASTER SWITCH
4	RPC13-218	THERMOMETER
5	RPC13-245	RED INDICATOR LIGHT
6	RPC11-191	INTAKE COLLAR
7	RPHM20-2103	BLOWER, 120V
8	RPC13-093	ELEMENT, 120V 1950W
8A	RPC13-114	ELEMENT, 120V 1360W
9	RPC13-198	THERMAL CUT OUT
10	RPC5-RTANGLE-20	POWER CORD, 20A RT ANGLE PLUG
	RPC5-STRPLG-20	POWER CORD, 20A STR PLUG
	RPC5-RTWSTPLG	POWER CORD, 20A TWIST LK PLUG
10A	RPC5-RTANGLE-15	POWER CORD, 15A RT ANGLE PLUG
	RPC5-STRPLG-15	POWER CORD, 15A STR PLUG
	RPC5-RTWSTPLG-15	POWER CORD, 15A TWIST LK PLUG
11	RPC13-098	STRAIN RELIEF, 20A CORD
11A	RPC13-083	STRAIN RELIEF, 15A CORD
12	RPC13-096	TERMINAL BLOCK
13	RPC07-055	SENSOR CABLE GROMMET
14	RPC5-SCLP	SENSOR CLAMP & SCREW

220-240V 1681W OR 2000W

ITEM #	Replacement Part No.	Description
1	RPC13-129	THERMOSTAT
2	RPC06-746	KNOB
3	RPC13-375	MASTER SWITCH
4	RPC13-218	THERMOMETER
5	RPC13-245	RED INDICATOR LIGHT
6	RPC11-191	INTAKE COLLAR
7	RPHX20-2103	BLOWER, 220-240V
8	RPC13-117	ELEMENT, 240V 1950W
9	RPC13-198	THERMAL CUT OUT
10A	RPC5-STRPLG-240V	POWER CORD, 240V 15A
11A	RPC13-083	STRAIN RELIEF, 15A CORD
12	RPC13-096	TERMINAL BLOCK
13	RPC07-055	SENSOR CABLE GROMMET
14	RPC5-SCLP	SENSOR CLAMP & SCREW



SERVICE and REPLACEMENT PARTS (continued)

C5 6 SERIES REPLACEMENT PARTS — CABINET BODY

ITEM #	Replacement Part No.	Description	ITEM #	Replacement Part No.	Description
CABINET BODY			CABINET BODY (continued)		
15	RPC06-873B	FULL HEIGHT DOOR GASKET	*24	RPC5-U9	TALL CABINET UNIVERSAL SLIDE ASSEMBLY (INCLUDES WIRE SLIDES & UPRIGHTS)
	RPC06-873C	3/4 HEIGHT DOOR GASKET		RPC5-U7	3/4 HEIGHT CABINET UNIVERSAL SLIDE ASSEMBLY (INCLUDES WIRE SLIDES & UPRIGHTS)
	RPC06-873A	1/2 HEIGHT & DUTCH DOOR GASKET		RPC5-U5	1/2 HEIGHT CABINET UNIVERSAL SLIDE ASSEMBLY (INCLUDES WIRE SLIDES & UPRIGHTS)
	RPC06-873D	UNDER COUNTER DOOR GASKET		RPC5-U3	UNDER COUNTER CABINET UNIVERSAL SLIDE ASSEMBLY (INCLUDES WIRE SLIDES & UPRIGHTS)
16	RPC5-S9DR	STAINLESS STEEL FULL HEIGHT SOLID DOOR	*25	C5-USLIDEPR-C	CHROME UNIVERSAL WIRE SLIDES — 1 PAIR
	RPC5-S7DR	STAINLESS STEEL 3/4 HEIGHT SOLID DOOR		C5-USLIDEPR-S	STAINLESS STEEL UNIVERSAL WIRE SLIDES — 1 PAIR
	RPC5-S5DR	STAINLESS STEEL 1/2 HEIGHT & BOT D SOLID DOOR	26	RPC5-SSLEG-1	EQUIPMENT LEG — QTY 1
	RPC5-S9TDDR	STAINLESS STEEL TOP DUTCH SOLID DOOR	27	RPC5-DRLBL	DOOR LABELS 1 DOOR (USED WHEN REVERSING DOORS)
	RPC5-S3DR	STAINLESS STEEL UNDER COUNTER SOLID DOOR	28	C5-SHELF-S	ACCESSORY SHELF (USED WITH UNIVERSAL UPRIGHTS)
	RPC5-S9CDR	STAINLESS STEEL FULL HEIGHT CLEAR DOOR	29	RPC5-9-BMPR	BUMPER — 1 PAIR
	RPC5-S7CDR	STAINLESS STEEL 3/4 HEIGHT CLEAR DOOR	30	RPC59-HGR	BACK HANGER REPAIR KIT (4 PCS)
	RPC5-S5CDR	STAINLESS STEEL 1/2 HEIGHT & BOTTOM D CLEAR DOOR	31	RPC5-9-HANDLE	CABINET HANDLE
	RPC5-S9CTDDR	STAINLESS STEEL TOP DUTCH CLEAR DOOR	32A	RPC5-9-URT5	INDIVIDUAL UNIVERSAL UPRIGHT, FULL & 1/2 HEIGHT
	RPC5-S3CDR	STAINLESS STEEL UNDER COUNTER CLEAR DOOR	32B	RPC5-9-URT7	INDIVIDUAL UNIVERSAL UPRIGHT, 3/4 HEIGHT
17	RPC11-274	DOOR LATCH — 1 PIECE	32C	RPC5-9-URT3	INDIVIDUAL UNIVERSAL UPRIGHT, UC CABINET
	RPC14-253	FLUSH HANDLE DOOR LATCH — 1 PIECE			
	RPC14-129	DOOR LATCH WITH KEY LOCK — 1 PIECE			
18	RPC14-042	DOOR HINGE — 1 PIECE			
19	B5DNB	5" BRAKE CASTER			
	RPQC02-248	6" BRAKE CASTER			
	B3B	3" BRAKE CASTER			
20	B5DN	5" SWIVEL CASTER			
	RPQC02-247	6" SWIVEL CASTER			
	B3	3" SWIVEL CASTER			
	B5DRN	5" RIGID CASTER			
21	RPC06-872	POCKET HANDLE			
22	RPC11-185	WATER PAN			
*23	RPC5-L9	TALL CABINET LIP LOADED SLIDE ASSEMBLY			
	RPC5-L7	3/4 HEIGHT CABINET LIP LOADED SLIDE ASSEMBLY			
	RPC5-L5	1/2 HEIGHT CABINET LIP LOADED SLIDE ASSEMBLY			
	RPC5-L3	UNDER COUNTER CABINET LIP LOADED SLIDE ASSEMBLY			

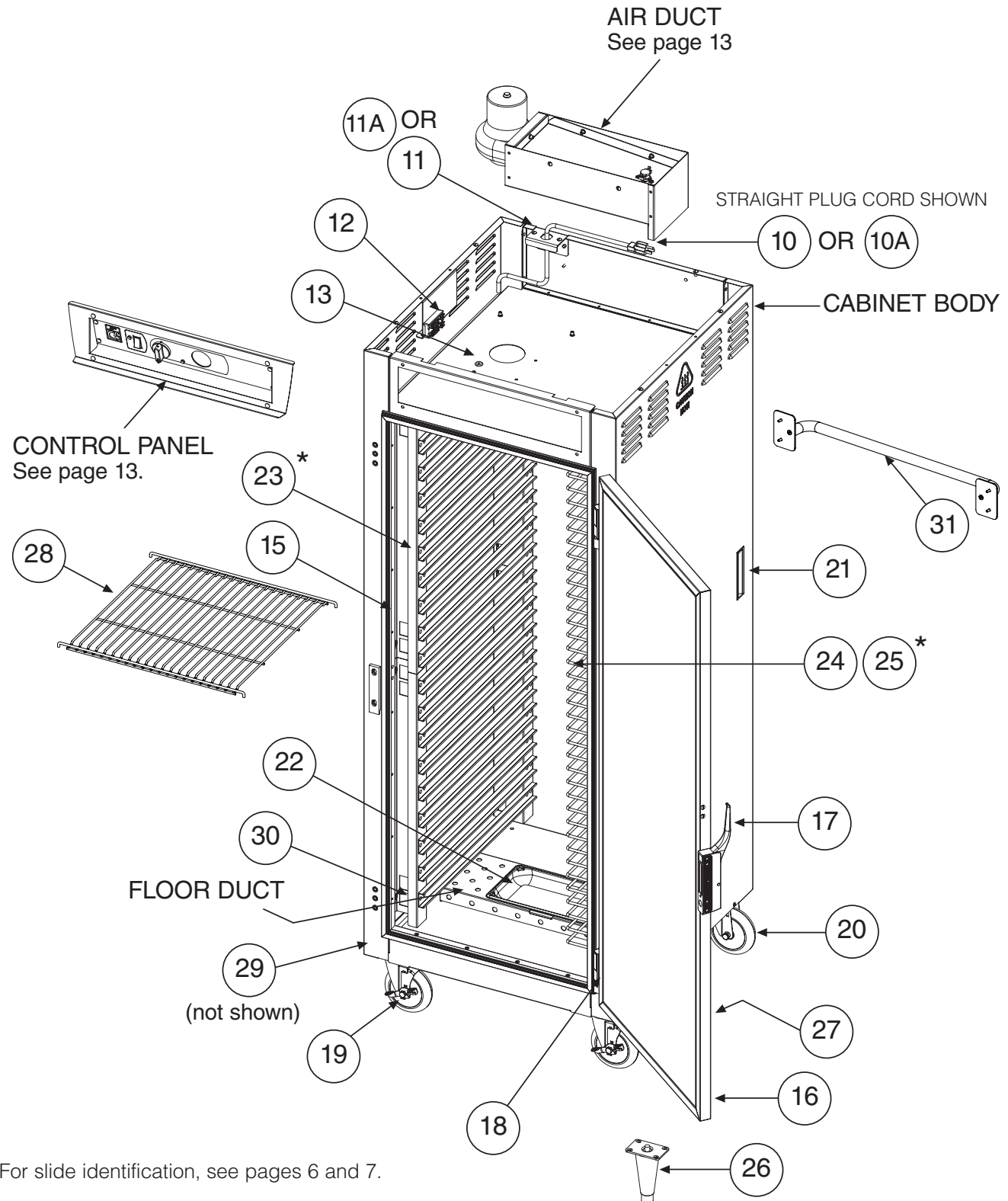
*See pages 6 and 7 for slide identification.
All slides sold as pairs.

SERVICE and REPLACEMENT PARTS (continued)

Replacement Parts Diagram

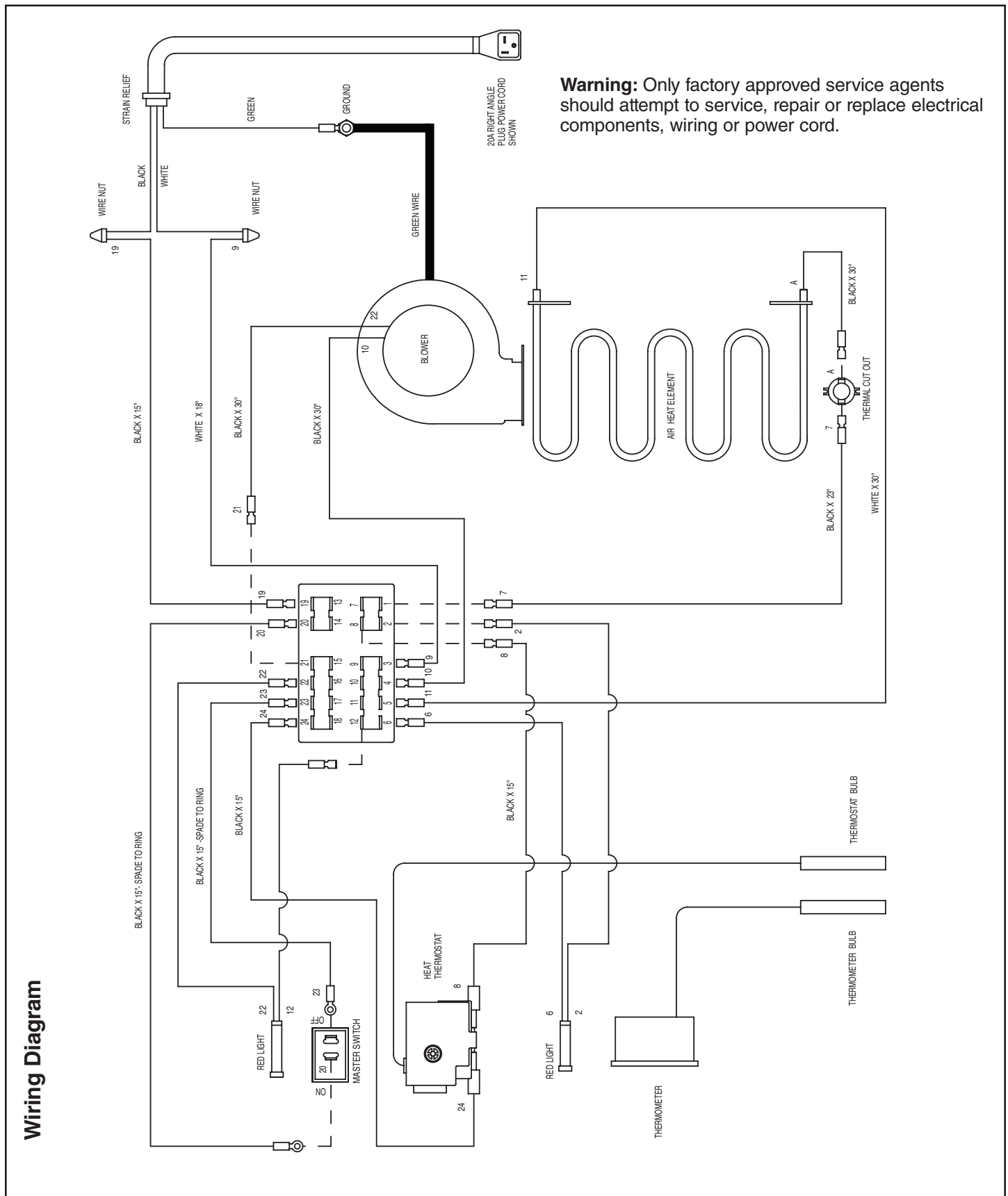
6 SERIES

(Tall Unit Shown)



*For slide identification, see pages 6 and 7.

SERVICE and REPLACEMENT PARTS (continued)



Warranty

WARRANTY, EXCLUSION OF WARRANTIES AND LIMITATION OF LIABILITY. InterMetro Industries Corporation (hereinafter referred to as “Seller”) warrants to the original purchaser that all products in its catalog, or custom products, delivered hereunder will be free from defects in workmanship and material. THE FOREGOING WARRANTY IS EXCLUSIVE AND IN LIEU OF ALL OTHER WARRANTIES, EXPRESS, IMPLIED OR STATUTORY, INCLUDING ANY WARRANTY OF MERCHANTABILITY OR FITNESS FOR A PARTICULAR PURPOSE. This Warranty shall be for a period of one (1) year from the date of shipment from Seller’s warehouse or factory. If any product delivered hereunder does not meet the Warranty specified above, providing the product has not been altered in any way by anyone other than Seller’s factory-authorized representative, and assuming normal and proper use and maintenance, Seller will, at its option, repair or replace any part or material it determines, upon inspection, to be defective; provided however, that a charge for labor will be made except during a period of one (1) year from the date of original shipment from Seller’s warehouse or factory. No product, or part thereof, is to be returned to Seller without prior written approval from Seller’s factory. All exchanges and replacement shipments will be F.O.B. Seller’s factory. Warranties for equipment or articles not manufactured by the Seller are solely the warranties of the manufacturers thereof and they are hereby assigned to the purchaser without recourse to the Seller.

SELLER’S LIABILITY FOR ANY CLAIM OF ANY KIND, WHETHER BASED ON CONTRACT, NEGLIGENCE OR STRICT LIABILITY IN TORT, AND BY WHOMEVER MADE, FOR ANY DIRECT, INDIRECT, INCIDENTAL OR CONSEQUENTIAL LOSS, DAMAGE OR INJURY, RESULTING TO THE PURCHASER OR ANY THIRD PARTIES, arising out of, connected with or resulting from this Agreement, or from the performance or breach thereof, or from the manufacture, sale, delivery, resale, installation, inspection, repair or use of any product covered by or furnished under this Agreement, WHETHER OR NOT CAUSED BY SELLER’S NEGLIGENCE, SHALL IN ALL EVENTS BE EXCLUSIVELY LIMITED TO THE COST OF CORRECTING DEFECTIVE, DAMAGED OR NON-CONFORMING PARTS OR MATERIAL AS HEREIN PROVIDED, and upon the expiration of one (1) year, all such liability shall terminate.

SELLER DOES NOT AUTHORIZE any person to assume for it any obligations or liabilities greater than or different than those set forth in this Warranty. The terms under which any of Seller’s products may be resold must be limited in accordance with this Warranty.

THIS AGREEMENT, and all the rights and obligations arising hereunder, shall be construed in accordance with, and be governed by, the law of the Commonwealth of Pennsylvania, U.S.A.

TO INSURE WARRANTY implementation, return the completed registration card within 15 days of cabinets’ receipt to: InterMetro Industries Corp., Wilkes-Barre, PA 18705



InterMetro Industries Corporation
Wilkes-Barre, PA 18705

06/2022

For online warranty registration, please go to www.metro.com/service-support/thermal-cabinets to register electronically

THIS PAGE IS KEPT
INTENTIONALLY BLANK

THIS PAGE IS KEPT
INTENTIONALLY BLANK

* Save this document for future application, load rating and/or safety reference.

© 2021 InterMetro Industries Corporation, Wilkes-Barre, PA 18705
L01-427 REV O 09/23



We put space to work.

an Ali Group Company



The Spirit of Excellence