



We put space to work.

Fixed Polymer “Poker Chip” Dish Dolly — PCD Series

High Capacity:

- Metro’s Fixed PCD’s can handle round dish sizes from 5⁵/₈” (145mm) to 12⁵/₈” (320mm) in diameter and square dishes 4¹/₄ (114mm) to 9¹/₈ (232mm).
- Unique 9-column units provide an additional column of dishes. Each column holds up to 60 dishes for a total capacity of up to 540 dishes.
- Four models of 4-column units and two models of 9-column units are available.

Maneuverable:

- Four recessed handles make it easy to maneuver in and out of tight areas and saves space. The compact design allows for maximum space utilization and convenient under counter storage.
- Four 5” (127mm) diameter swivel casters (two with brakes) with neoprene wheels provide for easy maneuverability and positioning.

Two-Handed Access:

- Unique design allows fast, safe and easy two-handed access to all dish columns. Minimize dish breakage and easily load and unload dishes.

Durable and Versatile Construction:

- One-piece, sturdy polymer construction is extremely safe for dishes, easy to clean, and is resistant to cracking, peeling or chipping.
- Unique design allows for transport of glass racks.

Sanitary:

- Smooth, rounded corners and seamless cart surfaces eliminate cracks and crevices and simplify cleaning.
- Built-in drain holes promote cleanability and eliminates the possibility of water build up.
- Dishes are stored 12” (305mm) above the floor surface, minimizing dust and water marks from floor dirt and splashing.
- Included translucent vinyl cover protects clean dishes from dust and water splashes while in storage and allows workers to view contents without removing the cover.
- NSF Listed.

Microban® Antimicrobial Product Protection**:

- Cart body has built-in *Microban® Antimicrobial Product Protection which inhibits the growth of bacteria, mold, mildew, and fungi that cause odors, stains, and product degradation.

**Not sold in Canada

*Microban® and the Microban® symbol are registered trademarks of the Microban Products Company, Huntersville, NC.

All Metro Catalog Sheets are available on our website: www.metro.com



9 Column Models —
PCD5 and PCD79



Column Models —
PCD8, PCD9, PCD11
and PCD124



InterMetro Industries Corporation
 North Washington Street, Wilkes-Barre, PA 18705
 Product Information. U.S. and Canada: 1.800.992.1776
 Outside U.S. and Canada: www.metro.com/contactus

L02-102
Printed in U.S.A. Rev. 1/24

Information and specifications are subject to change without notice. Please confirm at time of order.

Copyright © 2024 InterMetro Industries Corp.



Fixed Polymer “Poker Chip” Dish Dolly — PCD Series

16.23

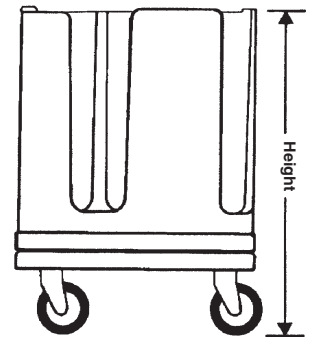
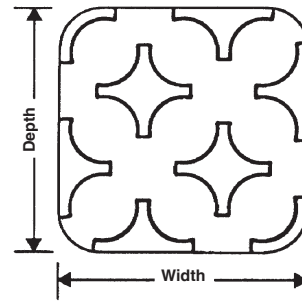
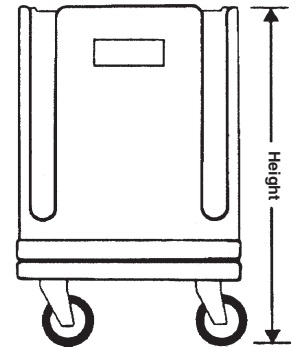
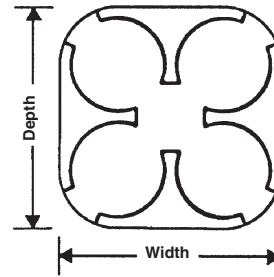


We put space to work.

Fixed Polymer “Poker Chip” Dish Dolly — PCD Series

Specifications

- **Material:** High-density polymer containing Microban Antimicrobial product protection.
- **Construction:** Seamless, molded polymer construction, equipped with handgrips on all four sides.
- **Casters:** Four B5DN swivel casters (two with brakes). Ball bearing swivel; ball bearing axle. Nickel-plated, pre-lubricated casters with neoprene tires. Casters are bolted to an internal metal support plate.
- **Protective Cover:** Standard heavy-duty 6-mil



Dimensions & Capacities

Model No.	Height		Width/Depth		Dish Columns Per Unit	Approx. Dishes Per Column*	Approx. Dishes Per Unit*	Maximum Dish Diameter		Approx. Pkg. Wt.			
	(in.)	(mm)	(in.)	(mm)				Round (in.)	Square (mm)	(lbs.)	(kg)		
PCD5	31 ¹⁵ / ₁₆	812	24 ¹ / ₁₆	612	9	40-60	360-540	5 ⁵ / ₈	145	4 ¹ / ₄	108	61	27.7
PCD7	31 ¹⁵ / ₁₆	812	27 ¹³ / ₁₆	707	9	40-60	360-540	6 ⁷ / ₈	175	5	127	72	32.7
PCD8	31 ¹⁵ / ₁₆	812	21 ¹ / ₂	547	4	60	240	8 ¹ / ₄	210	6	153	51	23.1
PCD9	31 ¹⁵ / ₁₆	812	23 ¹⁵ / ₁₆	609	4	60	240	9 ¹ / ₂	240	6 ⁷ / ₈	175	56	25.4
PCD11	31 ¹⁵ / ₁₆	812	26 ¹⁵ / ₁₆	685	4	60	240	11	280	8	204	65	29.5
PCD12	31 ¹⁵ / ₁₆	812	30 ¹ / ₈	766	4	60	240	12 ⁵ / ₈	320	9 ¹ / ₈	232	70	31.9

*Loading capacity dependent upon china shapes and thickness.

Accessories

Model No.	Description
PCDV5	Additional Cover for PCD5
PCDV7	Additional Cover for PCD7
PCDV8	Additional Cover for PCD8
PCDV9	Additional Cover for PCD9
PCDV11	Additional Cover for PCD11
PCDV12	Additional Cover for PCD12



WARNING: Clear cover can expose you to chemicals, including DEHP, which are known to the State of California to cause cancer, birth defects and other reproductive harm. For more information, go to www.P65Warnings.ca.gov.

an Ali Group Company



The Spirit of Excellence