

**INSTRUCTIONS FOR USE
MODE D'EMPLOI
INSTRUCCIONES DE USO**



qwikSIGHT™ BASKET SUPPLY SYSTEM



DESCRIPTION

Metro qwikSIGHT™ – Part Descriptions, Weight Capacities, Caster Maintenance, Single Starter Configuration, Preparing Basket Assembly, Installation of Basket Assembly on Frame, Installation of Slanted Basket Assembly from Horizontal Position, Double Starter Configuration, Add-on Configuration and Accessories.

Part No.	Description	Part No.	Description
QB74L	74" Height L-Frame, Single Side	QB03D	3" Long Divider (hook)
QB74T	74" Height T-Frame, Double Side	QB06D	6" Long Divider (hook)
QB18F	18" Long Frame Bar with Hardware	QB18D	18" Long Divider (snap)
QB36F	36" Long Frame Bar with Hardware	QB36LHC	36" Long Label Holder, Clear
QB48F	48" Long Frame Bar with Hardware	QB03LHBL	3" Long Label Holder, Blue
QB1818C	18" Bottom Cover	QB03LHCL	3" Long Label Holder, Clear
QB1836C	36" Bottom Cover	QB03LHGR	3" Long Label Holder, Green
QB1848C	48" Bottom Cover	QB03LHOR	3" Long Label Holder, Orange
QB4B	4" Diameter Brake Caster	QB03LHPK	3" Long Label Holder, Pink
C05-1198	Metro qwikSIGHT Branding Label	QB03LHRD	3" Long Label Holder, Red
QB1236B	12" Depth x 36" Long Basket with Brackets	QB03LHYL	3" Long Label Holder, Yellow
QB1836B	18" Depth x 36" Long Basket with Brackets		

CAUTION: WEIGHT CAPACITY

Maximum capacities are based on evenly distributed load.
 Shelf can hold up to 100 lbs. (45kg) evenly distributed.
NEVER exceed 500 lbs. (227kg) of evenly distributed load on any stationary unit.
NEVER exceed 375 lbs. (170kg) of evenly distributed load on any mobile unit.

MAINTENANCE

Regularly inspect this product. Tighten loose fasteners and replace worn or damaged parts with new InterMetro approved parts. For mobile units, regularly inspect casters and replace worn or damaged casters immediately; lubricate casters regularly (if equipped with grease fittings).

MISE EN GARDE : CAPACITÉ DE POIDS

Les capacités maximales sont basées sur une charge uniformément répartie.
 Une étagère peut supporter jusqu'à 45kg (100 lbs.) uniformément répartis.
 Le poids ne doit **JAMAIS** dépasser 227kg (500 lbs.) (charge répartie uniformément sur une unité stationnaire).
 Le poids ne doit **JAMAIS** dépasser 170kg (375 lbs.) (charge répartie uniformément sur une unité mobile).

MAINTENANCE

Inspecter régulièrement ce produit. Resserrer les attaches mal fixées et remplacer les pièces usées ou endommagées par des pièces neuves approuvées par InterMetro. Inspecter régulièrement les roulettes des unités mobiles et remplacer immédiatement les roulettes usées ou endommagées; lubrifier régulièrement les roulettes (si elles sont équipées de graisseurs).

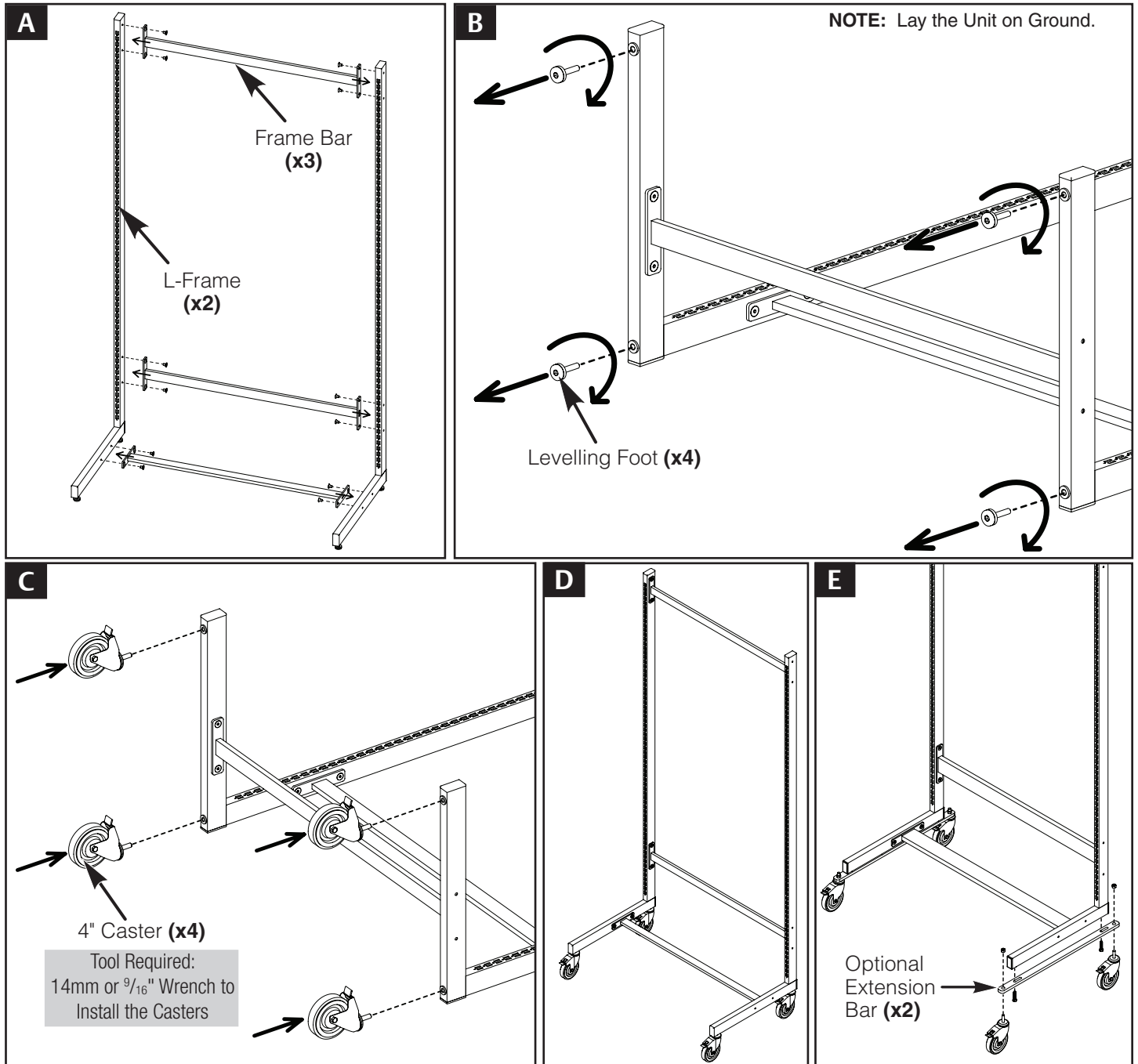
MISE EN GARDE : CAPACITÉ DE POIDS

Las capacidades máximas se basan en una carga bien distribuida.
 El estante puede sostener un máximo de 100 lb (45kg) distribuidos de forma uniforme.
NUNCA exceda 227kg (500 lbs.) de carga bien distribuida en cualquier unidad inmóvil.
NUNCA exceda 170kg (375 lbs.) de carga bien distribuida en cualquier unidad móvil.

MANTENIMIENTO

Inspeccione regularmente este producto. Apriete los afianzadores flojos y cambie las piezas desgastadas o dañadas por piezas InterMetro homologadas. En el caso de las unidades móviles, inspeccione las ruedas con regularidad y reemplace las ruedas desgastadas o dañadas inmediatamente; lubrique las ruedas con regularidad (si llevan engrasadores).

SINGLE STARTER CONFIGURATION - STATIONARY TO MOBILE FRAME



PREPARING BASKET ASSEMBLY (12" and 18" Depth)

Horizontal Basket - Position 1
NOTE: Adjust square bracket to properly seat its four flanges on wires.

RIGHT SIDE VIEW
 (Diagram showing bracket positions 1, 2, 3 on the right side of the basket)

LEFT SIDE VIEW
 (Diagram showing bracket positions 1, 2, 3 on the left side of the basket)

Top screw mounting location on basket: 2nd grid from rear and 3rd grid from top.

Bottom screw mounting location on basket (Same for Positions 2 and 3): 2nd grid from rear and 2nd grid from bottom.

Slanted Basket - Position 2
Top screw mounting location on basket: 2nd grid from rear and 3rd grid from top.

Location on Basket to Mount Right and Left Hanging Plates

RIGHT SIDE VIEW
 (Diagram showing 10° slant and bracket positions 1, 2, 3)

LEFT SIDE VIEW
 (Diagram showing 10° slant and bracket positions 1, 2, 3)

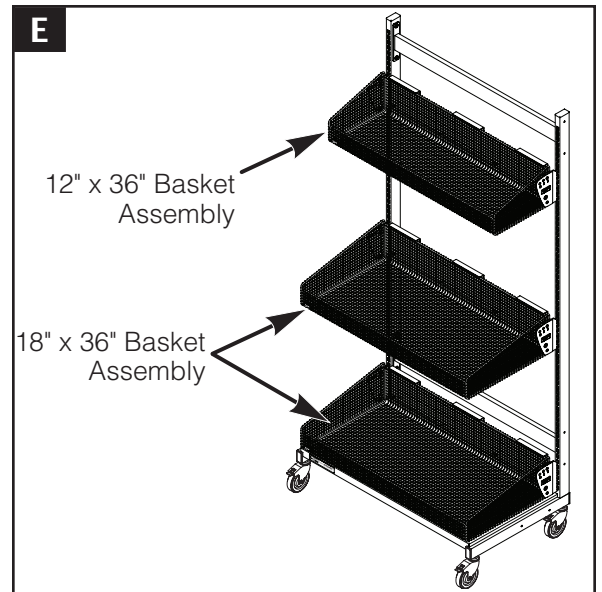
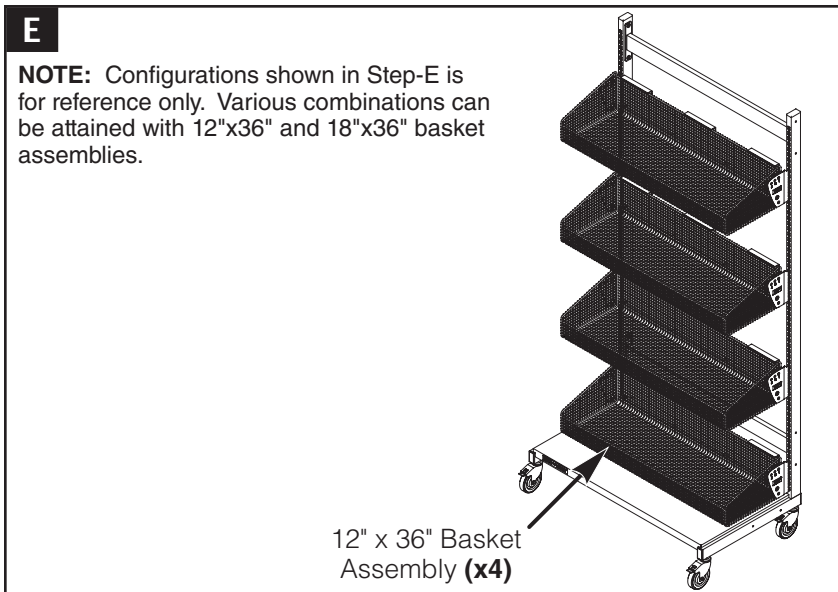
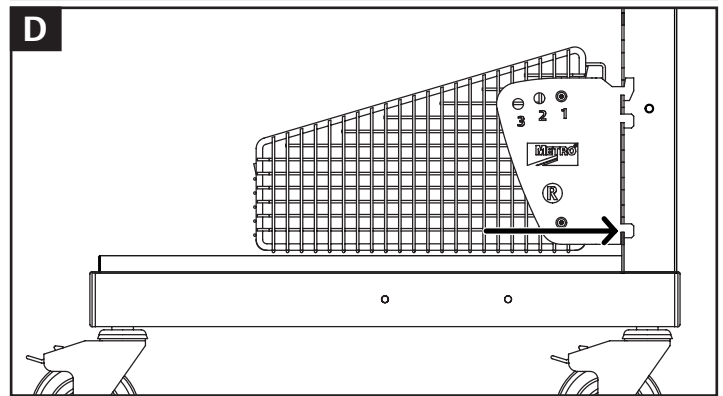
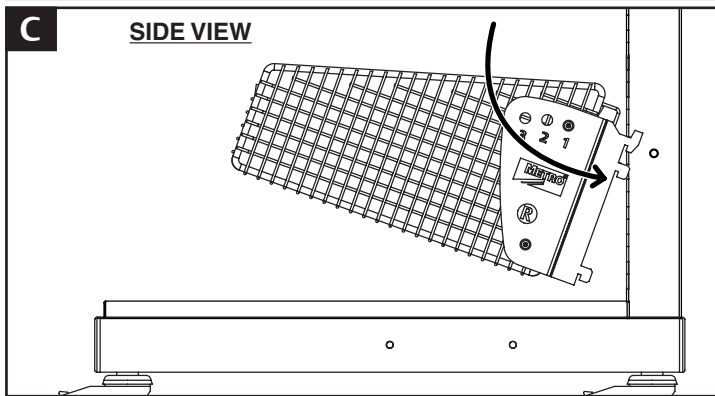
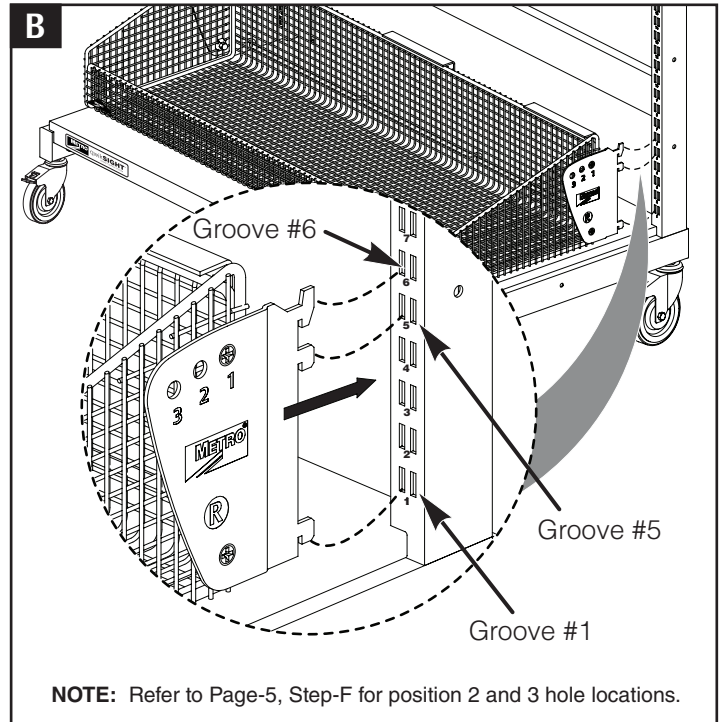
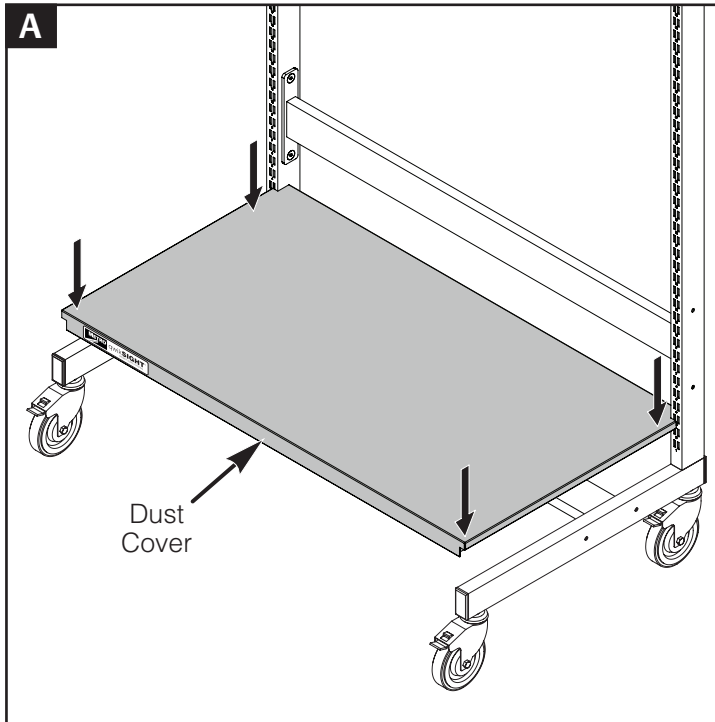
Slanted Basket - Position 3
Top screw mounting location on basket: 3rd grid from rear and 3rd grid from top.

Location on Basket to Mount Right and Left Hanging Plates

RIGHT SIDE VIEW
 (Diagram showing 13° slant and bracket positions 1, 2, 3)

LEFT SIDE VIEW
 (Diagram showing 13° slant and bracket positions 1, 2, 3)

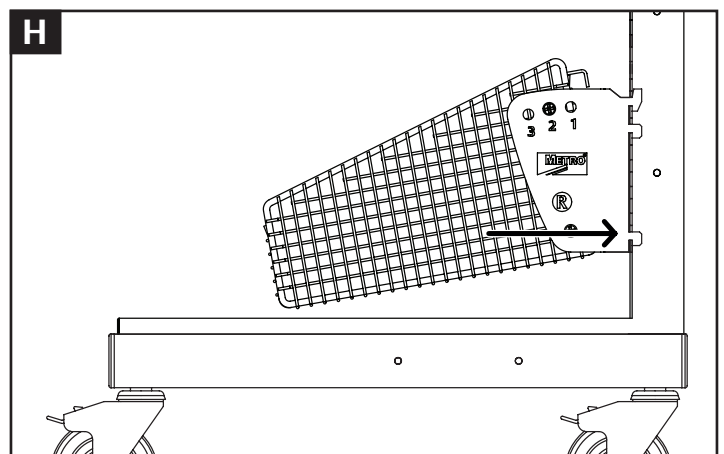
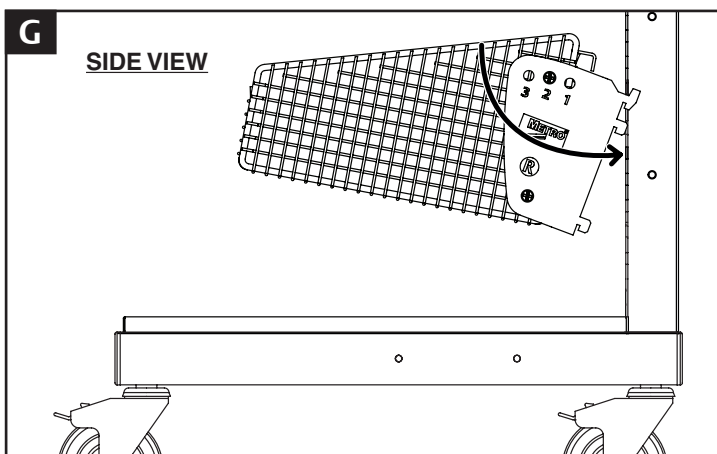
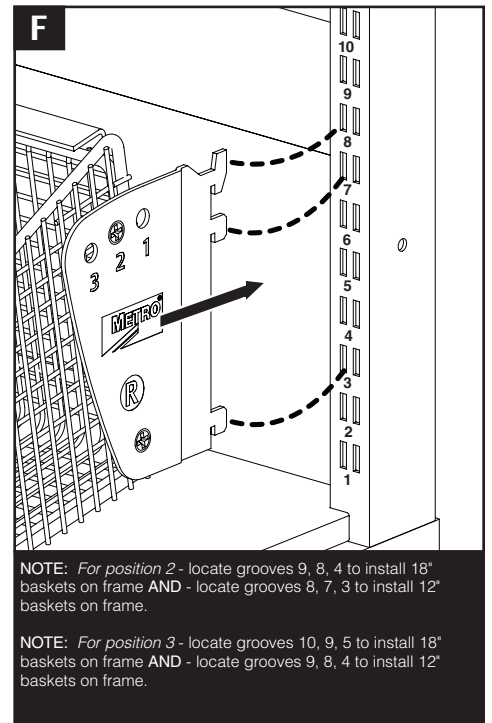
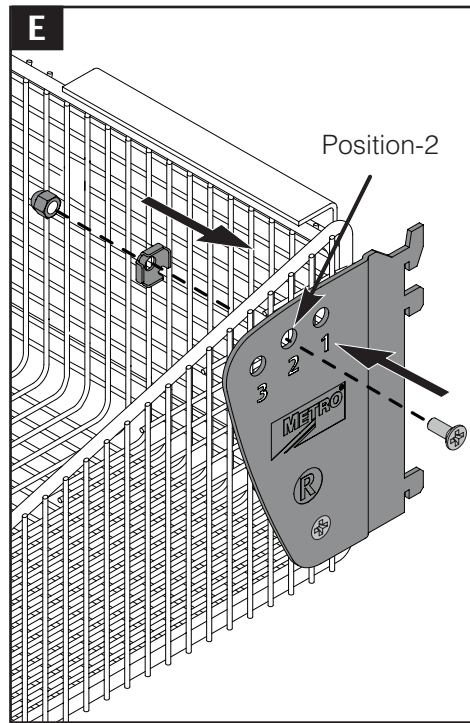
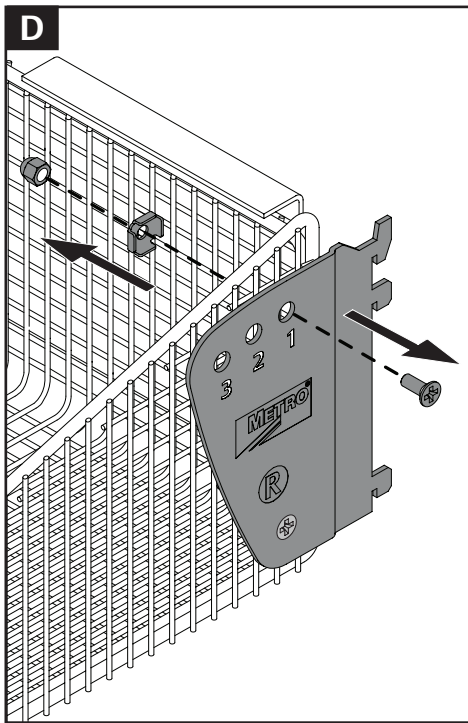
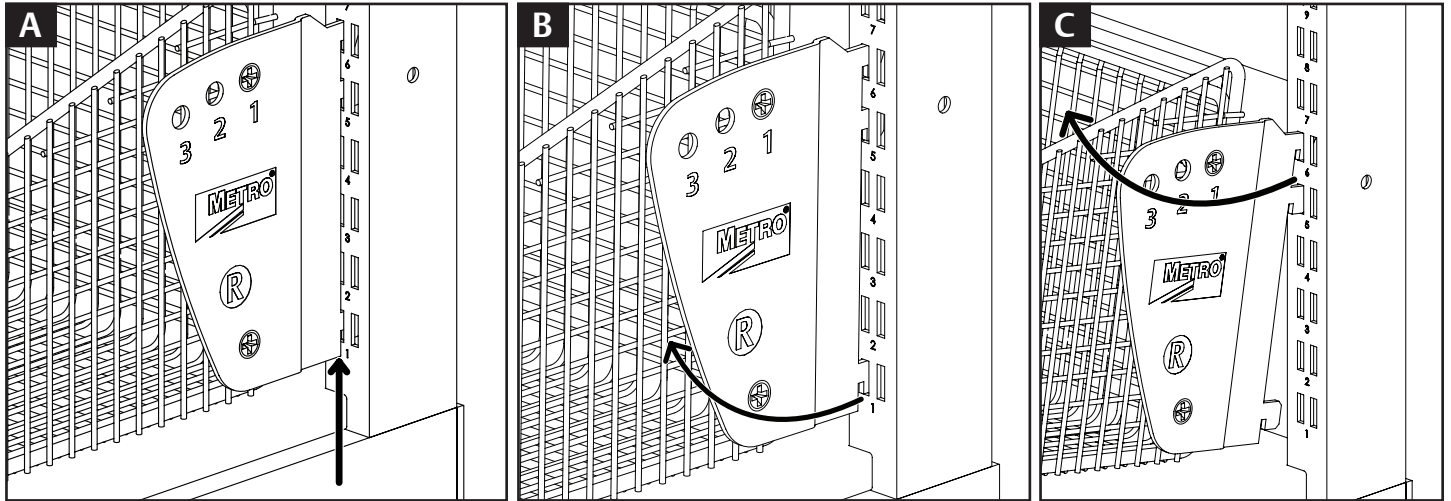
INSTALLATION OF BASKET ASSEMBLY ON FRAME



INSTALLATION OF SLANTED BASKET ASSEMBLY FROM HORIZONTAL POSITION

CAUTION:

Empty basket before changing the position.

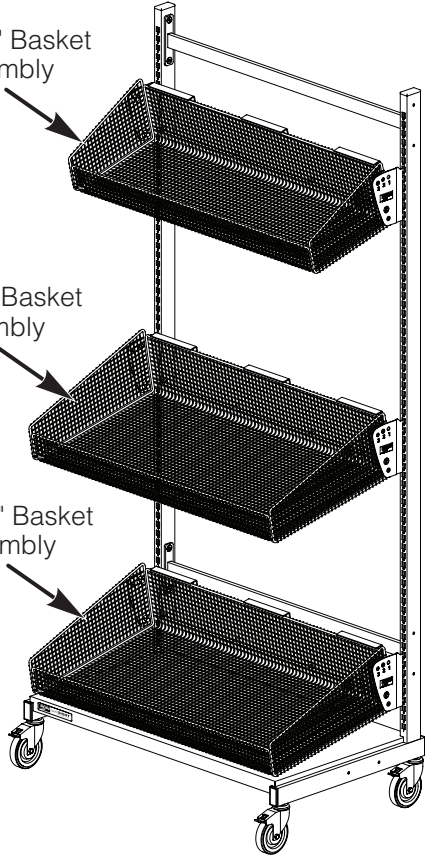


I **NOTE:** Configurations shown below are for reference only. Various combinations can be attained with 12"x36" and 18"x36" basket assemblies.

12" x 36" Basket Assembly

18" x 36" Basket Assembly

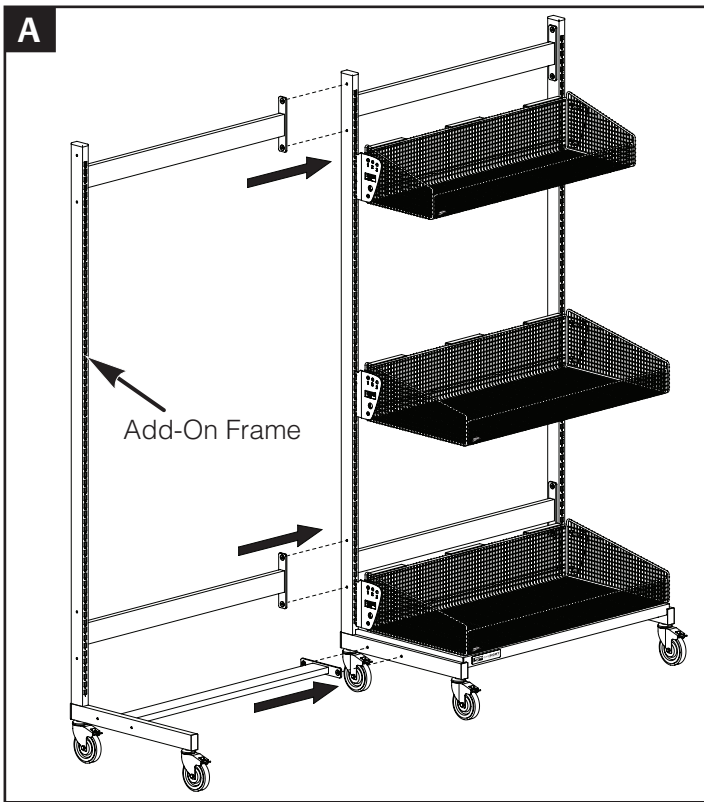
18" x 36" Basket Assembly



DOUBLE STARTER CONFIGURATION

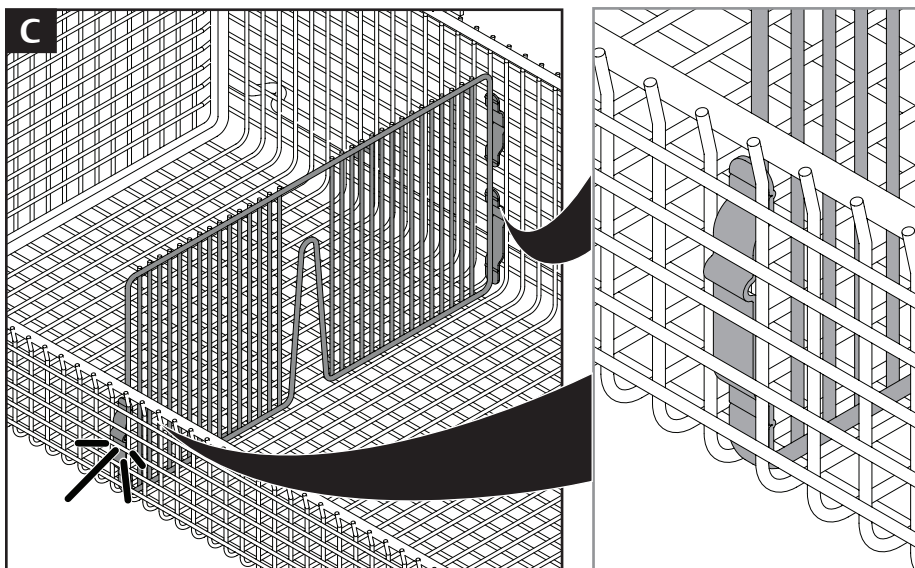
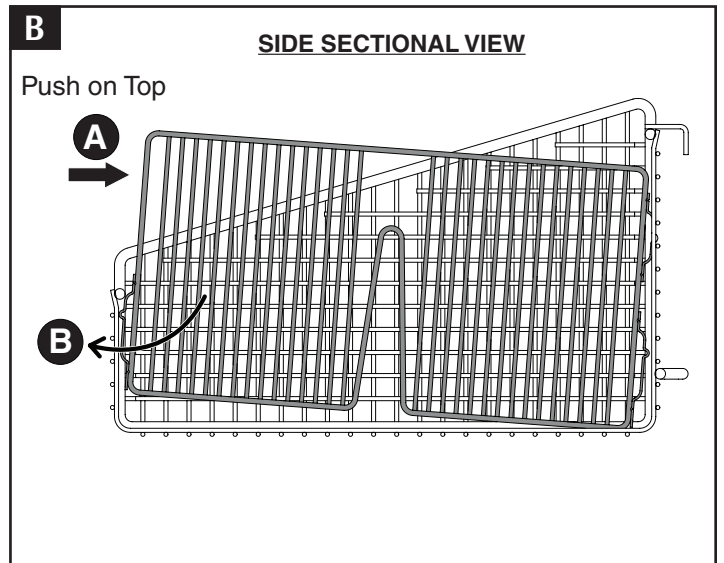
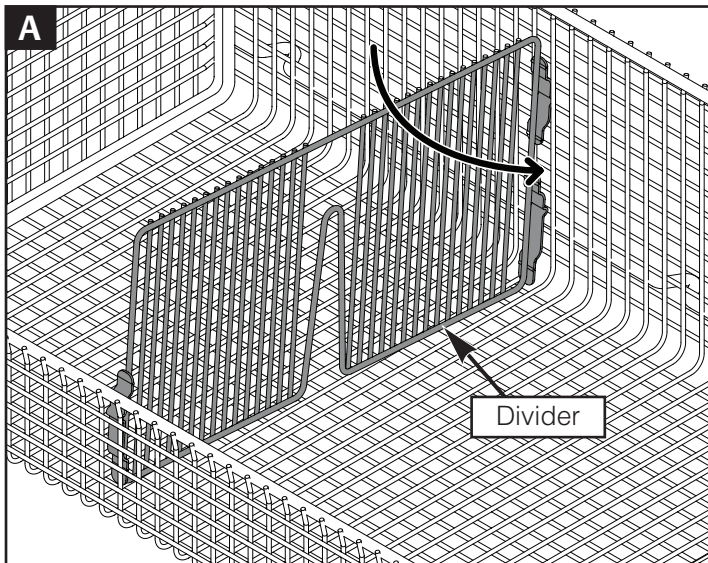


ADD-ON CONFIGURATION

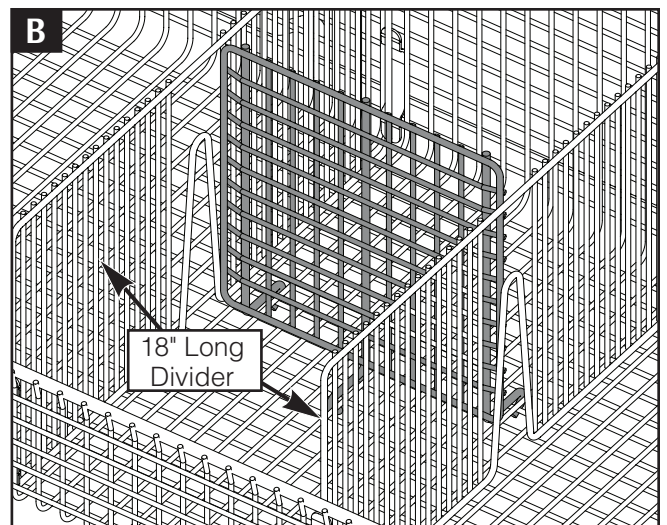
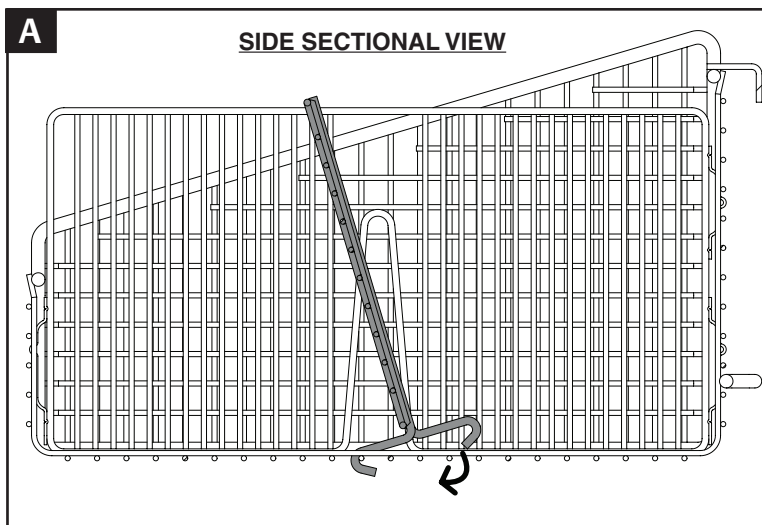


ACCESSORIES

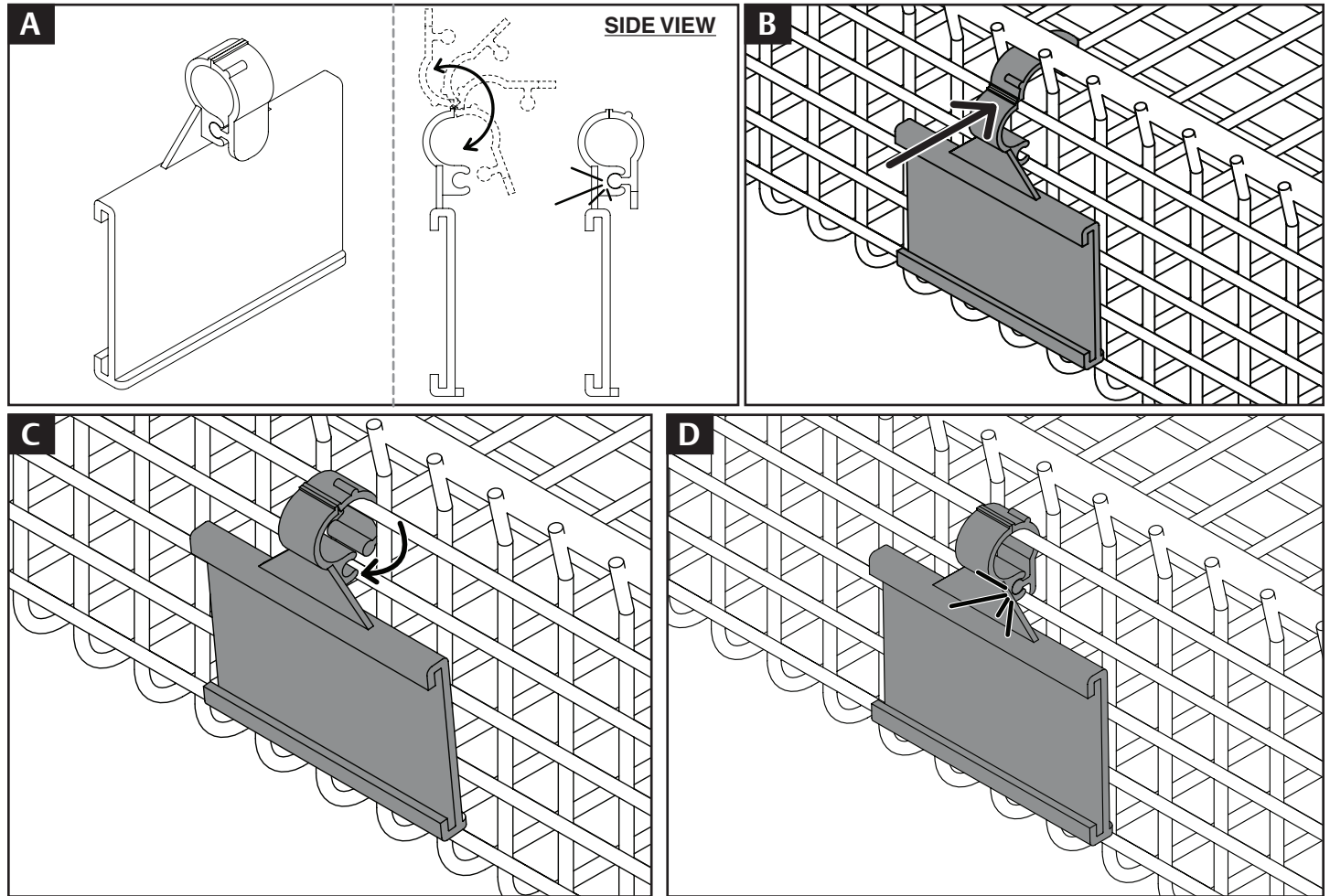
12"/18" Long Divider



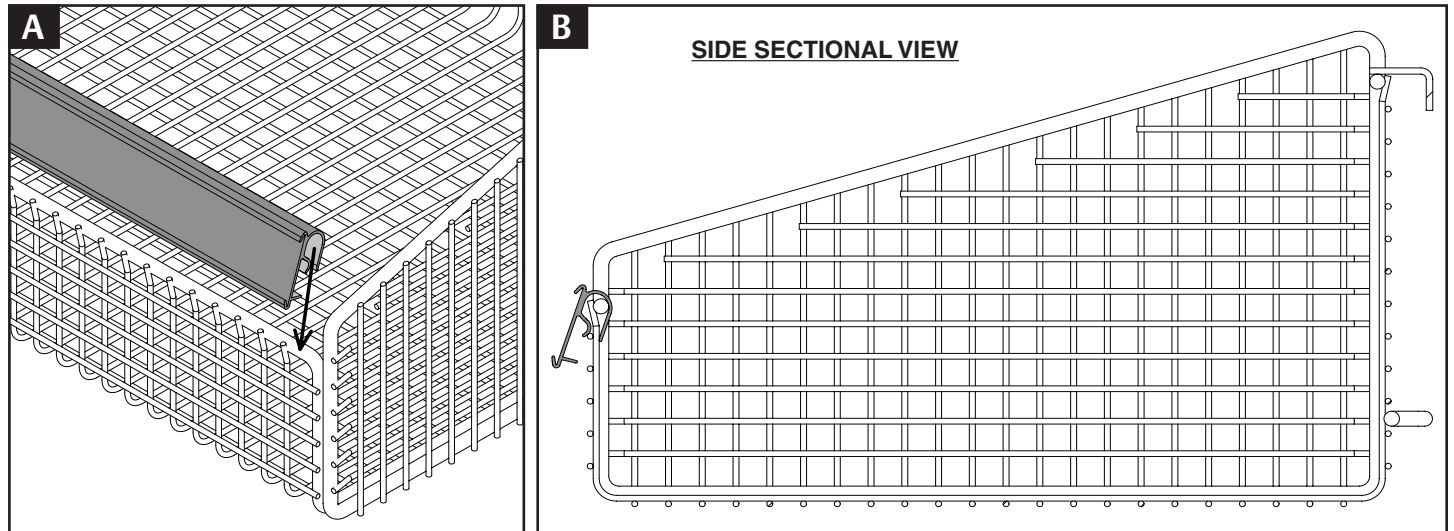
3"/6" Long Divider



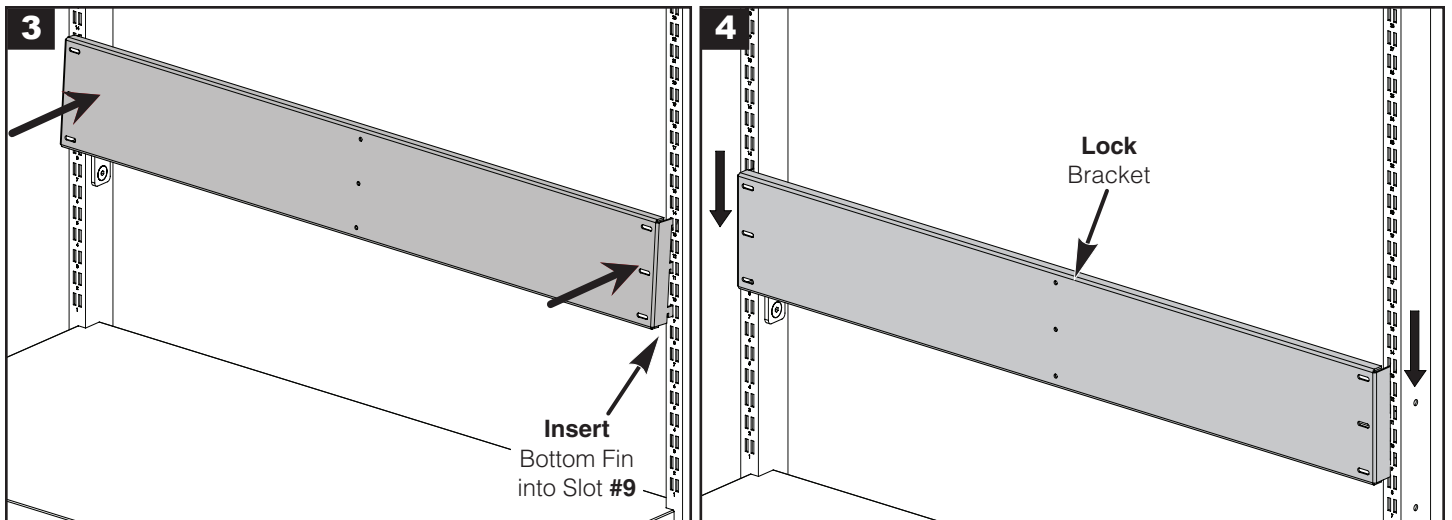
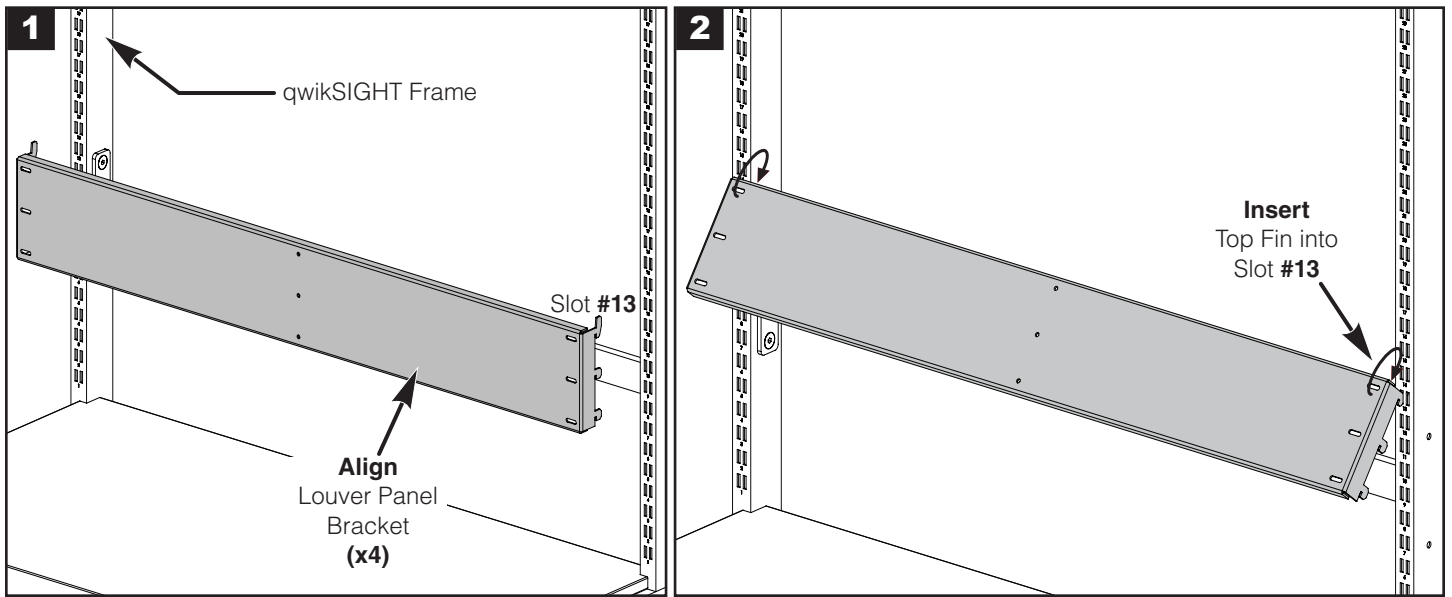
3" Long Label Holder



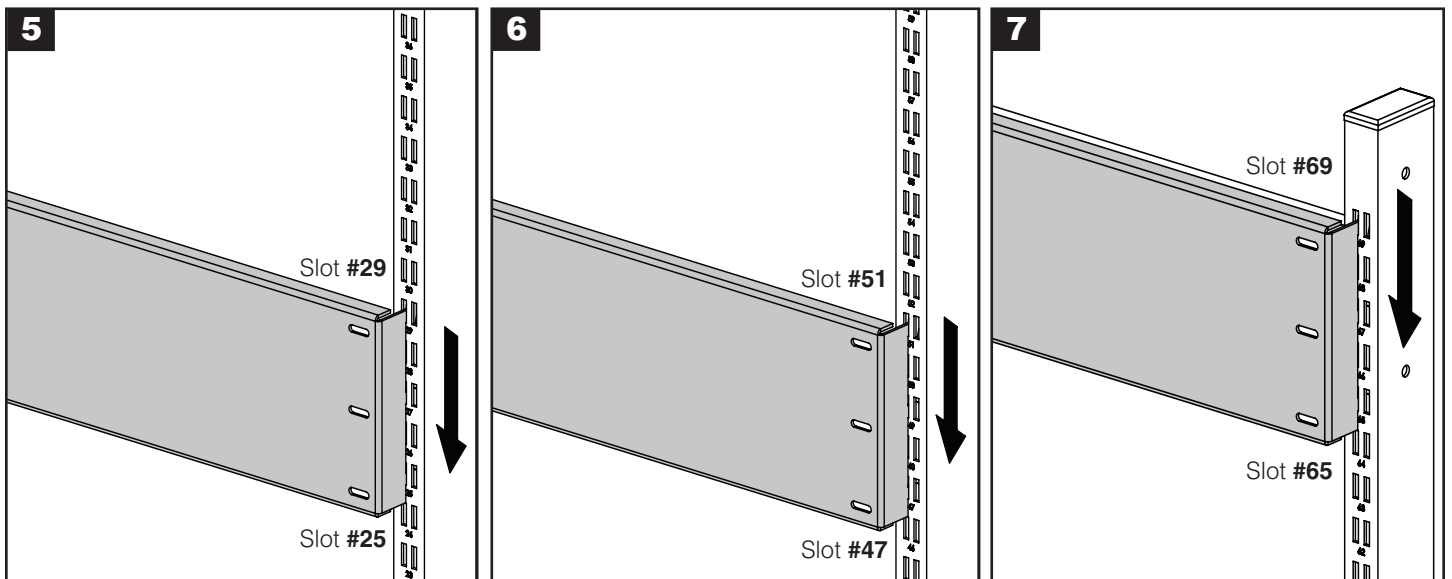
3"/6" Long Label Holder (Clear)

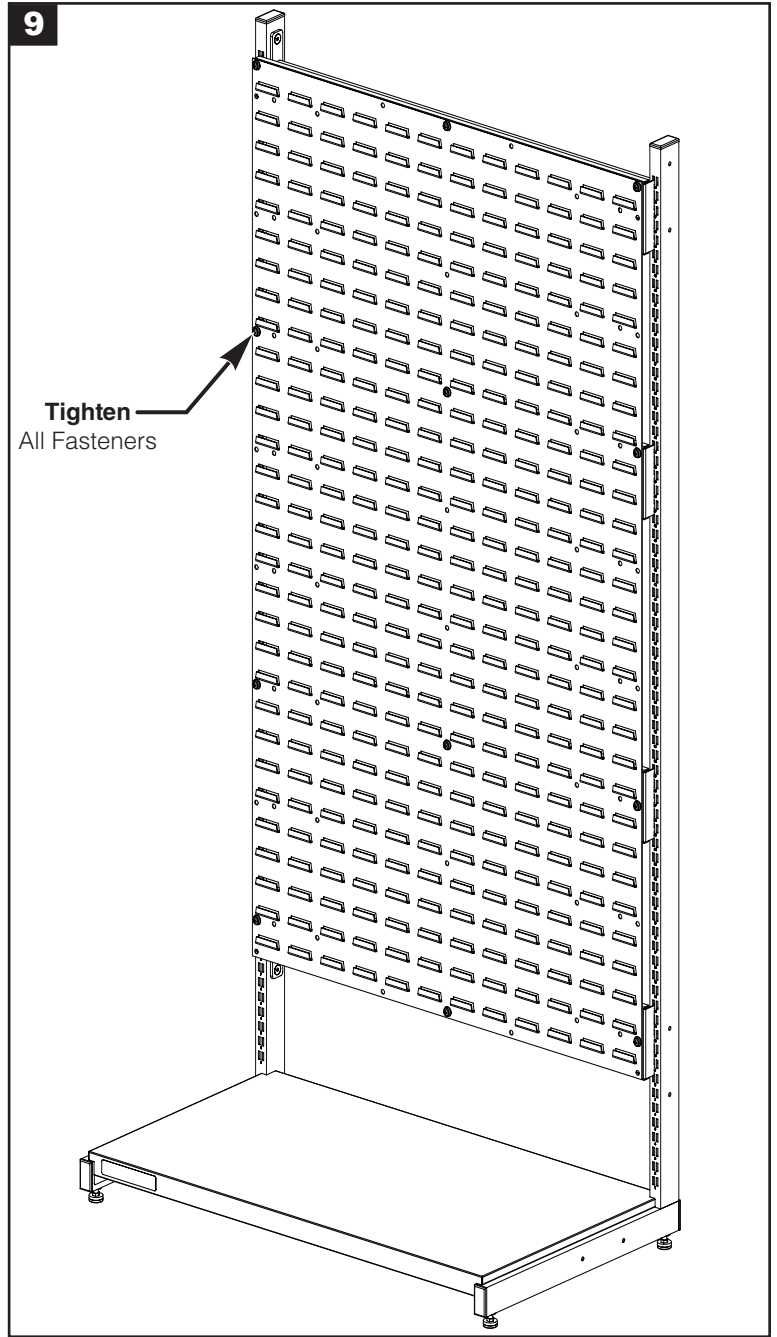
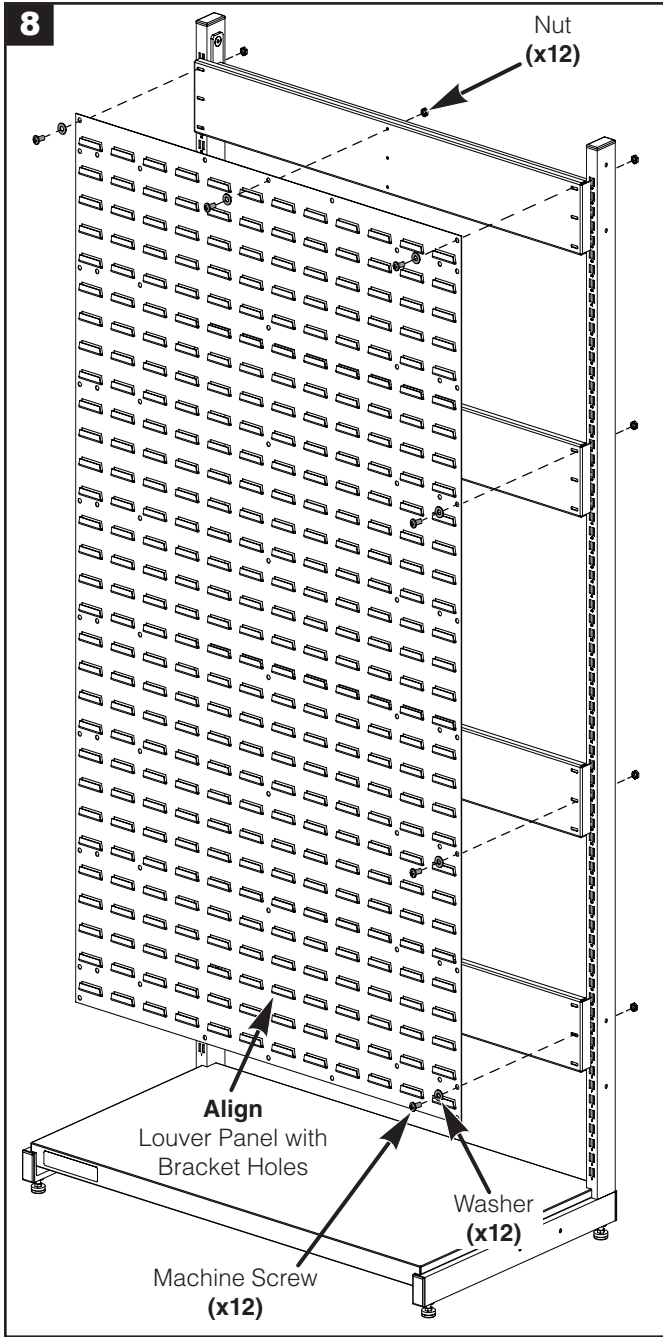


Installation of 61" Louver Panels



NOTE: Repeat **Step #1** to **Step #4**, to install other 3 Louver Panel Brackets.

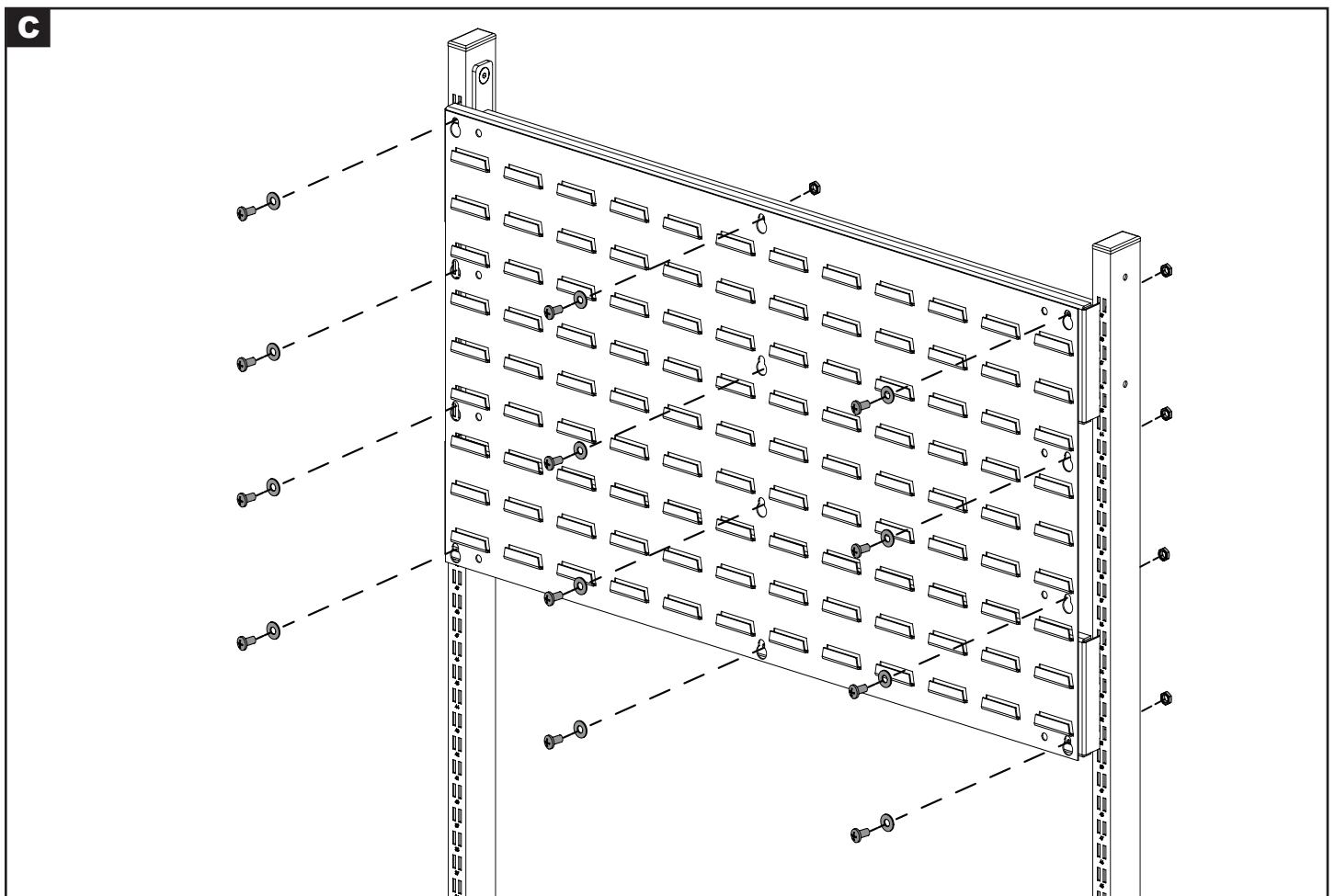
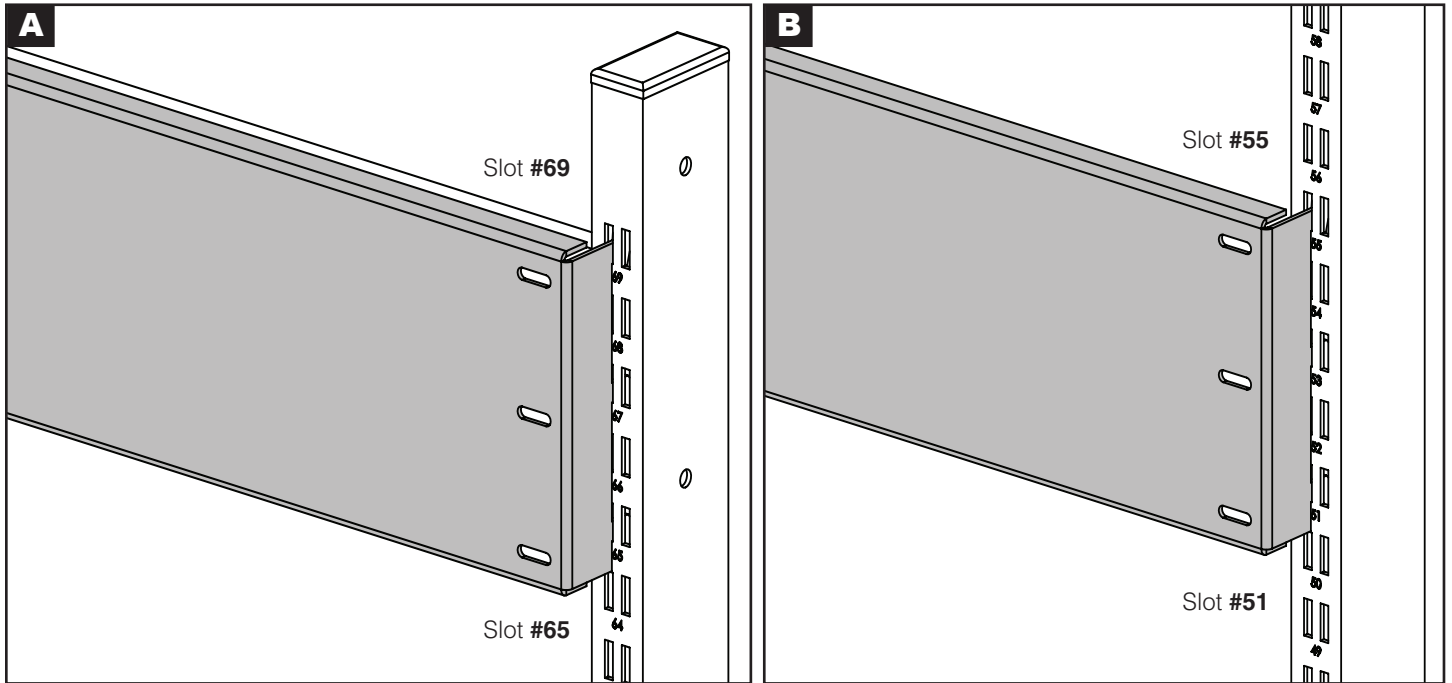




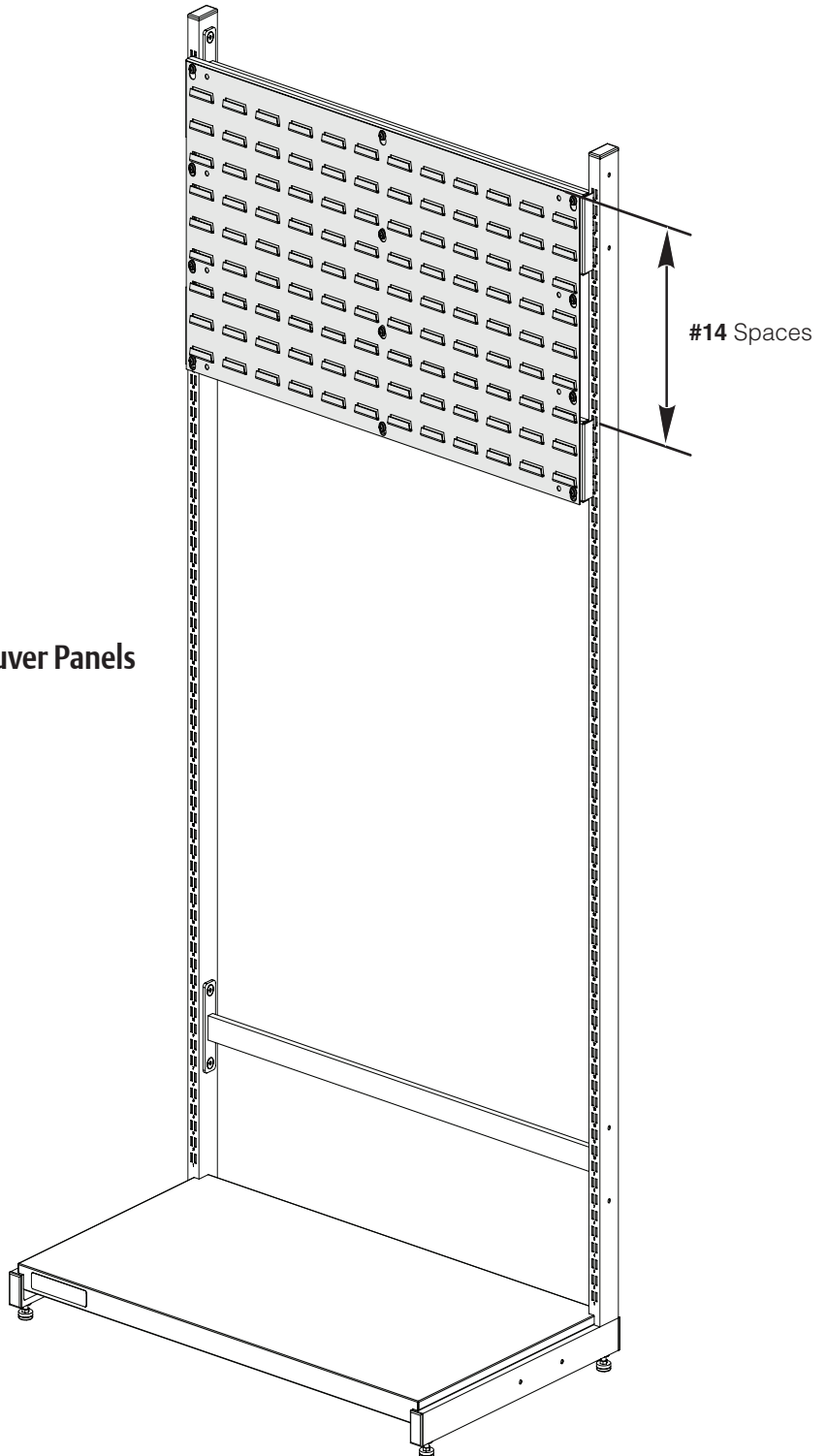
This Completes Assembly of The 61" Louver Panels

Installation of 19" Louver Panels

NOTE: Only 2 panel brackets are used for 19" Short Louver Panel. Repeat Step #1 to Step #4, to install other panel bracket. Top bracket fins to be 14 spaces apart.



D



This Completes Assembly of The 19" Louver Panels

* Save this document for future application, load rating and/or safety reference.

* Conserver ce document pour une utilisation ultérieure, pour vérifier la capacité de charge et pour consulter la référence de sécurité.

* Conserve este documento en caso de que lo necesite en aplicaciones futuras, especificaciones de carga y/o por consultas de seguridad.

US/Can: 1.800.992.1776
Corporate Headquarters (US): 1.570.825.2741
For Inquiries Outside of the U.S. and Canada,
Visit www.metro.com/contactus

États-Unis/Canada : 1.800.992.1776
Siège social (États-Unis) : 1.570.825.2741
Pour toute demande de renseignements à l'extérieur des États-
Unis et du Canada, visiter le site www.metro.com/contactus

EE. UU./Can: 1.800.992.1776
Sede central (EE. UU.): 1.570.825.2741
Para consultas desde fuera de los EE. UU. y Canadá,
visite: www.metro.com/contactus

