

CARBOY MIXERS

Bioprocess Mixing & Blending

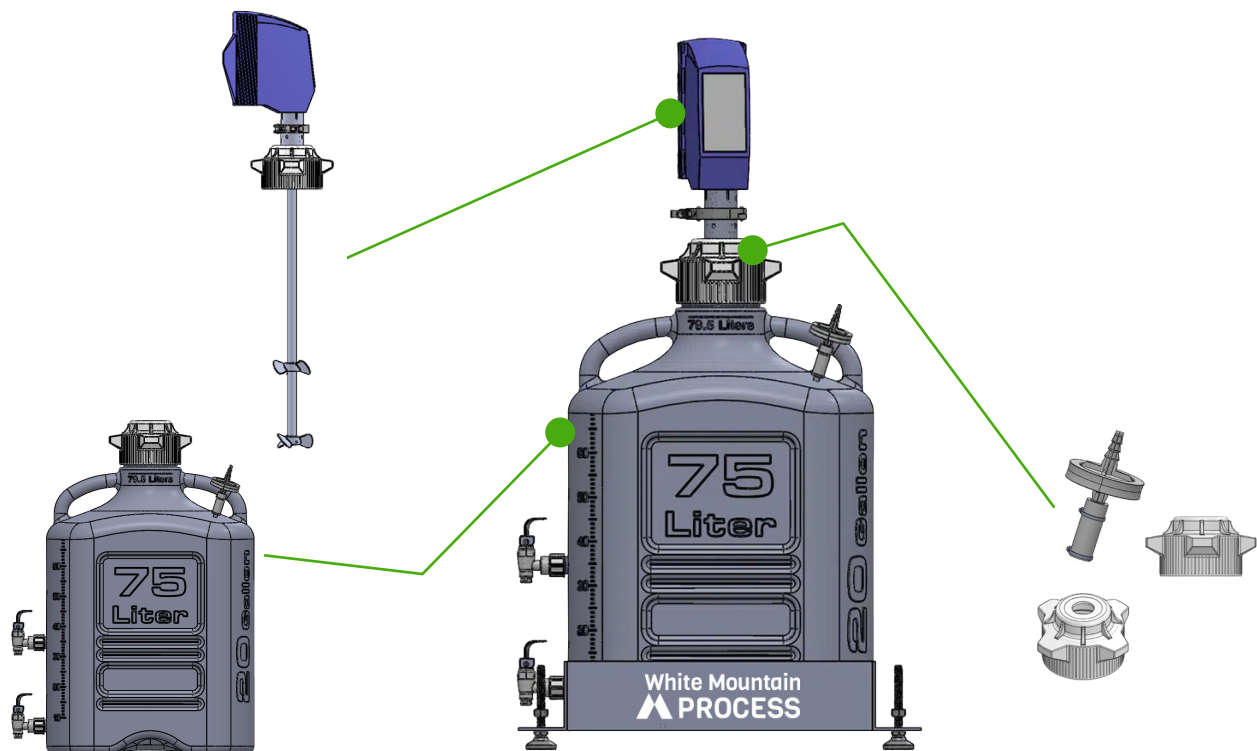


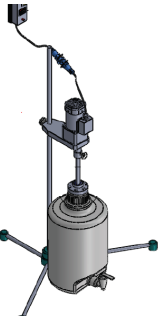
Carboy mixers are a powerful tool for those in biotech and pharmaceutical industries. They are designed to efficiently mix and blend liquids for tasks like cell culturing, buffer prep, and media preparation. These mixers come ready to use with a standard connection and sanitary seal, and can be customized to fit specific needs.

Options Available:

- *Autoclavable mixer design, removable agitator motor*
- *USP VI mixer housing, or polished stainless steel*
- *cGMP documents including FDA, USP VI, and MTRs on polished stainless*
- *Electropolish and passivation, profilometer readings and map*
- *USP VI PTFE and PP agitator shaft and impeller optional*
- *USP VI PP poly mixtank and Stainless process vessels assistance as required*
- *We can replace any existing bio mixer drive or housing*
- *Biopharma ready mechanical seal for any shaft size and all documentation included*
- *RoHS motor, various speed ranges, and speed controller options including PLC control*

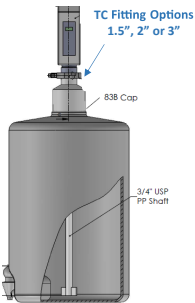
Customizable Design to Meet Your Specific Needs





Electric:

- *Model: WMP-CBM-90W-QDP-1-2.5*
- *90Watt AC motor with VFD, quick disconnect pin on shaft, seal and 83B cap for carboy. Accessories include stand, VFD package, carboy, disposable seal assembly, shaft and impeller*



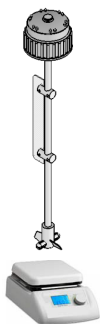
Electric:

- *Model: WMP-CBM-50W-83B-1-2.5, or Model: WMP-CBM-200W-83B-1-2.5*
- *110VAC input to 50 or 200 watt motors with built in speed control and integrated 83B cap complete with USPVI Rulon seal system. Accessories include carboy, disposable seal assembly, shaft and impeller*



Air - Intrinsically Safe:

- *Model: WMP-CBM-0.3HPA-83B-1-2.5*
- *Similar to 50 and 200 watt designs, however this option includes a 245watt SS air motor and integrated 83B cap complete with USPVI Rulon seal system. Accessories include Filter/Regulator for speed control, carboy, disposable seal assembly, shaft and impeller (316LSS, or USPVI PP)*



Magnetic Drive top Entry:

- *Model: WMP-MSM1024*
- *Magnetic carboy mixer, all poly design, single or continuous use for various cap options*
- *Magnetic stirrer drive optional*



Custom Mixing Solutions Available!

Visit our website to explore our product options or contact us for more details.